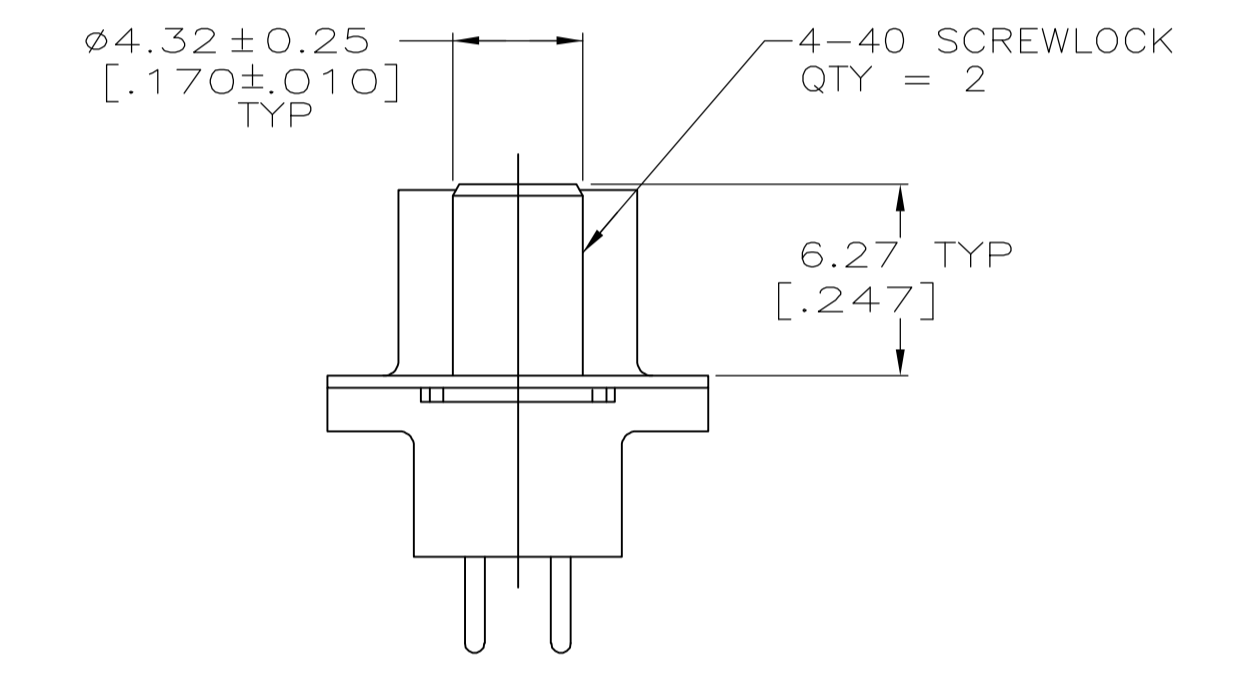
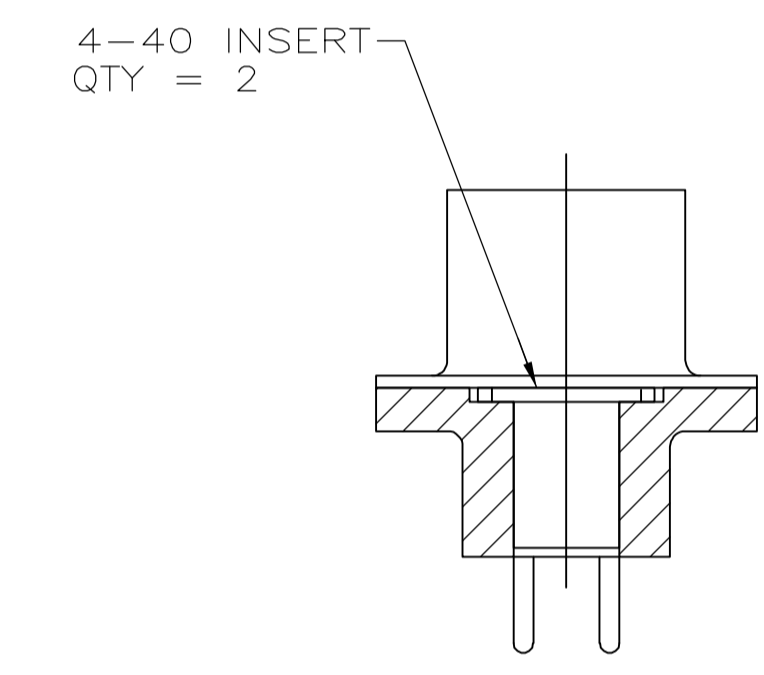
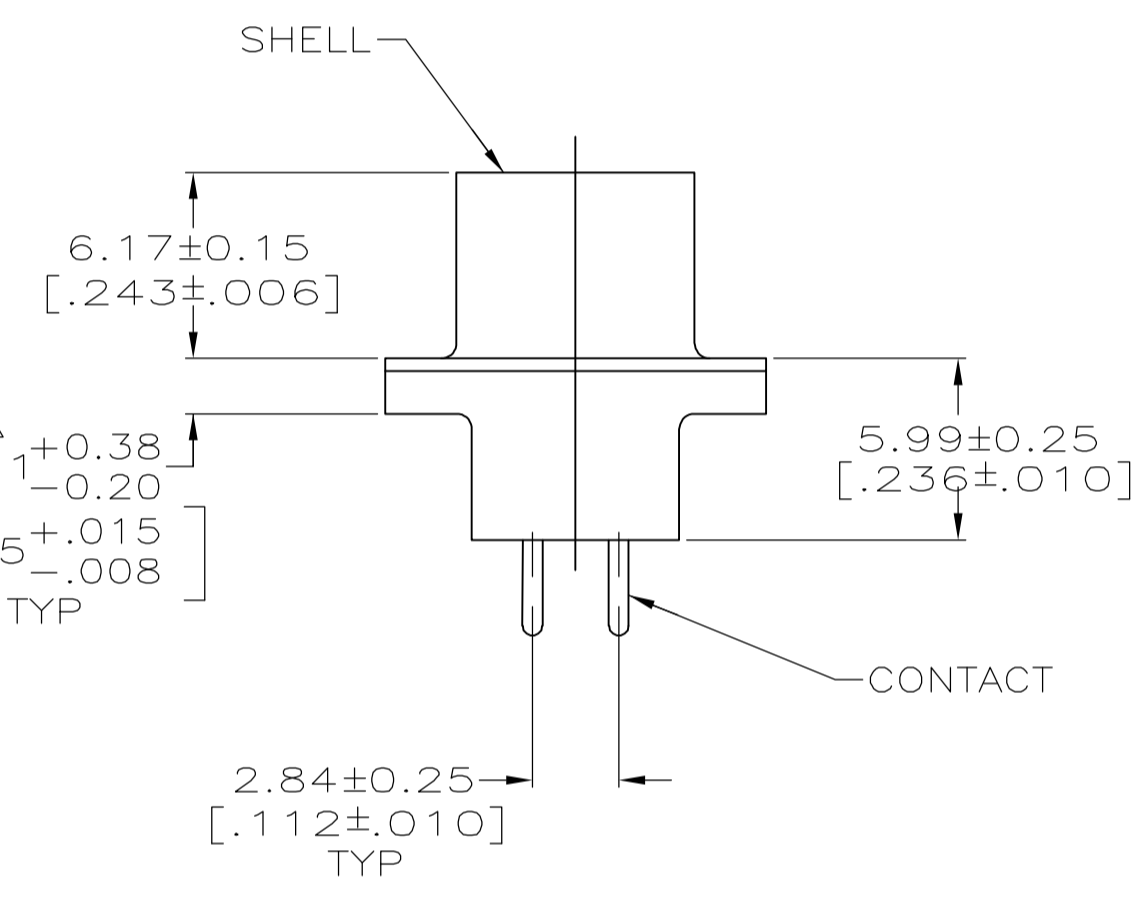
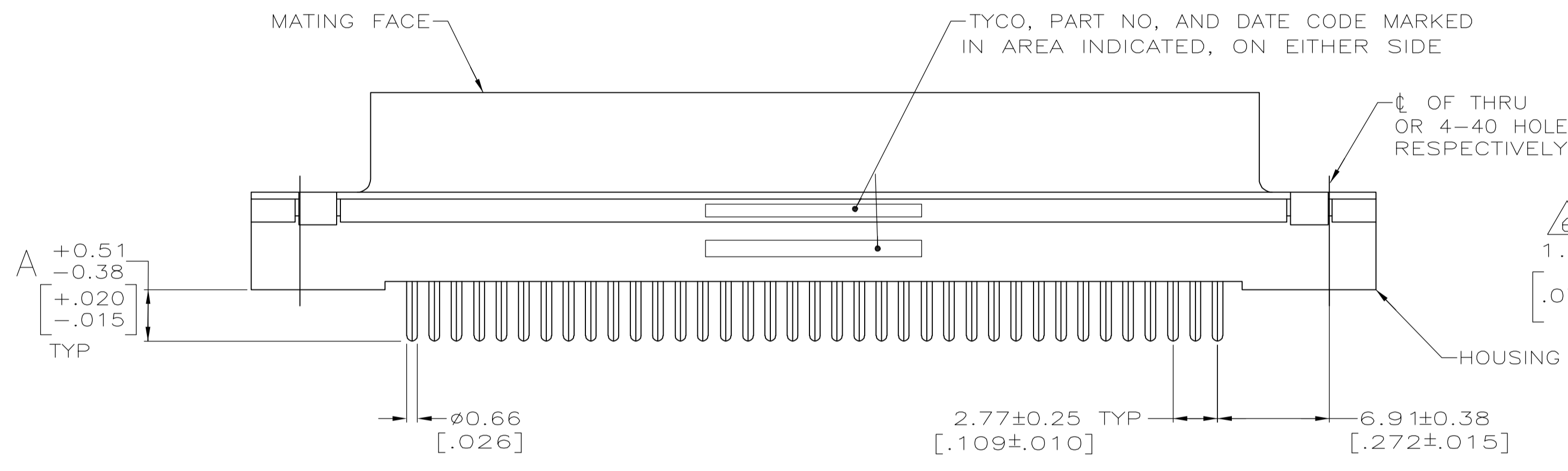
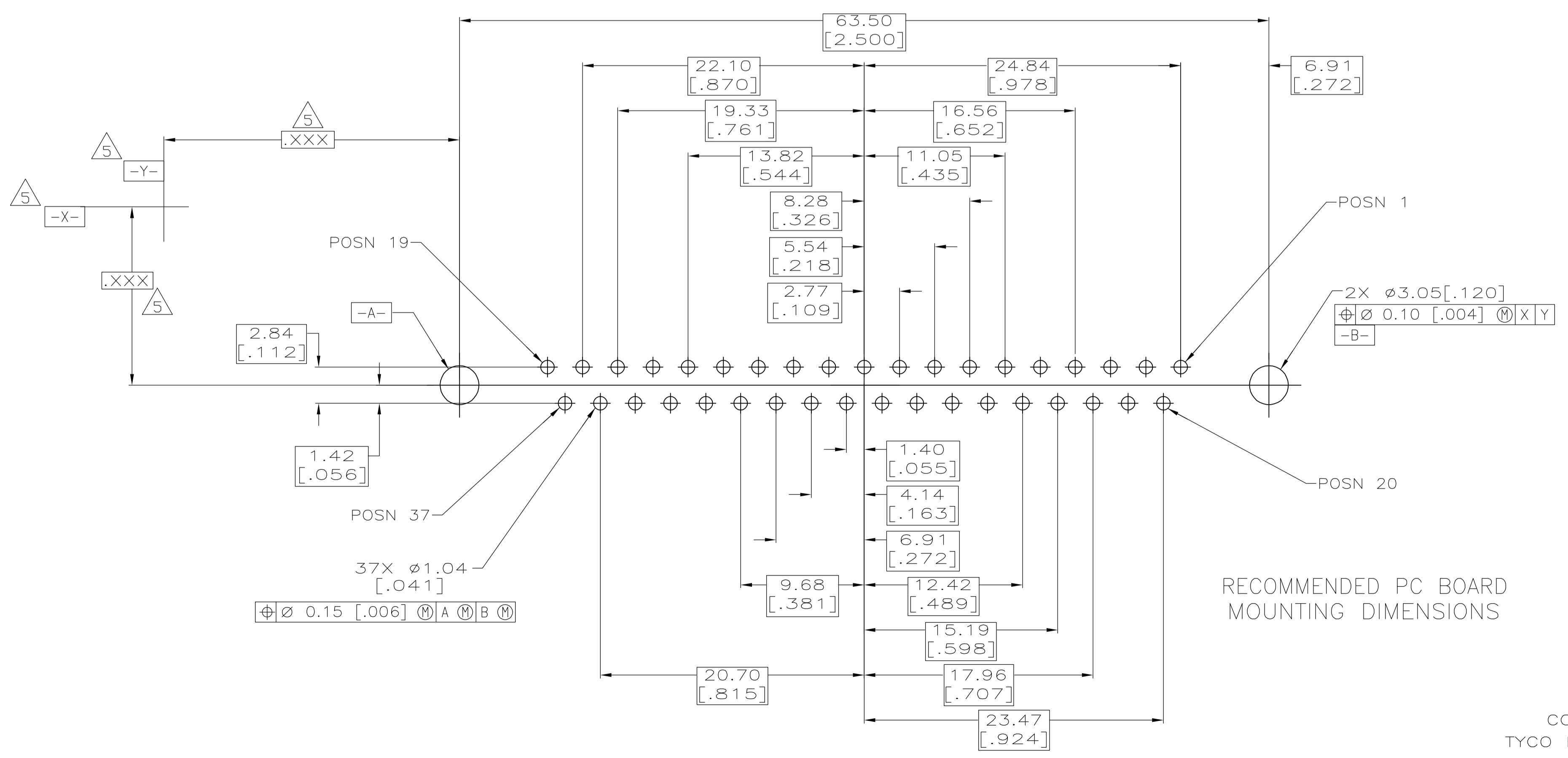


- 1 HOUSING: BLACK POLYESTER, UL 94V-0 RATED  
CONTACTS: PHOSPHOR BRONZE  
SHELL: CARBON STEEL  
SCREWLOCKS: ZINC  
INSERTS: BRASS
- 2 SHELL: 5.08µm[.000200] MIN TIN OVER 2.54µm[.000100] MIN COPPER.  
CONTACTS: SEE TABLE  
INSERTS: UNPLATED.  
SCREWLOCKS: CLEAR CHROMATE.
- 3 GOLD FLASH FOR A LENGTH OF 2.54 [.100] MIN FROM MATING END, 2.54µm[.000100] MIN TIN ON OPPOSITE END, BOTH OVER 1.27µm[.000050] MIN NICKEL.
- 4 0.76µm[.000030] MIN GOLD FOR A LENGTH OF 2.54 [.100] MIN FROM MATING END, 2.54µm[.000100] MIN TIN ON OPPOSITE END, BOTH OVER 1.27µm[.000050] MIN NICKEL.
- 5 DATUMS AND BASIC DIMENSIONS ESTABLISHED BY CUSTOMERS.
- 6 2.79 [.110] MAX IN SHELL TAB CLINCH AREAS.



DETAIL D

DETAIL E



RECOMMENDED PC BOARD MOUNTING DIMENSIONS

COPYRIGHT 2005 TYCO ELECTRONICS CORP ALL RIGHTS RESERVED

4.32 [.170]	4-40 SCREWLOCK (DETAIL E)	4	1-5747301-6
3.18 [.125]	4-40 SCREWLOCK (DETAIL E)	4	1-5747301-4
3.18 [.125]	4-40 INSERT (DETAIL D)	4	5747301-8
3.18 [.125]	4-40 INSERT (DETAIL D)	3	5747301-7
3.18 [.125]	-	4	5747301-2
A	MOUNTING HARDWARE	CONTACT FINISH	PART NO

THIS DRAWING IS A CONTROLLED DOCUMENT.		DWG: B. LATTUCA	22SEPT05	Tyco Electronics Corporation	
DIMENSIONS: mm[INCHES]		CHK: S. BOLASH	22SEPT05	Harrisburg, PA 17105-3608	
TOLERANCES UNLESS OTHERWISE SPECIFIED:		APP'D: M. WALMSLEY	22SEPT05	NAME: RECEPTACLE ASSEMBLY, SIZE 4, 37 POSN, VERTICAL, FRONT METAL SHELL, AMPLIMITE HD-20	
0 PLC	± -	PRODUCT SPEC: 108-40025		SIZE: A1	
1 PLC	± -	APPLICATION SPEC: 114-40023		CAGE CODE: 00779	
2 PLC	± 0.13 [.005]	WEIGHT: -		DRAWING NO: 5747301	
3 PLC	± -	CUSTOMER DRAWING		SCALE: 4:1	
4 PLC	± -	SHEET: 1 OF 1		REV: A	
ANGLES	± -				