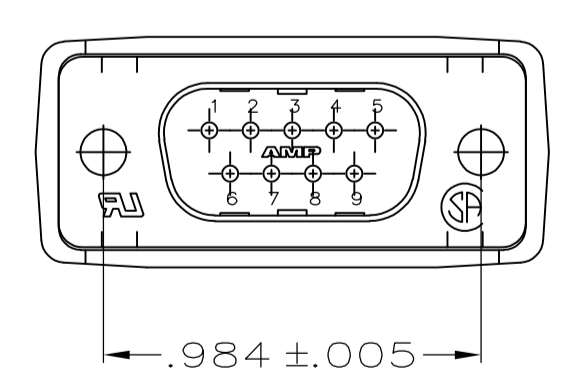
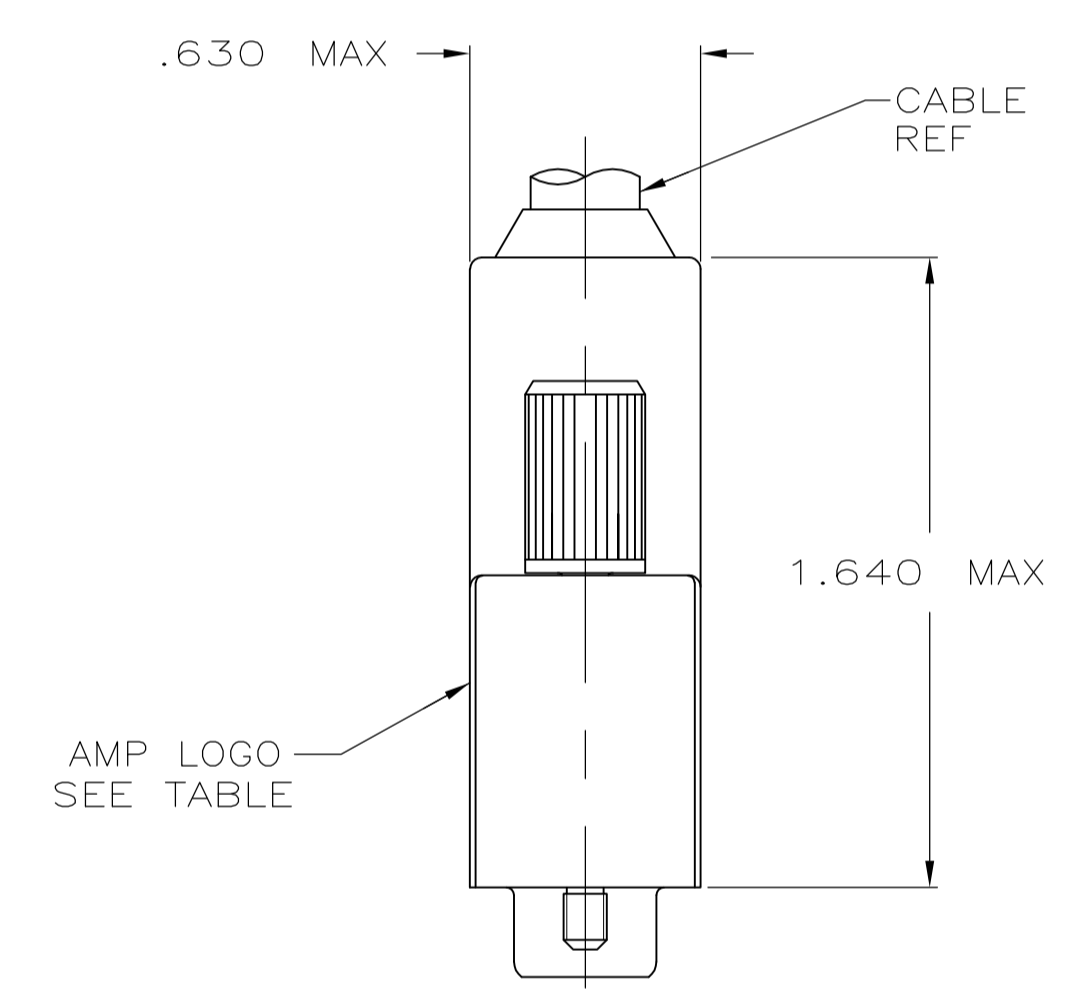
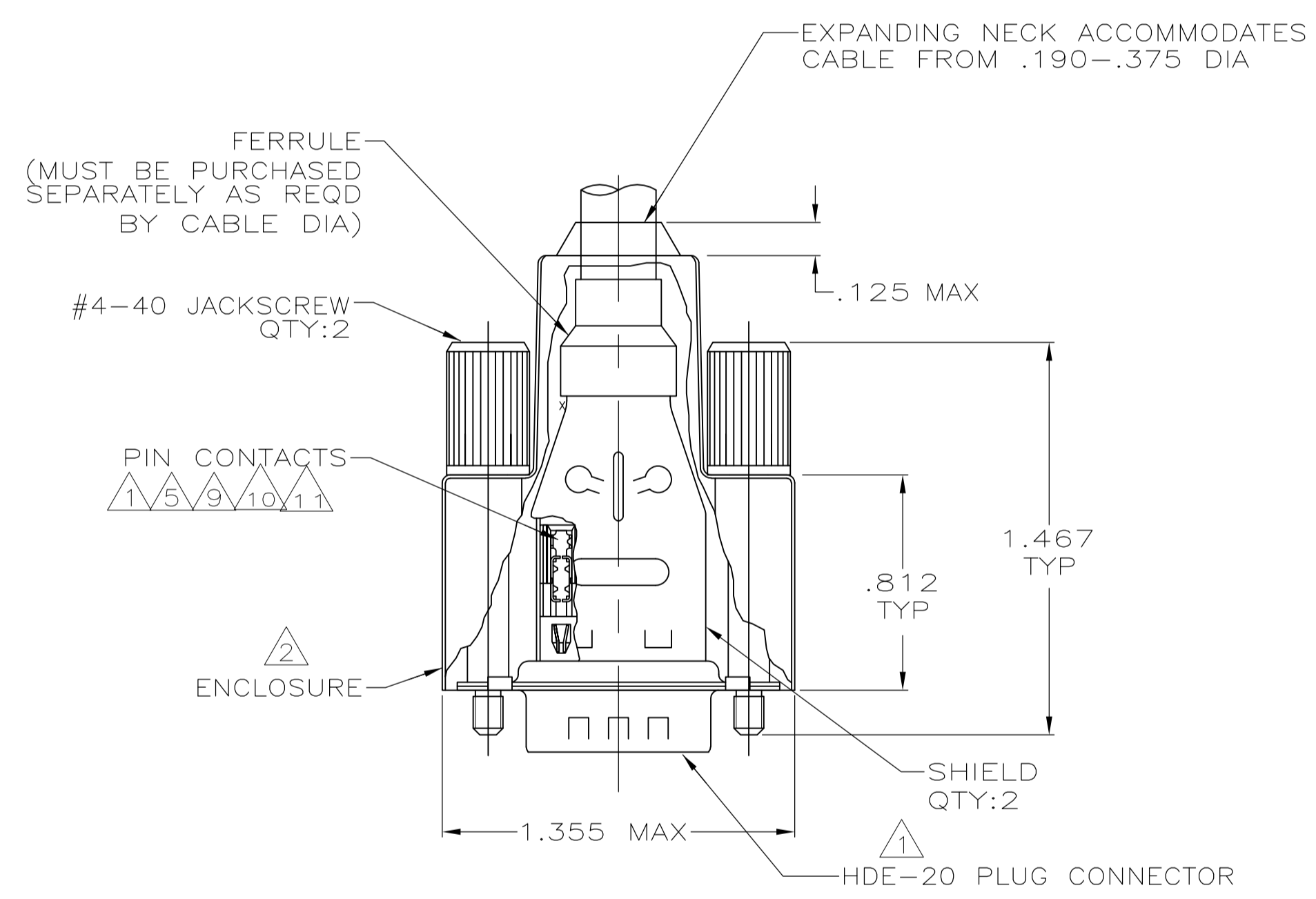


- ① PLUG CONNECTOR FULLY LOADED WITH CONTACTS. ALL OTHER PARTS ARE SHIPPED UNASSEMBLED. EACH PART INDIVIDUALLY BULK PACKED.
- ② FLAME RETARDANT 94V-0 RATED, POLYOLEFIN OR PVC, BLACK.
- ③ INSERT: FLAME RETARDANT 94V-0 RATED, GLASS-FILLED, NYLON OR POLYESTER, BLACK.
- ④ SHELLS & SHIELDS: STEEL PER ASTM A109.
- ⑤ CONTACTS: PHOSPHOR BRONZE PER QQ-B-750.
- ⑥ GOLD PLATING PER MIL-G-45204, NICKEL PLATING PER QQ-N-290, TIN PLATING PER MIL-T-10727, ZINC PLATING PER B633, TYPE II, CLASS SCI, BLACK CHROMATE.
- ⑦ SHELL & SHIELDS: TIN PLATED.
- ⑧ JACKSCREWS: ZINC PHOSPHATE COATING, BLACK.
- ⑨ GOLD PLATED FOR LENGTH OF .150 MIN FROM MATING END, GOLD FLASH IN MATED AREA. .000100-.000200 TIN OR IN TIN-LEAD IN WIRE TERMINATION AREA. .000030 NICKEL UNDERPLATE ON ENTIRE CONTACT.
- ⑩ CONTACTS GOLD PLATED FOR A LENGTH OF .150 MIN FROM MATING END, .000030 MIN GOLD IN MATED AREA, .000100-.000200 BRIGHT TIN OR BRIGHT TIN-LEAD IN WIRE TERMINATION AREA, ALL OVER .000050 MIN NICKEL UNDERPLATE ON ENTIRE CONTACT.
 OR
 CONTACTS GOLD PLATED FOR A LENGTH OF .150 MIN FROM MATING END, GOLD FLASH OVER .000030 MIN PALLADIUM-NICKEL IN MATED AREA, .000100-.000200 BRIGHT TIN OR BRIGHT TIN-LEAD IN WIRE TERMINATION AREA, ALL OVER .000050 MIN NICKEL UNDERPLATE ON ENTIRE CONTACT.
- ⑪ NUMBER ON CONTACT INDICATES WIRE RANGE.
- ⑫ OBSOLETE PART NUMBER.
- ⑬ JACKSCREWS: ZINC ALLOY.
- ⑭ CONTACTS GOLD PLATED FOR A LENGTH OF .150 MIN FROM MATING END, .000030 MIN GOLD IN MATED AREA, .000100-.000200 MATTE TIN IN WIRE TERMINATION AREA, ALL OVER .000050 MIN NICKEL UNDERPLATE ON ENTIRE CONTACT.
 OR
 CONTACTS GOLD PLATED FOR A LENGTH OF .150 MIN FROM MATING END, GOLD FLASH OVER PALLADIUM-NICKEL, .000030 MIN TOTAL IN MATED AREA, .000100-.000200 MATTE TIN IN WIRE TERMINATION AREA, ALL OVER .000050 MIN NICKEL UNDERPLATE ON ENTIRE CONTACT.
- ⑮ CONTACTS PLATED GOLD FLASH FOR A LENGTH OF .150 MIN FROM MATING END, .000100-.000200 MATTE TIN IN WIRE TERMINATION AREA, ALL OVER .000030 MIN NICKEL UNDERPLATE ON ENTIRE CONTACT.



				⑫	9-747944-2
⑮	YES	2	22-26	⑫	1-747944-6
⑭	YES	2	22-26	⑫	1-747944-5
⑨	NO	3	20-22	⑫	1-747944-2
	NO	2	22-26	⑫	1-747944-1
	NO	1	26-30	⑫	1-747944-0
⑩	NO	3	20-22	⑫	747944-9
	NO	2	22-26	⑫	747944-8
	NO	1	26-30	⑫	747944-7
⑨	YES	3	20-22	⑫	747944-6
	YES	2	22-26	⑫	747944-5
	YES	1	26-30	⑫	747944-4
⑩	YES	3	20-22	⑫	747944-3
	YES	2	22-26	⑫	747944-2
	YES	1	26-30	⑫	747944-1
CONTACT FINISH	LOGO	①①	WIRE RANGE	PART NUMBER	

THIS DRAWING IS A CONTROLLED DOCUMENT.		DIN 11-17-04 L VARELA -DOCK5		Tyco Electronics Corporation Harrisburg, PA 17105-3608	
DIMENSIONS: INCHES		TOLERANCES UNLESS OTHERWISE SPECIFIED:		APVD M WALMSLEY 11-17-04	
0 PLC ± -		1 PLC ± -		NAME SHIELDING ENCLOSURE KIT, PLUG, SIZE 1, 9 POSN, AMPLIMITE HDE-20	
1 PLC ± -		2 PLC ± -		SIZE CAGE CODE DRAWING NO	
2 PLC ± -		3 PLC ± .020		A1 00779 747944	
3 PLC ± -		4 PLC ± -		RESTRICTED TO	
4 PLC ± -		ANGLES ± -		WEIGHT	
MATERIAL		FINISH		CUSTOMER DRAWING	
CONTACTS: SEE TABLE		SCALE 4:1		SHEET 1 OF 1	