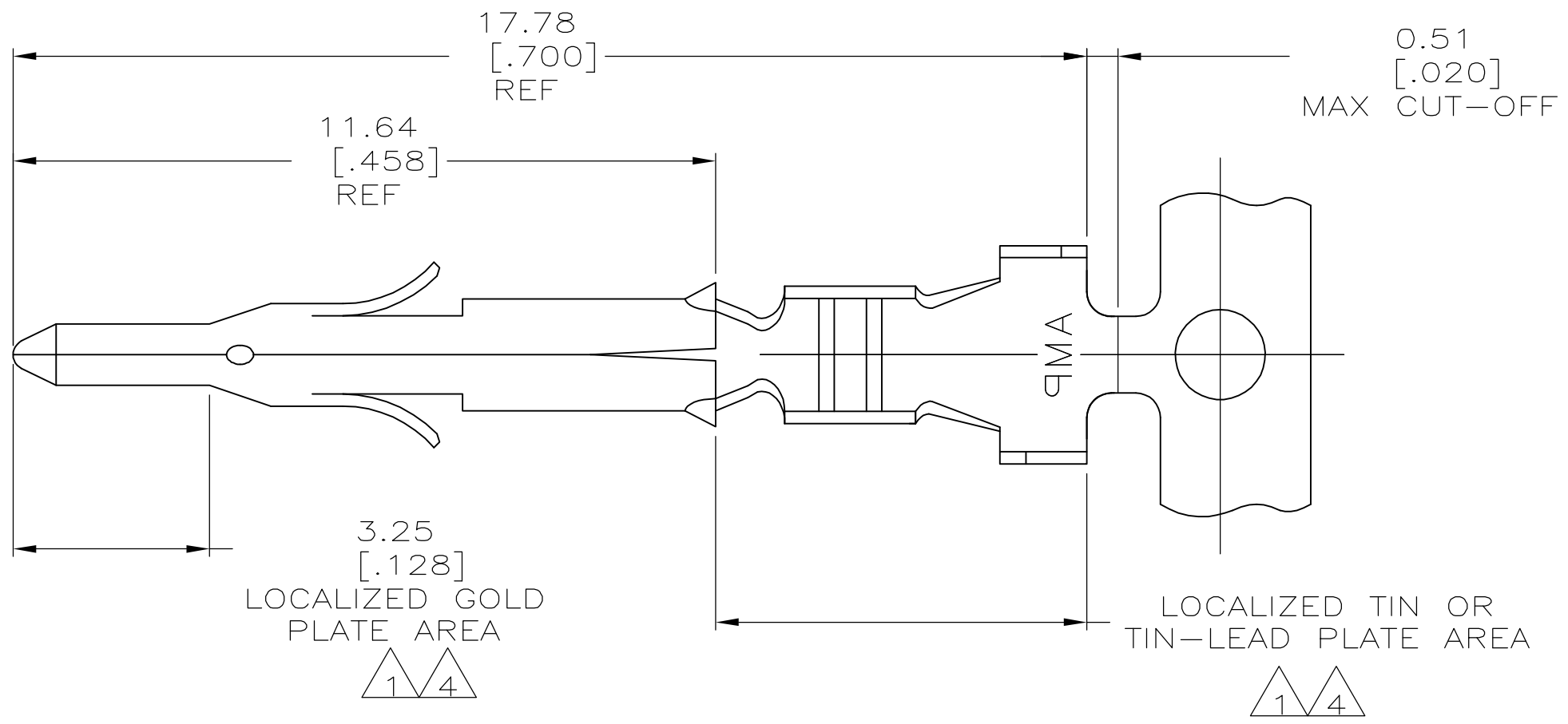
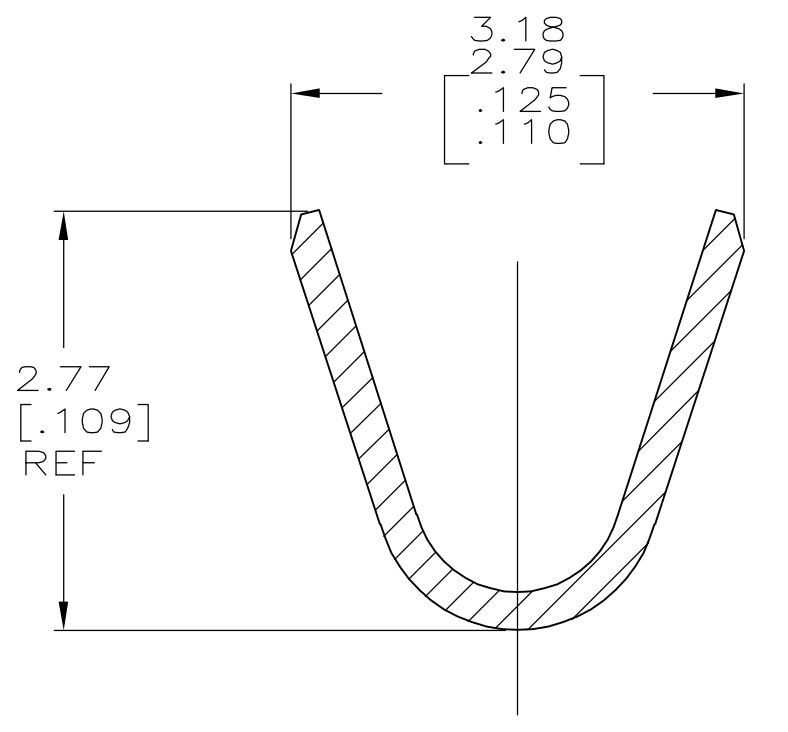
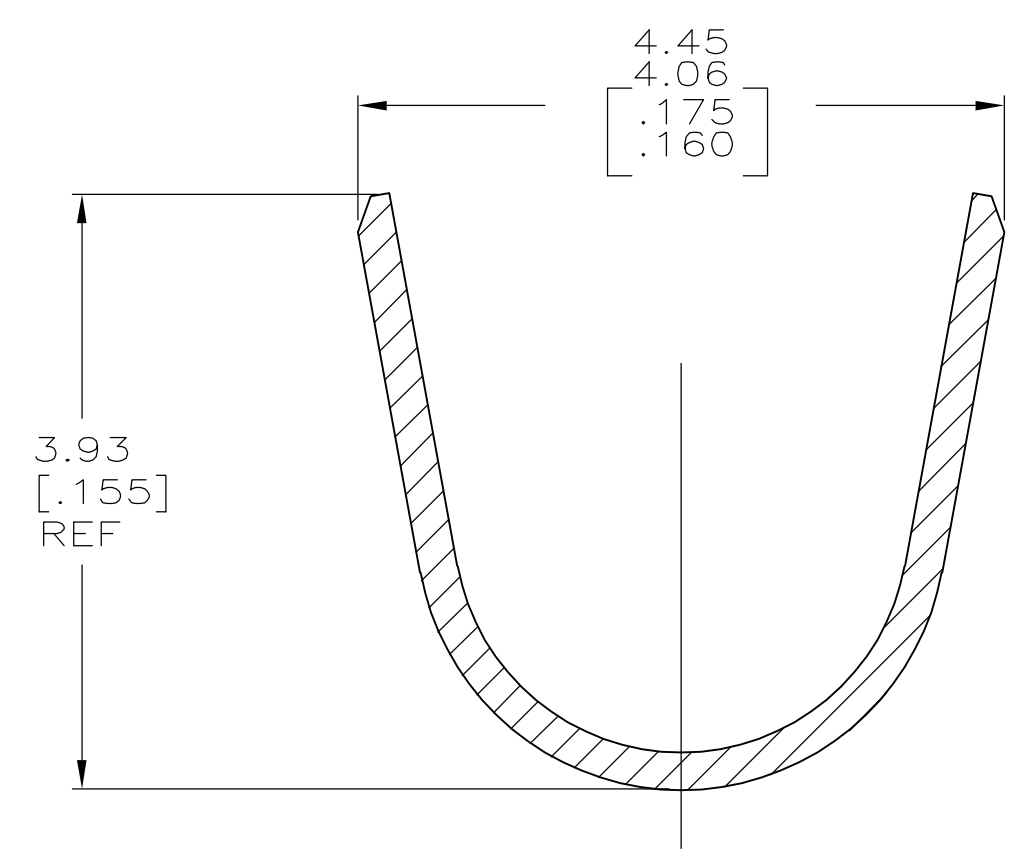
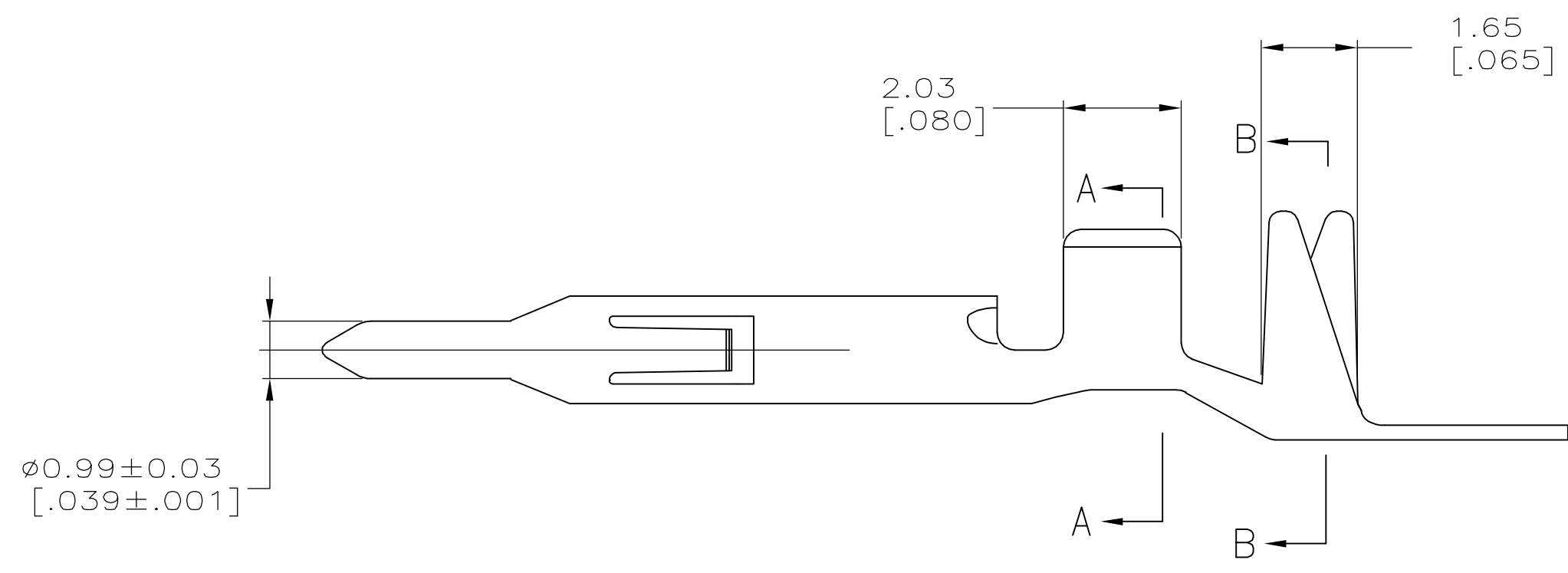


THIS DRAWING IS UNPUBLISHED. RELEASED FOR PUBLICATION
 © COPYRIGHT BY TYCO ELECTRONICS CORPORATION. ALL RIGHTS RESERVED.

LOC		DIST		REVISIONS			
P	LTR	DESCRIPTION		DATE	DWN	APVD	
	B	EC 063B 0214 05		29AUG05	BSV	CJ	



- 1. 0.00076 [.000030] MIN GOLD PER IN LOCALIZED GOLD PLATE AREA AND 0.00254-0.00635 [.000100-.000250] BRIGHT TIN-LEAD PER IN LOCALIZED TIN-LEAD PLATE AREA OVER 0.00127 [.000050] MIN NICKEL.
- 2. WIRE RANGE: 0.5-1.4MM² (20-16 AWG).
- 3. INSULATION RANGE: 2.01-3.20[.079-.126] DIA.
- 4. 0.00076 [.000030] MIN GOLD PER IN LOCALIZED GOLD PLATE AREA AND 0.00254-0.00635 [.000100-.000250] MATTE TIN IN LOCALIZED TIN PLATE AREA OVER 0.00127 [.000050] MIN NICKEL.



4	0.20 [.008] BRASS	1-794406-0
1	0.25 [.010] BRASS	794406-3
PRE-TIN	0.25 [.010] BRASS	794406-1
FINISH	MATERIAL	PART NUMBER

THIS DRAWING IS A CONTROLLED DOCUMENT.		DWN	10JAN03	Tyco Electronics Corporation	
DIMENSIONS: mm [INCHES]		CHK	10JAN03	Harrisburg, PA 17105-3608	
TOLERANCES UNLESS OTHERWISE SPECIFIED:		APVD	10JAN03	NAME	
0 PLC	± -	C. JONES		PIN,	
1 PLC	± -	C. JONES		MINI UNIVERSAL MATE-N-LOK(TM)	
2 PLC	± -	C. JONES		SIZE	RESTRICTED TO
3 PLC	± 0.13[.005]	PRODUCT SPEC		A2	-
4 PLC	± -	APPLICATION SPEC		CAGE CODE	DRAWING NO
ANGLES	± -	WEIGHT		00779	C=794406
MATERIAL	FINISH	CUSTOMER DRAWING		SCALE	SHEET
-	-	SCALE 10:1		1	1
				REV	B