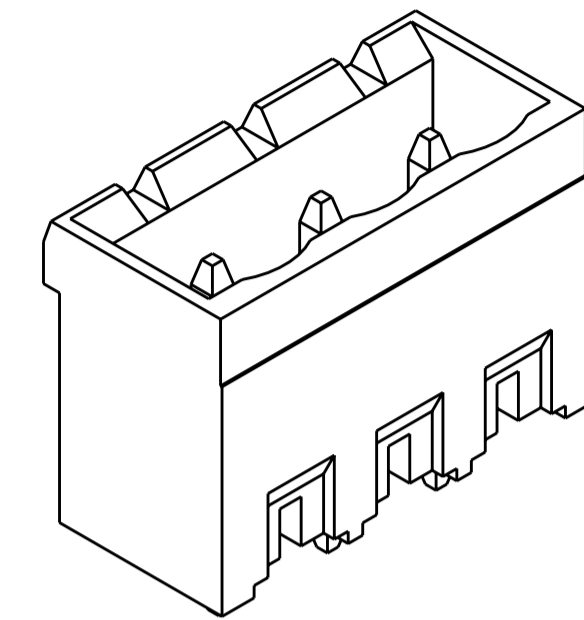
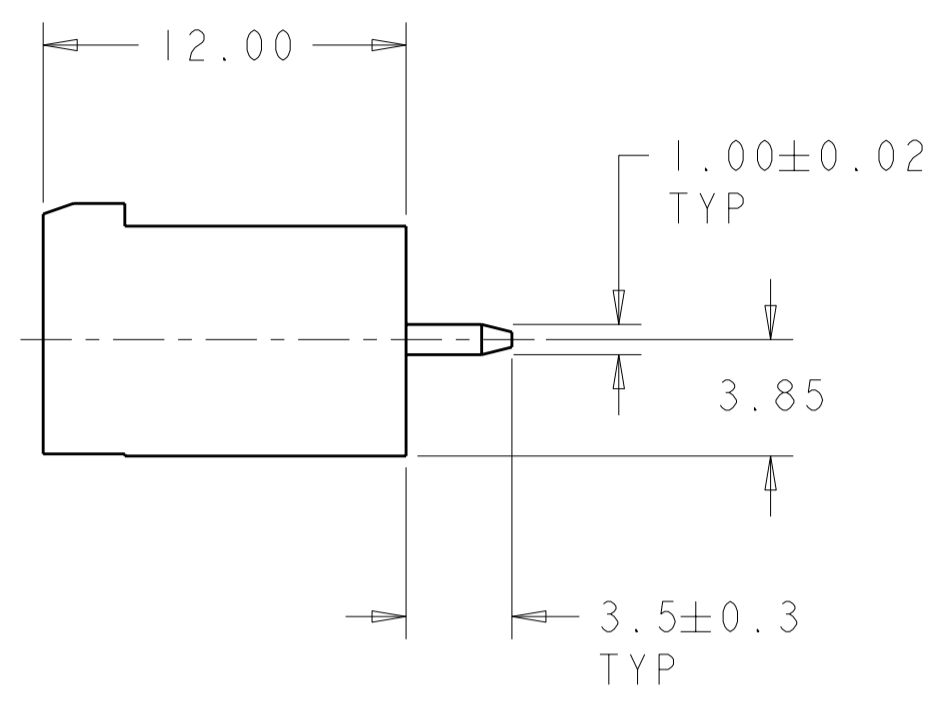
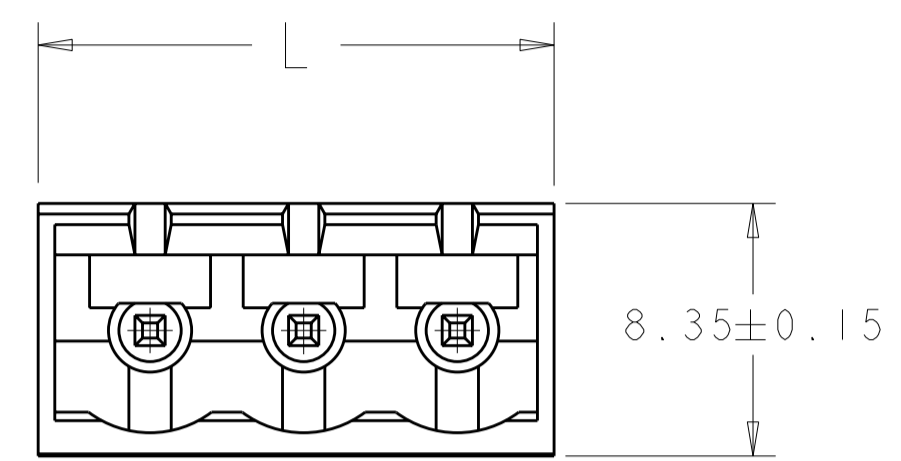


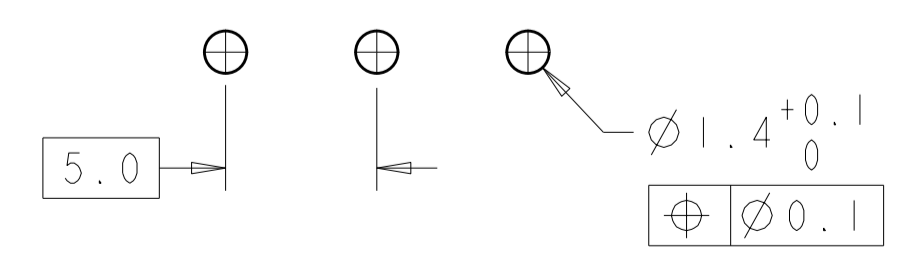
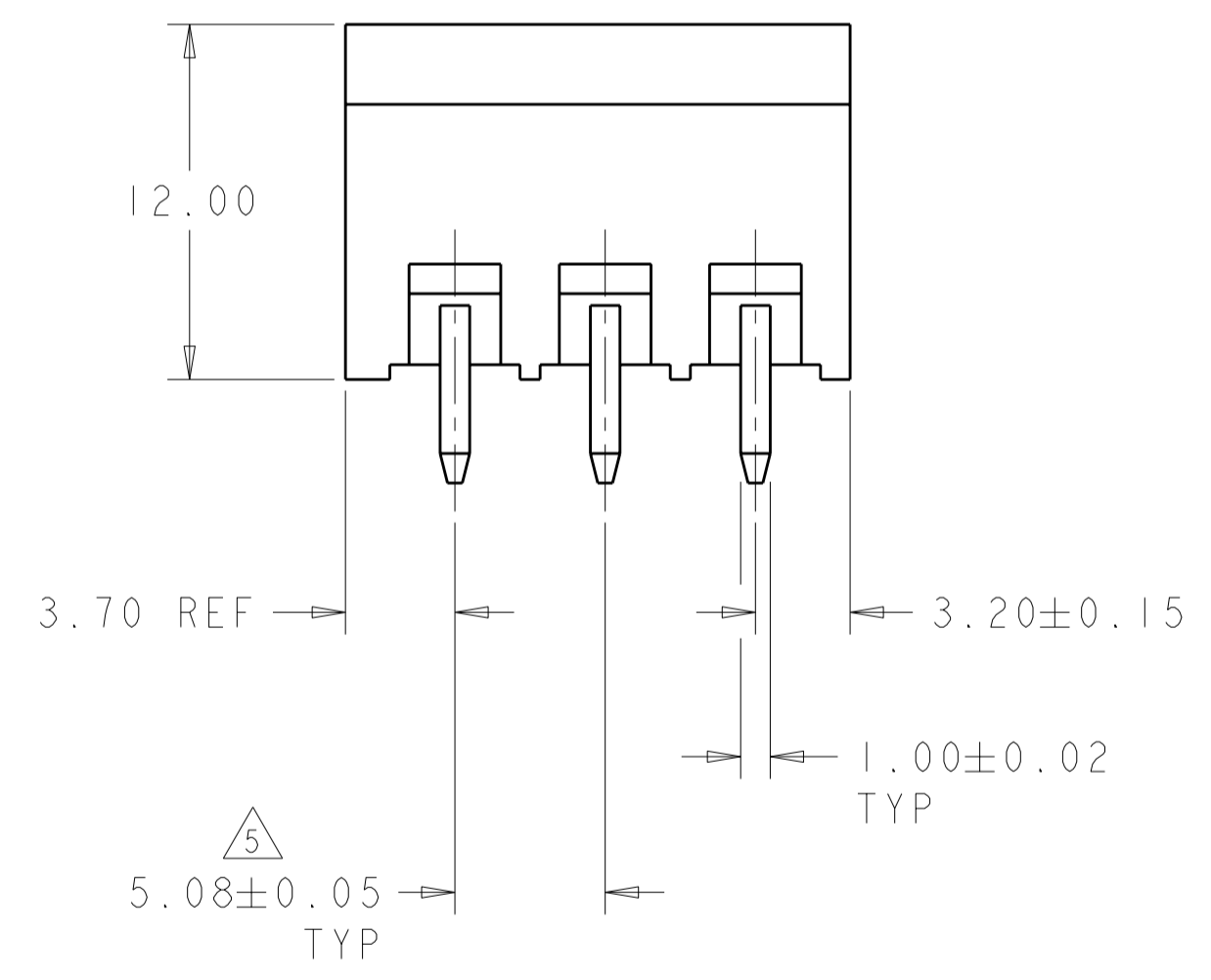
LOC	DIST	REVISIONS			
P	LTR	DESCRIPTION	DATE	DWN	APVD
FT	0	A	RELEASED	19OCT2000	SW DB
		A1	REVISED ECO-06-024094	12OCT2006	SW CR
		A2	REVISED ECO-06-026621	14NOV2006	SW CR
		A3	REVISED PER ECO-07-007106	03APR2007	SS CR



796637-3 AS SHOWN

PLATING	FINISH	WEIGHT	NO OF POSN	PART NUMBER
PRELIMINARY	.762μm GOLD	52.62	10	3-796637-1
PRELIMINARY	.762μm GOLD	42.46	8	3-796637-0
PRELIMINARY	.762μm GOLD	37.38	7	2-796637-9
PRELIMINARY	.762μm GOLD	32.30	6	2-796637-8
PRELIMINARY	.762μm GOLD	22.14	4	2-796637-7
	.762μm GOLD	47.54	9	2-796637-6
	TIN	128.82	25	2-796637-5
	TIN	123.74	24	2-796637-4
	TIN	118.66	23	2-796637-3
	TIN	113.58	22	2-796637-2
	TIN	108.50	21	2-796637-1
	TIN	103.42	20	2-796637-0
	TIN	98.34	19	1-796637-9
	TIN	93.26	18	1-796637-8
	TIN	88.18	17	1-796637-7
	TIN	83.10	16	1-796637-6
	TIN	78.02	15	1-796637-5
	TIN	72.94	14	1-796637-4
	TIN	67.86	13	1-796637-3
	TIN	62.78	12	1-796637-2
	TIN	57.70	11	1-796637-1
	TIN	52.62	10	1-796637-0
	TIN	47.54	9	796637-9
	TIN	42.46	8	796637-8
	TIN	37.38	7	796637-7
	TIN	32.30	6	796637-6
	TIN	27.22	5	796637-5
	TIN	22.14	4	796637-4
	TIN	17.06	3	796637-3
	TIN	11.98	2	796637-2
CONTACT PLATING	DIM L	NO OF POSN	PART NUMBER	

- MATERIALS AND FINISH:
 HOUSING: PA 6-6, UL 94-V0, COLOR: BLACK.
 TERMINAL: PHOSPHOR BRONZE, FINISH: SEE TABLE.
 - SUITABLE FOR 1,6-2, 4mm PC BOARD THICKNESS.
 - RECOGNIZED UNDER THE COMPONENT PROGRAM OF UNDERWRITERS LABORATORIES INC. FILE NO E60677.
 - IMQ CERTIFICATE WITH SURVEILLANCE IN CONFORMITY WITH IEC 998-1/998-2-1.
- ⚠ NOT CUMULATIVE TOLERANCE



RECOMMENDED PC BOARD LAYOUT

<small>THIS DRAWING IS A CONTROLLED DOCUMENT FOR TYCO ELECTRONICS CORPORATION. IT IS SUBJECT TO CHANGE AND THE CONTROLLING ENGINEERING ORGANIZATION SHOULD BE CONTACTED FOR THE LATEST REVISION.</small>		DWN S.WELDON 19OCT2000 CHK D.BIEVENOUR 19OCT2000 APVD D.BIEVENOUR 19OCT2000	tyco Tyco Electronics Harrisburg, PA 17105-3608
DIMENSIONS: mm	TOLERANCES UNLESS OTHERWISE SPECIFIED: 0 PLC ± 1 PLC ±0.2 2 PLC ± 3 PLC ± 4 PLC ± ANGLES ± FINISH	PRODUCT SPEC APPLICATION SPEC WEIGHT	NAME SIZE CAGE CODE DRAWING NO A2 00779 C-796637
MATERIAL		CUSTOMER DRAWING	RESTRICTED TO SCALE 4:1 SHEET 1 OF 1 REV A3