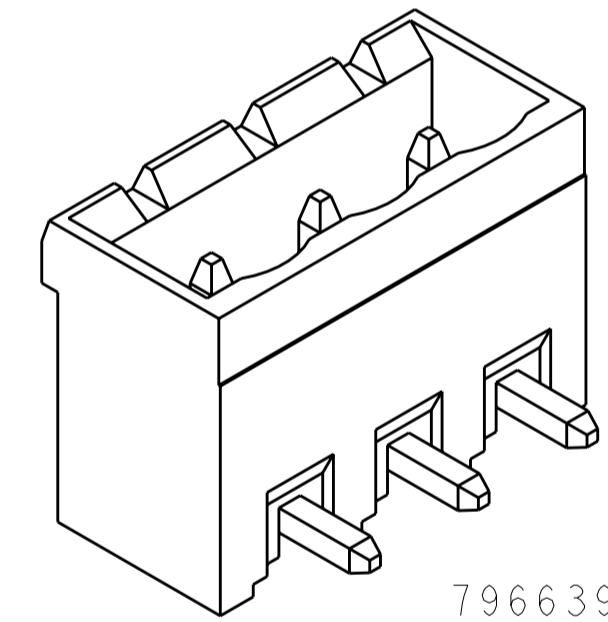
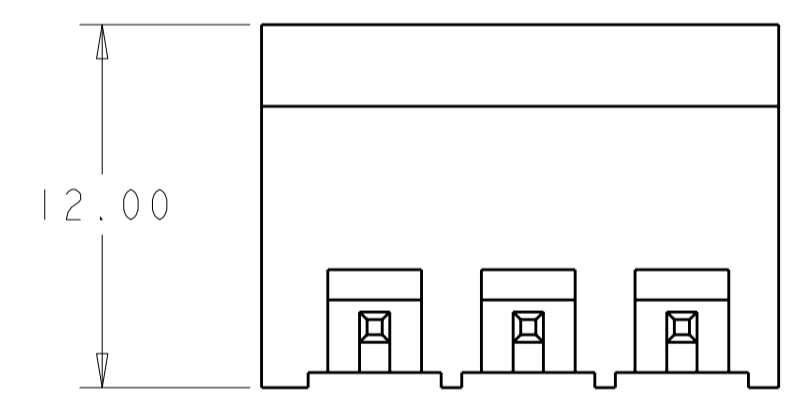
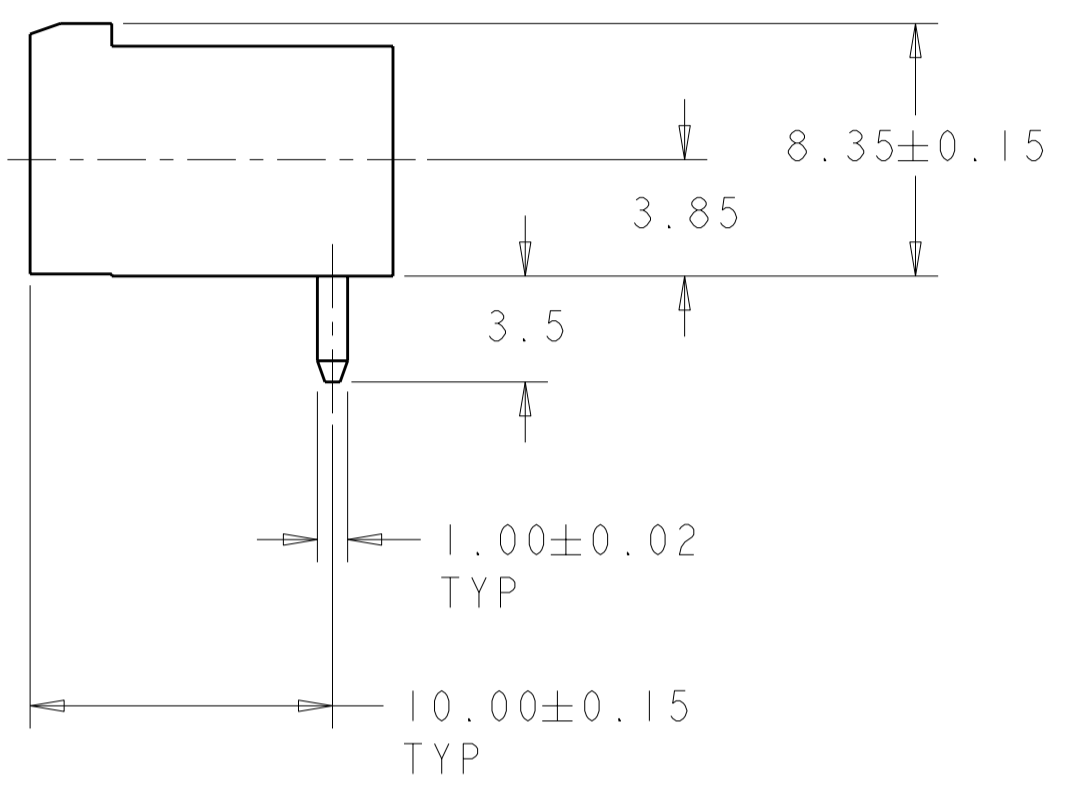
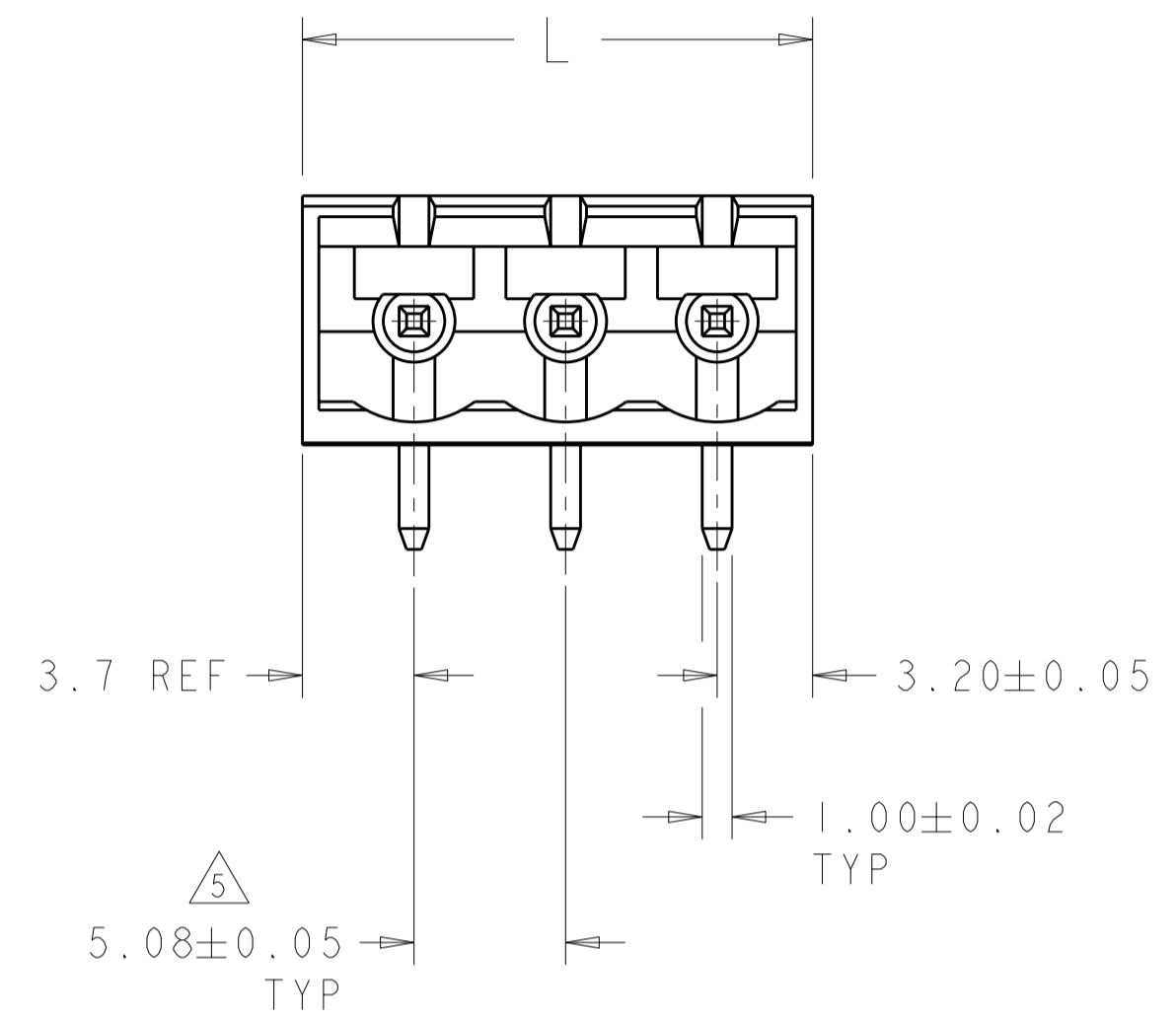


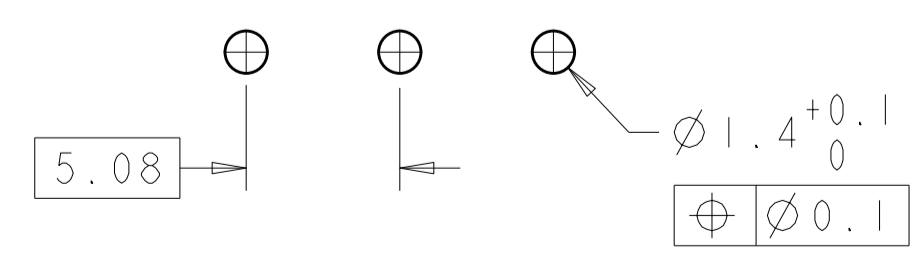
THIS DRAWING IS UNPUBLISHED. RELEASED FOR PUBLICATION 20
 © COPYRIGHT 20 BY TYCO ELECTRONICS CORPORATION. ALL RIGHTS RESERVED.

LOC	DIST	REVISIONS					
FT	0	P	LTR	DESCRIPTION	DATE	DWN	APVD
		B3		REVISED PER ECO-08-031183	15DEC2008	HMR	CR



0.76µm GOLD	108.50	21	3-796639-8	6
0.76µm GOLD	88.18	17	3-796639-7	6
0.76µm GOLD	72.94	14	3-796639-6	6
0.76µm GOLD	62.78	12	3-796639-5	6
0.76µm GOLD	52.62	10	3-796639-4	6
0.76µm GOLD	47.54	9	3-796639-3	6
0.76µm GOLD	42.46	8	3-796639-2	6
0.76µm GOLD	37.38	7	3-796639-1	6
0.76µm GOLD	32.30	6	3-796639-0	6
0.76µm GOLD	27.22	5	2-796639-9	6
0.76µm GOLD	22.14	4	2-796639-8	6
0.76µm GOLD	17.06	3	2-796639-7	6
0.76µm GOLD	11.98	2	2-796639-6	6
TIN	128.82	25	2-796639-5	
TIN	123.74	24	2-796639-4	
TIN	118.66	23	2-796639-3	
TIN	113.58	22	2-796639-2	
TIN	108.50	21	2-796639-1	
TIN	103.42	20	2-796639-0	
TIN	98.34	19	1-796639-9	
TIN	93.26	18	1-796639-8	
TIN	88.18	17	1-796639-7	
TIN	83.10	16	1-796639-6	
TIN	78.02	15	1-796639-5	
TIN	72.94	14	1-796639-4	
TIN	67.86	13	1-796639-3	
TIN	62.78	12	1-796639-2	
TIN	57.70	11	1-796639-1	
TIN	52.62	10	1-796639-0	
TIN	47.54	9	796639-9	
TIN	42.46	8	796639-8	
TIN	37.38	7	796639-7	
TIN	32.30	6	796639-6	
TIN	27.22	5	796639-5	
TIN	22.14	4	796639-4	
TIN	17.06	3	796639-3	
TIN	11.98	2	796639-2	
CONTACT FINISH	DIM L	NO OF POSN	PART NUMBER	

- 1. MATERIALS AND FINISH:
HOUSING: PA 6-6, UL 94-V0, COLOR: BLACK.
TERMINAL: PHOSPHOR BRONZE, FINISH: SEE TABLE.
- 2. SUITABLE FOR 1,6-2, 4mm PC BOARD THICKNESS.
- 3. RECOGNIZED UNDER THE COMPONENT PROGRAM OF UNDERWRITERS LABORATORIES INC. FILE N° E60677.
- 4. IMQ CERTIFICATE WITH SURVEILLANCE IN CONFORMITY WITH IEC 998-1/998-2-1.)



RECOMMENDED PC BOARD LAYOUT

- 5. NOT CUMULATIVE TOLERANCE
- 6. PRELIMINARY PART NUMBER.

THIS DRAWING IS A CONTROLLED DOCUMENT FOR TYCO ELECTRONICS CORPORATION. IT IS SUBJECT TO CHANGE AND THE CONTROLLING ENGINEERING ORGANIZATION SHOULD BE CONTACTED FOR THE LATEST REVISION.		DWN S. WELDON 19OCT2000	Tyco Electronics Harrisburg, PA 17105-3608	
DIMENSIONS: mm		CHK D. BIEVENOUR 19OCT2000	NAME TERMI-BLOK HEADER ASSEMBLY, 90 DEGREE, CLOSED ENDS, 5.08mm PITCH	
TOLERANCES UNLESS OTHERWISE SPECIFIED: 0 PLC ± 1 PLC ±0.2 2 PLC ± 3 PLC ± 4 PLC ± ANGLES ± FINISH		APVD D. BIEVENOUR 19OCT2000	SIZE A2	
MATERIAL		PRODUCT SPEC APPLICATION SPEC WEIGHT	CAGE CODE 00779	DRAWING NO 796639
CUSTOMER DRAWING		SCALE 4:1		SHEET 1 OF 1 REV B3