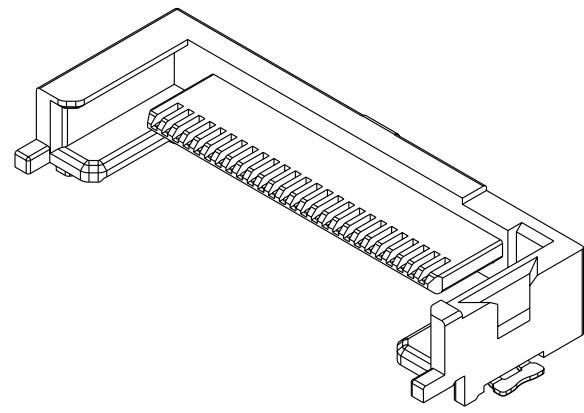


1

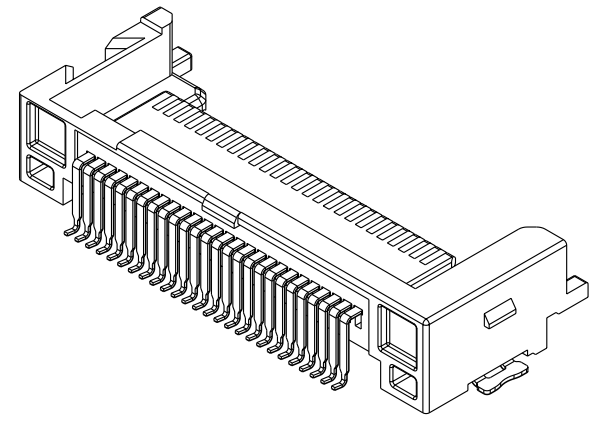
2

3

4



SCALE 2.000



SCALE 2.000

NOTES :

- 1. MATERIAL:
HOUSING: HIGH TEMPERATURE THERMOPLASTIC,
UL 94 V-O FLAME RETARDANT.
TERMINAL: COPPER ALLOY.
PLATING SPEC. AS BELOW :
Ni 50u" UNDER PLATED.
Au OR GXT OVER CONTACT AREA. (ONE SIDE)
Tin 120u" OVER SOLDERING AREA.
- 2. PACKING SPEC. GS-14-924.
- 3. PRODUCT PERFORMANCE PER SPEC. GS-12-285.
- 4. PART NUMBER SCHEME: (EX. 10056265-222ABTMLF)
10056265-X XX X X X XLF (LEAD FREE PLATING)

SPEC.	OPTION (CODE)		
MYLAR	WITH (M)	WITHOUT ()	
PACKING	TRAY (S)	TAPE & REEL (T)	TUBE (P)
HSG COLOR	BLACK (B)	NATURE (N)	
MOUNT SIDE	ABOVE (A)		
STAND-OFF	2.2 (22)		
PLATING	GOLD 30u" (1)	GXT 30u" (2)	
		GXT 15u" (4)	

5. RoHS COMPATIBLE PRODUCT SPECIFICATIONS

- a-PLATING:
- "LF" MEANS THE PRODUCT IS LEAD-FREE, 2micro-meter MINIMUM MATTE TIN OVER
1.27micro-meter MINIMUM NICKEL UNDERPLATE.
- b-MANUFACTURING PROCESS COMPATIBILITY
- THE HOUSING WILL WITHSTAND EXPOSURE TO 260°C±5°C SOLDER BATH TEMPERATURE FOR
5 SECONDS IN A REFLOW SOLDER APPLICATION WITH A 1.6mm MIN THICK CIRCUIT BOARD.



Copyright FCI.

www.fciconnect.com			surface <input checked="" type="checkbox"/>	tolerance std ASME Y14.5	projection 	MM
			TOLERANCES UNLESS OTHERWISE SPECIFIED			Scale 1.000
Dr	KENNY TAI	2005-05-12	ANGULAR	0.X	±0.50	size A4
Eng	KENNY TAI	2005-05-12		LINEAR	0.XX	±0.30
Chr	KENNY TAI	2005-05-12	0°	±2°	±	Spec ref *
Appr	PAUL WANG	2005-05-12	Product family			
			TOP MOUNT, 2.2 S/O HOST CONNECTOR ASSEMBLY		dwg no 10056265	Rev. G
			catalog no	10056265	CUSTOMER	sheet 1 of 3

rev	ecn no	dr	date
A	T05-0096	TAI	2005-05-23
B	T05-0121	TAI	2005-06-03
C	T05-0239	TAI	2005-10-19
D	T05-0271	TAI	2005-12-08
E	T05-0304	TAI	2005-12-30
F	T06-0118	TAI	2006-06-15
G	N08-0069	R.B	2008/04/21

PRODUCT NO.	NOTE
10056265-X22AXXLF	TOOLED

A

B

C

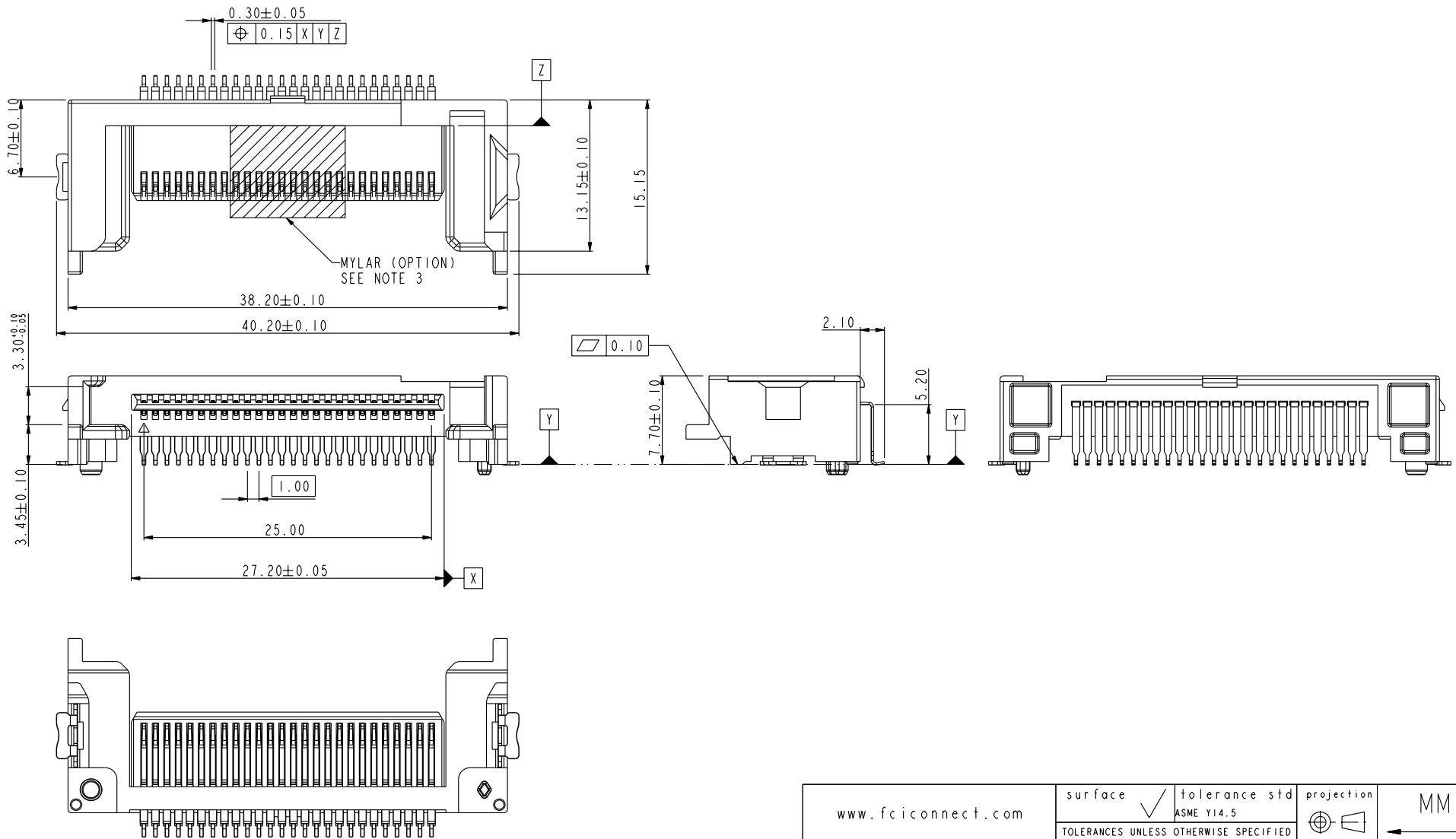
D

A

B

C

D



Copyright FCI.

www.fciconnect.com			surface <input checked="" type="checkbox"/>	tolerance std ASME Y14.5	projection 	MM
TOLERANCES UNLESS OTHERWISE SPECIFIED			ANGULAR	LINEAR	size A4	Scale 1.000
Dr	KENNY TAI	2005-05-12	0.X	± 0.50	ECN	N08-0069
Eng	KENNY TAI	2005-05-12	0.XX	± 0.30	Spec ref	*
Chr	KENNY TAI	2005-05-12	0°	$\pm 2^\circ$	Product family	
Appr	PAUL WANG	2005-05-12	0.XXX	\pm	catalog no	10056265
			title TOP MOUNT, 2.2 S/O HOST CONNECTOR ASSEMBLY		dwg no 10056265	Rev. G
REV F - 2006-04-17			catalog no		10056265	sheet 2 of 3

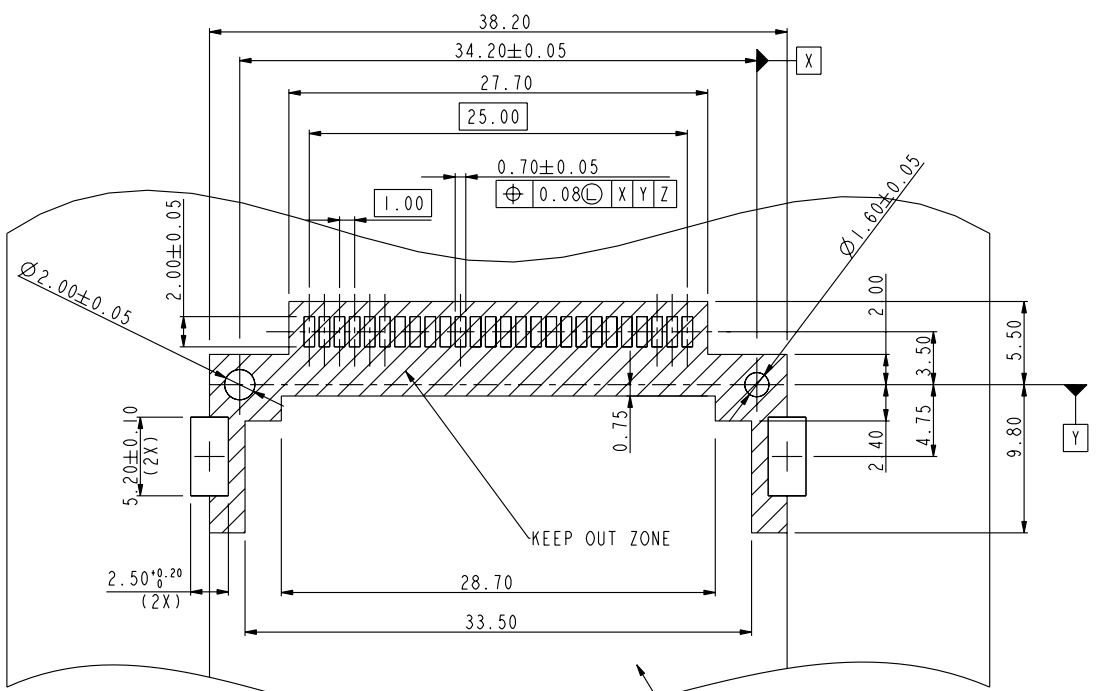
PDM: Rev:G

STATUS Released

4 Printed: Oct 12, 2010



Copyright FCI.



SCALE 2.000

ALLOWED 1.80 MM HEIGHT PARTS ONLY

www.fciconnect.com			surface	<input checked="" type="checkbox"/>	tolerance std	ASME Y14.5	projection	MM			
			TOLERANCES UNLESS OTHERWISE SPECIFIED								
Dr	KENNY TAI	2005-05-12	ANGULAR	LINEAR	0.X	±0.50	size	A4			
Eng	KENNY TAI	2005-05-12			0.XX	±0.30	Scale	1.000			
Chr	KENNY TAI	2005-05-12	0°	±2°	0.XXX	±	ECN	N08-0069			
Appr	PAUL WANG	2005-05-12	Product family				Spec ref		*		
			title			TOP MOUNT, 2.2 S/O		dwg no	10056265	Rev.	G
			HOST CONNECTOR ASSEMBLY								
			catalog no			10056265		CUSTOMER		sheet 3 of 3	

REV F - 2006-04-17

PDM: Rev:G

STATUS Released

4 Printed: Oct 12, 2010