

PRODUCT NUMBER

10056844-YXXXLF

LEAD FREE, RoHS COMPATIBLE, NOTE 8.  
PACKAGING SEE NOTE 5

PLATING

- 1 - 0.76µm GOLD/GXT (PdNi WITH GOLD FLASH) ON CONTACT AREA  
2µm MIN MATTE TIN ON TAILS.  
1.27µm NICKEL MIN UNDERPLATING

STYLE	SIZE
06	2x03
08	2x04
10	2x05
14	2x07
16	2x08
20	2x10
26	2x13
30	2x15
34	2x17
40	2x20

NOTES:

- 1 - HOUSING MATERIAL: HIGH TEMPERATURE THERMOPLASTIC, UL94 V-0 COLOR BLACK.
- 2 - CONTACT MATERIAL: COPPER ALLOY
- 3 - MINIMUM PUSH OUT FORCE OF PIN IN EITHER DIRECTION : 20N BEFORE SOLDERING.

- 4 - TO DETERMINE DIMENSIONS :  
N = NUMBER OF POSITIONS PER ROW  
EXAMPLE : 8 POS N x 2.54 = 20.32mm

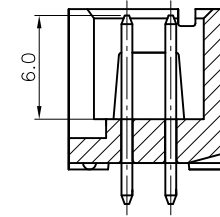
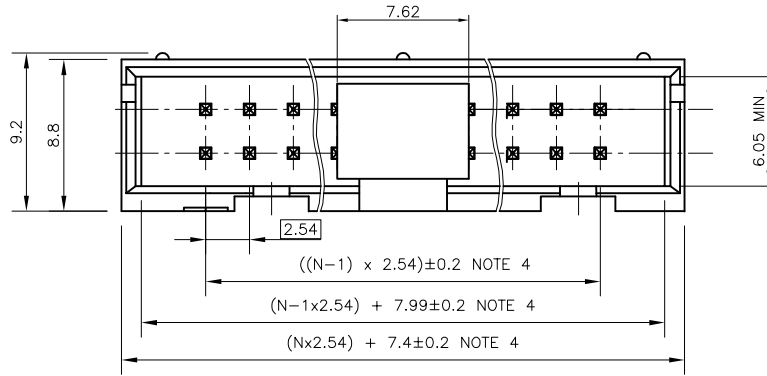
- 5 - PACKAGING.  
A = TAPE & REEL WITH PICK-UP CAP.  
SEE TA-893 FOR PRODUCT AVAILABILITY.  
= TUBE WITHOUT PICK-UP CAP

- 6 - NO LEFT POLARIZATION ON STYLE 06, 08, 10, 14.

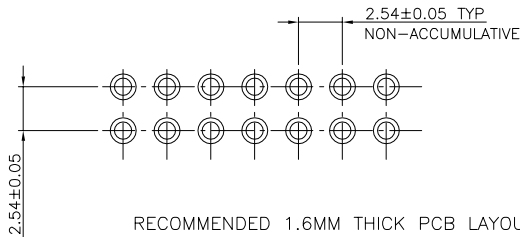
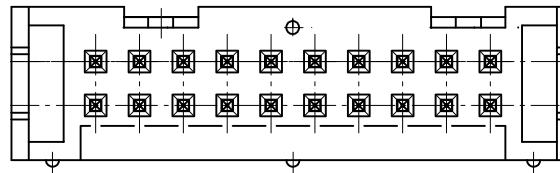
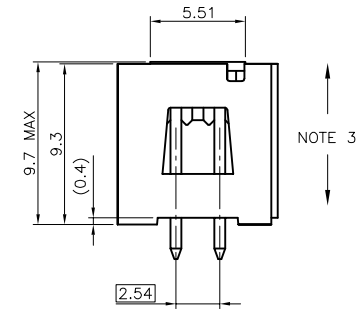
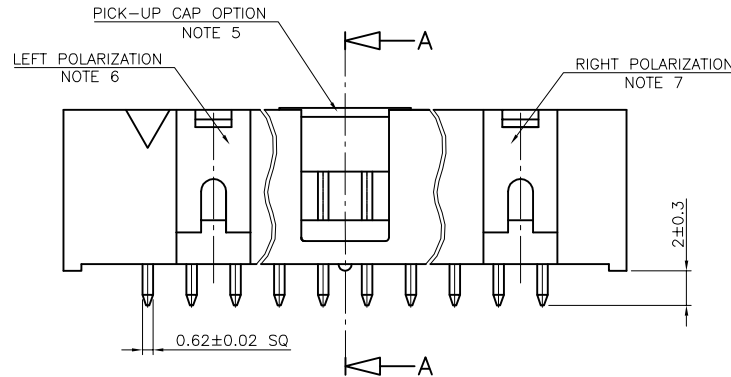
- 7 - NO RIGHT POLARIZATION ON STYLE 06, 08.

8. RoHS COMPLIANT & COMPATIBLE PRODUCT SPECIFICATIONS

- a - PLATING:  
- "LF" MEANS THE PRODUCT IS LEAD-FREE AND RoHS COMPLIANT  
2µm MINIMUM MATTE TIN ON TAILS OVER 1.27µm MINIMUM NICKEL UNDERPLATE.
- b - THIS PRODUCT MEETS EUROPEAN UNION DIRECTIVES AND OTHER COUNTRY REGULATIONS AS PER GS-22-008.
- c - MANUFACTURING PROCESS COMPATIBILITY  
- THE HOUSING WILL WITHSTAND EXPOSURE TO 260° PEAK TEMPERATURE FOR 10-30 SECONDS IN A CONVECTION INFRA-RED OR VAPOR PHASE REFLOW OVEN.



SECTION A-A  
WITHOUT CAP



RECOMMENDED 1.6MM THICK PCB LAYOUT,  
STENCIL DESIGN RECOMMENDATIONS AS PER TA-894

mat'l. code		surface		tolerance		projection		product family	
NOTES 1, 2		ISO 1302		ISO 406 ISO 1101		mm		QKIE HDR	
ltr	ecn no	dr	date	tolerances unless otherwise specified		mm		title	
A	F06-0239	LMU	06.07.17	angles	.x ± 0.3	mm		QKIE HEADER	
B	F06-0335	LMU	06.12.08	linear	.xx ± 0.15	mm		LOW PROFILE PIN IN PASTE	
C	F07-0192	LMU	07.05.22		xxx ± 0.05	scale 1:1		dwg no	
D	F07-0198	LMU	07.05.30	dr	LMU	05.05.30	sheet 1 of 1		size
E	F08-0146	YOV	08.04.11	enrg	JCO	06.07.17	10056844		A3
F	F09-0098	LMU	09.09.28	chr			type		Drawing
sheet index		revision sheet		appd J COMPAGNON		06.07.17			