

PRODUCT NUMBER

10072354-X01-XXXLF

PLATING
S = 0.38µm GOLD/GXT ON CONTACT AREA
2µm MIN MATTE TIN ON TAIL
OVER 1.27µm MIN NICKEL

RoHS COMPATIBLE
NOTE 6

PACKAGING
NOTE 5

G = 0.76µm GOLD/GXT ON CONTACT AREA
2µm MIN MATTE TIN ON TAIL
OVER 1.27µm MIN NICKEL

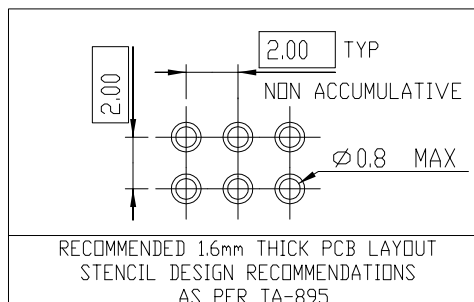
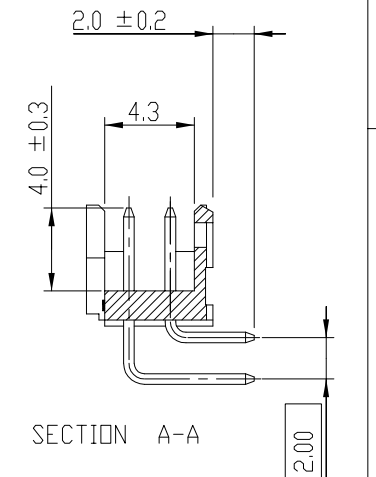
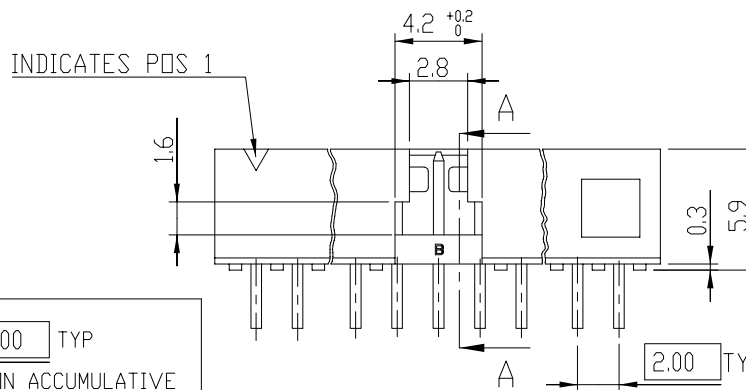
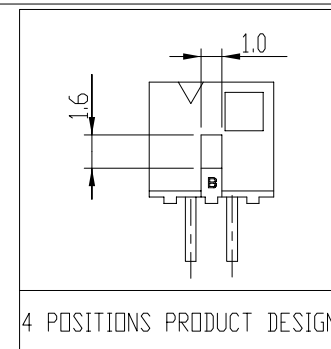
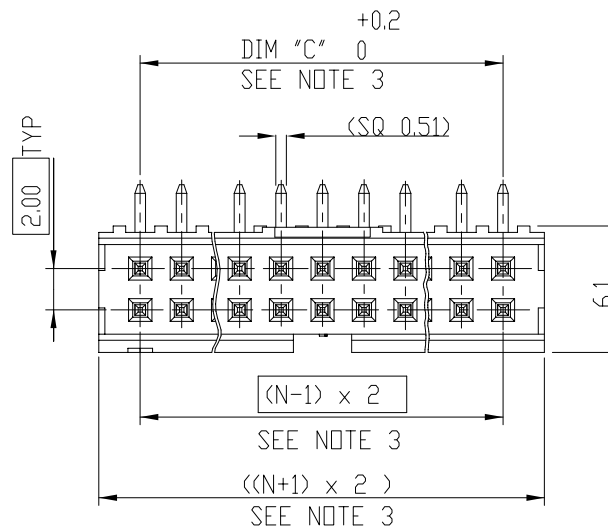
TOTAL NB OF POSITIONS
04 TO 50 POS

F = GOLD FASH ON CONTACT AREA
2µm MIN MATTE TIN ON TAIL
OVER 1.27µm MIN NICKEL

NOTES:

- MATERIAL HOUSING: HIGH TEMP. THERMOPLASTIC
UL 94V-0, COLOR CREAM
- MATERIAL TERMINAL: COPPER ALLOY
- TO DETERMINE DIMENSIONS:
N = NUMBER OF POSITIONS PER ROW.
- 7N MIN PIN RETENTION IN EITHER DIRECTION.
- PACKAGING :
= PLASTIC BOX
U = TUBE AVAILABLE FROM 06 TO 50 POS
- RoHS COMPATIBLE PRODUCT SPECIFICATIONS

- PLATING
= "LF" MEANS THE PRODUCT IS LEAD-FREE
2µm MINIMUM MATTE TIN OVER 1.27µm
MINIMUM NICKEL UNDERPLATE.
- MANUFACTURING PROCESS COMPATIBILITY
- THE HOUSING WITHSTAND EXPOSURE TO
260°C PEAK TEMPERATURE FOR
30 SECONDS MAX IN A CONVECTION, INRA-RED
OR VAPOR PHASE OR REFLOW OVEN.
- LABELLING:
- MEETS PACKAGING SPECS AS PER GS-14-920.
- THIS PRODUCT MEETS EUROPEAN DIRECTIVES
AND OTHER COUNTRY REGULATIONS AS DISCRIBED
IN GS-22-008



rev	ecn no	dr	date
A	F07-0105	LMU	07.01.10
B	F08-0113	LMU	08.01.17
C	F08-0145	ELA	15.04.08
D	F10-0013	GPE	23.02.10
-	-	-	-
-	-	-	-
-	-	-	-

www.fciconnect.com		surface - ✓ ISO 1302	tolerance std ISO 406 ISO 1101	projection mm	
		TOLERANCES UNLESS OTHERWISE SPECIFIED			
Dr	L MULIN	06.09.14	ANGULAR	0.X ± 0.13	size A3
Eng	J COMPAGNON	06.09.14	LINEAR	0.XX ± 0.05	Scale 4:1
Chr	-	-	0° ± 2°	0.XXX ±	ECN -
Appr	J.M.C	06.09.14	Product family	Minitek	Spec ref -
FCI title SHR HEADER		dwg no 10072354		Rev. D	
2.00 RIGHT ANGLE PIP		CUSTOMER Drawing		sheet 1 of 1	
catalog no					



Copyright FCI.

REV E - 2006-03-28

1

2

3

4