

PRODUCT NUMBER  
10075024-X01-XXXLF

PLATING

S = 0.38µm GOLD ON CONTACT AREA  
2µm MIN MATTE TIN ON TAIL  
OVER 1.27µm MIN NICKEL

G = 0.76µm GOLD ON CONTACT AREA  
2µm MIN MATTE TIN ON TAIL  
OVER 1.27µm MIN NICKEL

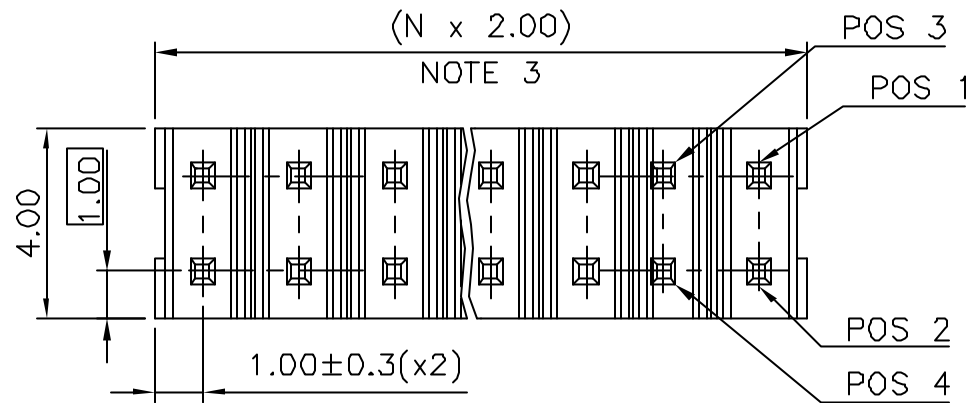
F = GOLD FLASH ON CONTACT AREA  
2µm MIN MATTE TIN ON TAIL  
OVER 1.27µm MIN NICKEL

LEAD FREE  
RoHS COMPATIBLE  
NOTE 6

PACKAGING  
NOTE 5

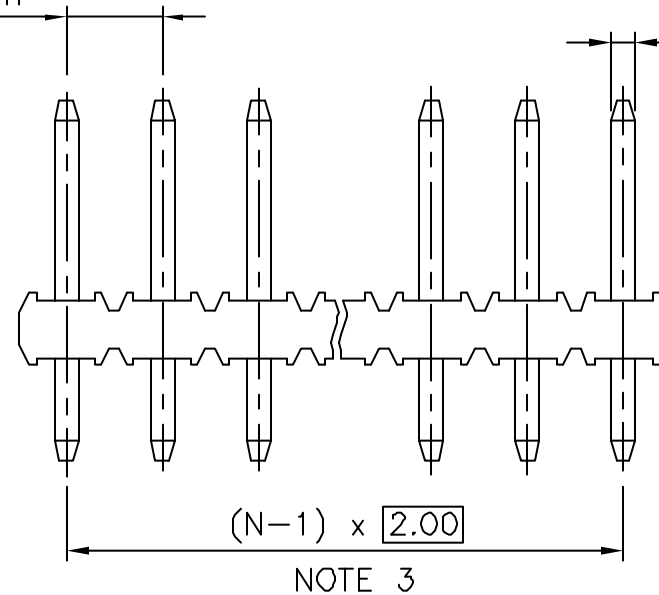
POSITIONS PER ROW  
02 TO 25

SEE NOTE 9

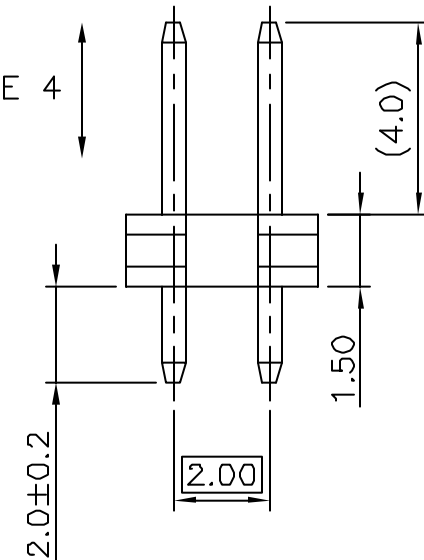


2.00 TYP

SQUARE 0.51 REF



NOTE 4



NOTES:

1. MATERIAL HOUSING: HIGH TEMP. THERMOPLASTIC  
UL 94V-0, COLOR BLACK
2. MATERIAL TERMINAL: COPPER ALLOY
3. TO DETERMINE DIMENSIONS:  
N = NUMBER OF POSITIONS PER ROW
4. 7N MIN. PIN RETENTION IN EITHER DIRECTION.
5. PACKAGING:  
= PLASTIC BOX  
U = TUBE WITHOUT PICK UP CAP  
AVAILABLE FROM 03 TO 25 POS PER ROW  
P = TUBE WITH PICK UP CAP  
AVAILABLE FROM 03 TO 25 POS PER ROW  
A = TAPE AND REEL WITH PICK UP CAP INSTALLED  
IN THE CENTER OF THE PRODUCT FOR PICK AND PLACE  
SEE TA 884 FOR PRODUCT AVAILABILITY.

6. RoHS COMPATIBLE PRODUCT SPECIFICATIONS

a - PLATING:

- "LF" MEANS THE PRODUCT IS LEAD-FREE,  
2µm MINIMUM MATTE TIN OVER 1.27µm  
MINIMUM NICKEL UNDERPLATE.

b - MANUFACTURING PROCESS COMPATIBILITY

- THE HOUSING WILL WITHSTAND EXPOSURE TO  
260°C PEAK TEMPERATURE FOR 30 SECONDS MAX  
IN A CONVECTION, INFRA-RED, OR VAPOR PHASE  
OR REFLOW OVEN

c - LABELLING:

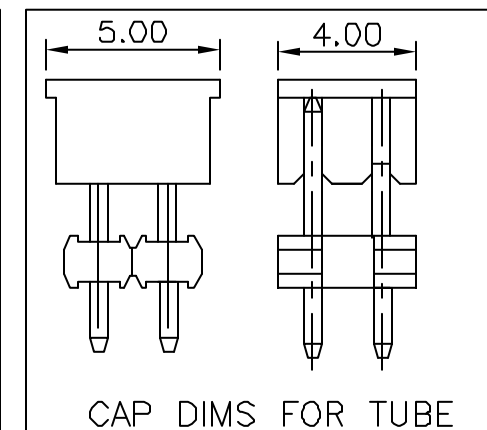
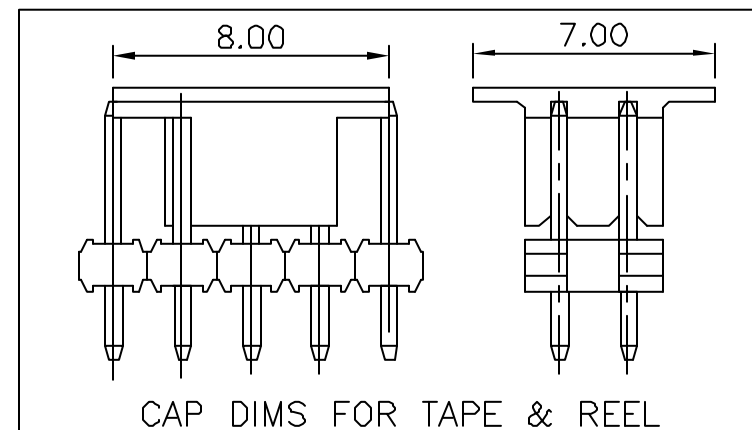
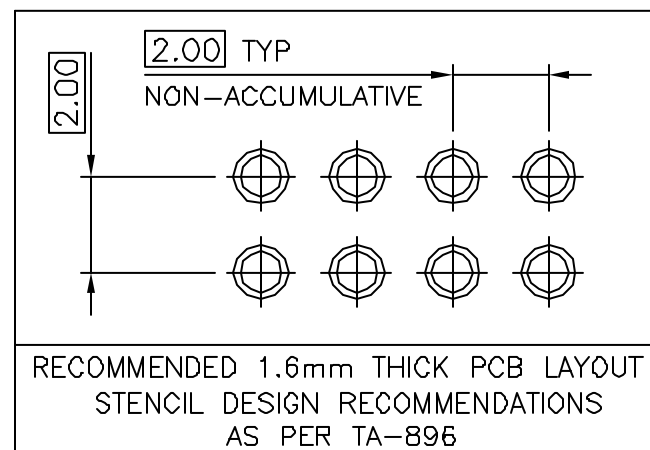
- MEETS PACKAGING SPECS AS PER GS-14-920

d - LEGAL STATEMENT: SEE GS-22-008

9. OPTIONAL LETTER:

- FOR FULL LOADED PRODUCT USE -
- FOR POLARIZED VERSIONS, SEE TABLE

OPTIONAL LETTER FOR POLARIZED VERSION	MISSING PIN POSITION
A	20



mat'l. code				surface	tolerance	projection	product family
				ISO 1302	ISO 406 ISO 1101	mm	MINITEK
ltr	ecn	na	dr	date	tolerances unless otherwise specified		title
A	F06-0326	LMU	07.01.04		angles	.X ±0.3	UNSH HEADER
B	F08-0168	LMU	08.05.08		linear	.XX ±0.13	2.00 mm VERTICAL PIP
C	F08-0145	ELA	08.05.19			.XXX ±0.05	scale 1:1
D	F08-0226	LMU	08.09.22	dr	L.MULIN	07.01.04	dwg no
				enr	J.COMPAGNON	07.01.04	sheet 1 of 1
				chr			size
				app	JM.C	07.01.04	10075024
sheet index	revision sheet						A3
							type
							CUSTOMER Drawing