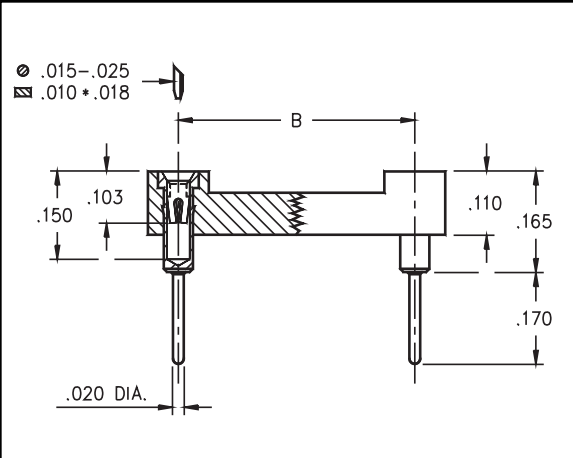




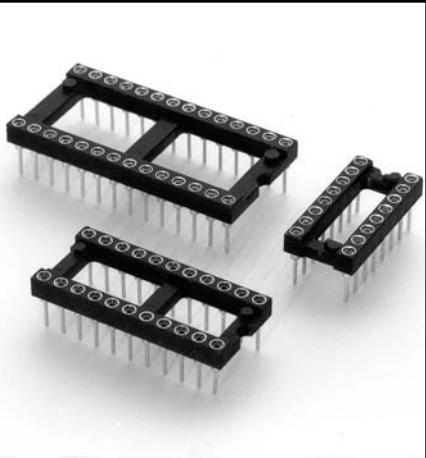
DUAL-IN-LINE SOCKETS

Long Solder Tail for Multilayer PC-Boards Open Frame

Series 111



- DIP sockets with increased solder tail length of .170", allowing application on multi-layer PCBs up to .139" thick. Other lengths available upon request.
- Hi-Rel, 4-finger BeCu #30 contact is rated at 3 amps. See page 208 for details.
- Series 111 use MM #0134 pins. See page 134 for details.
- Insulators are high temperature thermoplastic.



Total number of pins				Quantity per tube	<h2 style="margin: 0;">Ordering Information</h2>	
	A	B	C			

10	0.5	0.2	0.3	40	111-XX-210-41-001000	
4	0.2	0.3	0.4	102	111-XX-304-41-001000	
6	0.3	0.3	0.4	67	111-XX-306-41-001000	
8	0.4	0.3	0.4	50	111-XX-308-41-001000	
10	0.5	0.3	0.4	40	111-XX-310-41-001000	
14	0.7	0.3	0.4	28	111-XX-314-41-001000	
16	0.8	0.3	0.4	25	111-XX-316-41-001000	
18	0.9	0.3	0.4	22	111-XX-318-41-001000	
20	1.0	0.3	0.4	20	111-XX-320-41-001000	
22	1.1	0.3	0.4	18	111-XX-322-41-001000	
24	1.2	0.3	0.4	16	111-XX-324-41-001000	
28	1.4	0.3	0.4	14	111-XX-328-41-001000	
20	1.0	0.4	0.5	20	111-XX-420-41-001000	
22	1.1	0.4	0.5	18	111-XX-422-41-001000	
24	1.2	0.4	0.5	16	111-XX-424-41-001000	
28	1.4	0.4	0.5	14	111-XX-428-41-001000	
32	1.6	0.4	0.5	12	111-XX-432-41-001000	
24	1.2	0.6	0.7	16	111-XX-624-41-001000	
28	1.4	0.6	0.7	14	111-XX-628-41-001000	
32	1.6	0.6	0.7	12	111-XX-632-41-001000	
36	1.8	0.6	0.7	11	111-XX-636-41-001000	
40	2.0	0.6	0.7	10	111-XX-640-41-001000	
42	2.1	0.6	0.7	9	111-XX-642-41-001000	
48	2.4	0.6	0.7	8	111-XX-648-41-001000	
50	2.5	0.6	0.7	8	111-XX-650-41-001000	
52	2.6	0.6	0.7	7	111-XX-652-41-001000	
50	2.5	0.9	1.0	8	111-XX-950-41-001000	
52	2.6	0.9	1.0	7	111-XX-952-41-001000	
64	3.2	0.9	1.0	6	111-XX-964-41-001000	

**XX= Plating Code
See Below**

For RoHS compliance
select ◇ plating code.

SPECIFY PLATING CODE XX=	13◇	93	99	43◇	44◇
Sleeve (Pin)	10μ" Au	200μ" Sn/Pb	200μ" Sn/Pb	200μ" Sn	200μ" Sn
Contact (Clip)	30μ" Au	30μ" Au	200μ" Sn/Pb	30μ" Au	200μ" Sn