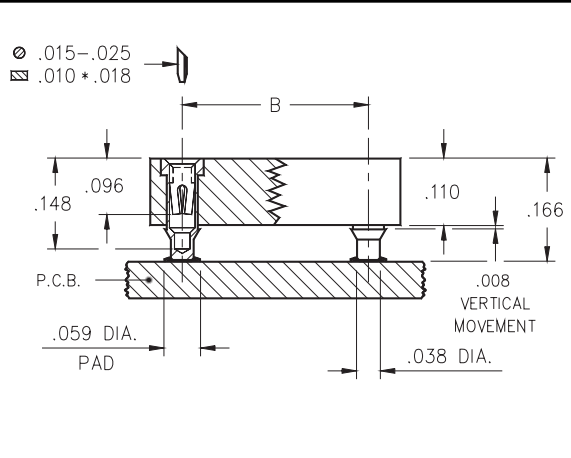




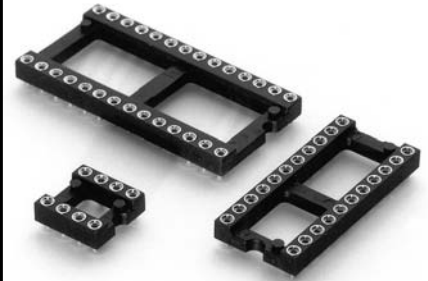
DUAL-IN-LINE SOCKETS

Surface Mount, Stub Tail Open Frame

Series 114



- Unique floating contacts compensate for the effects of unevenly dispensed solder paste.
- High temperature insulator can withstand infra-red reflow and vapor phase soldering.
- Hi-Rel, 4-finger BeCu #30 contact is rated at 3 amps. See page 218 for details.
- Series 114 use MM #1434 pins. See page 133 for details.



Total number of pins				Quantity per tube	<h2>Ordering Information</h2>
	A	B	C		

	A	B	C		
10	0.5	0.2	0.3	41	114-XX-210-41-117000
4	0.2	0.3	0.4	100	114-XX-304-41-117000
6	0.3	0.3	0.4	67	114-XX-306-41-117000
8	0.4	0.3	0.4	50	114-XX-308-41-117000
10	0.5	0.3	0.4	40	114-XX-310-41-117000
14	0.7	0.3	0.4	28	114-XX-314-41-117000
16	0.8	0.3	0.4	25	114-XX-316-41-117000
18	0.9	0.3	0.4	22	114-XX-318-41-117000
20	1.0	0.3	0.4	20	114-XX-320-41-117000
22	1.1	0.3	0.4	18	114-XX-322-41-117000
24	1.2	0.3	0.4	16	114-XX-324-41-117000
28	1.4	0.3	0.4	14	114-XX-328-41-117000
20	1.0	0.4	0.5	20	114-XX-420-41-117000
22	1.1	0.4	0.5	18	114-XX-422-41-117000
24	1.2	0.4	0.5	16	114-XX-424-41-117000
28	1.4	0.4	0.5	14	114-XX-428-41-117000
32	1.6	0.4	0.5	12	114-XX-432-41-117000
24	1.2	0.6	0.7	16	114-XX-624-41-117000
28	1.4	0.6	0.7	14	114-XX-628-41-117000
32	1.6	0.6	0.7	12	114-XX-632-41-117000
36	1.8	0.6	0.7	11	114-XX-636-41-117000
40	2.0	0.6	0.7	10	114-XX-640-41-117000
42	2.1	0.6	0.7	9	114-XX-642-41-117000
48	2.4	0.6	0.7	8	114-XX-648-41-117000
50	2.5	0.6	0.7	8	114-XX-650-41-117000
52	2.6	0.6	0.7	7	114-XX-652-41-117000
50	2.5	0.9	1.0	8	114-XX-950-41-117000
52	2.6	0.9	1.0	7	114-XX-952-41-117000
64	3.2	0.9	1.0	6	114-XX-964-41-117000



For RoHS compliance select ◇ plating code.

For Electrical, Mechanical & Environmental Data, See pg. 4

XX=Plating Code See Below

SPECIFY PLATING CODE XX=		93		43 ◇	
Sleeve (Pin)		200μ" Sn/Pb		200μ" Sn	
Contact (Clip)		30μ" Au		30μ" Au	