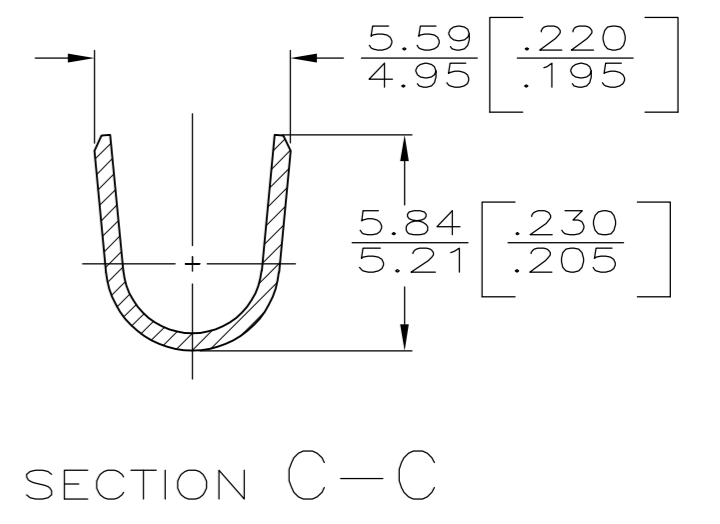
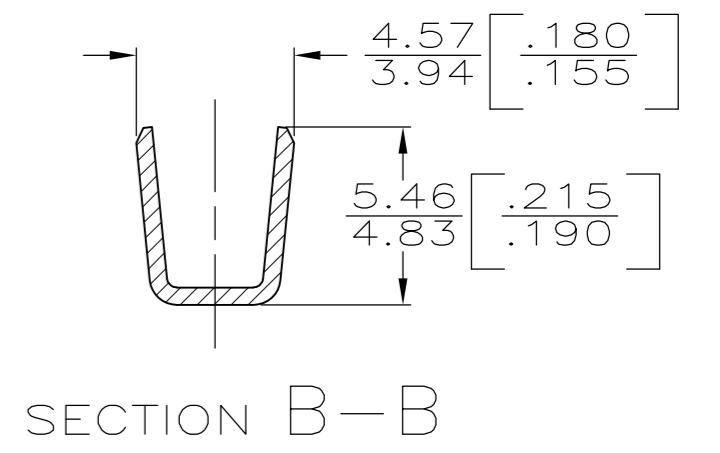
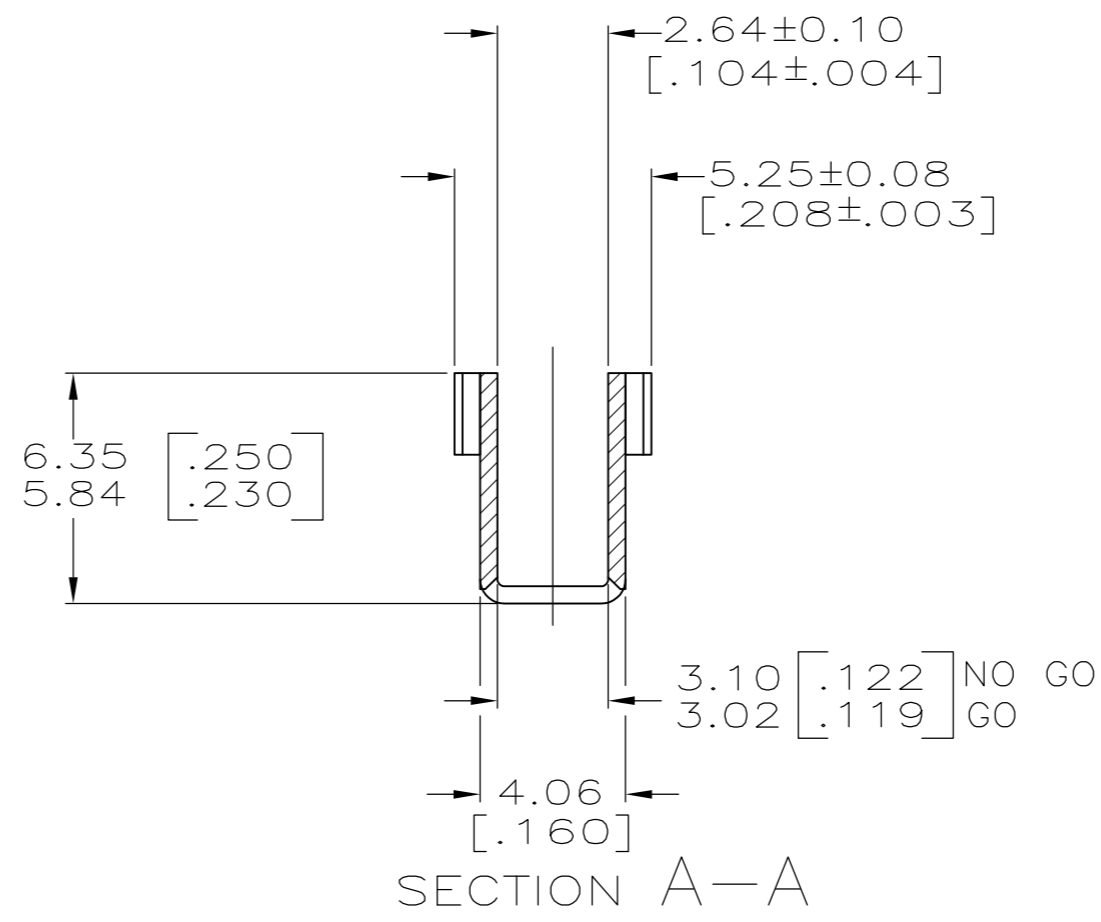
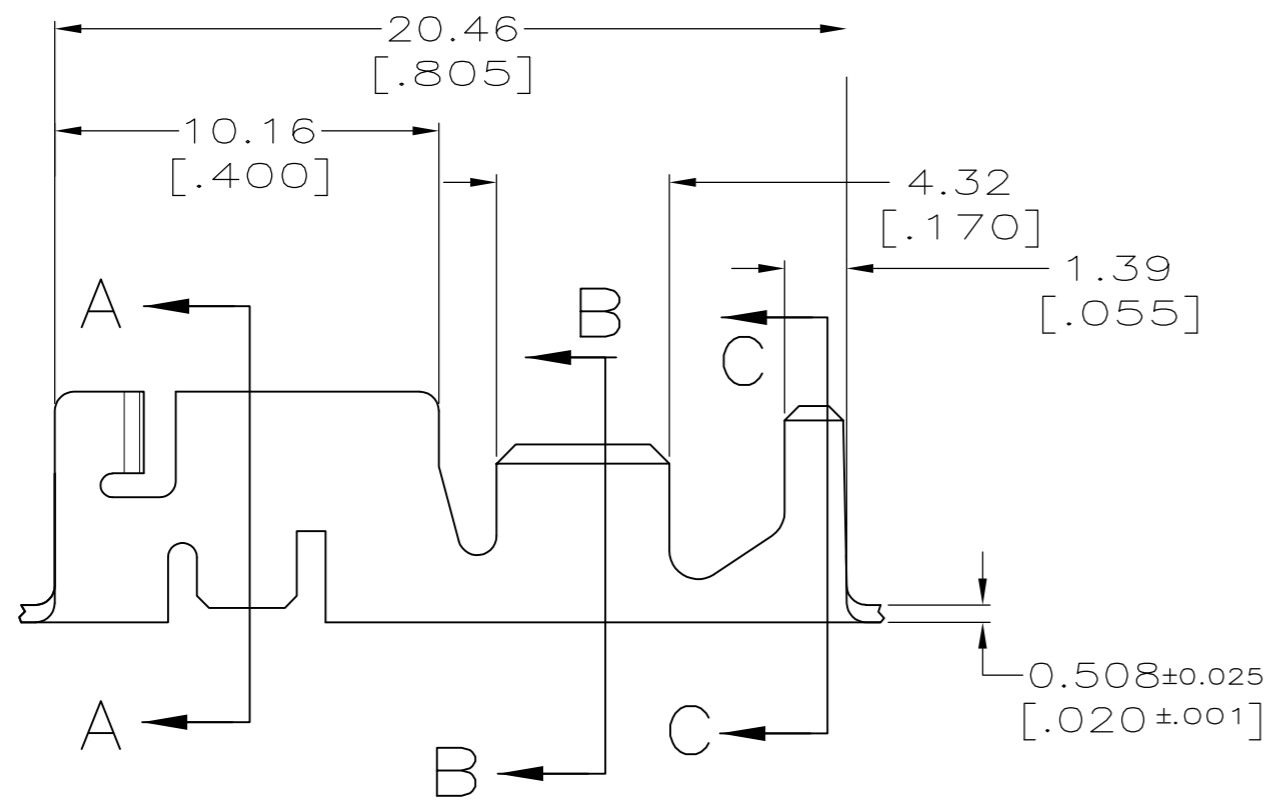
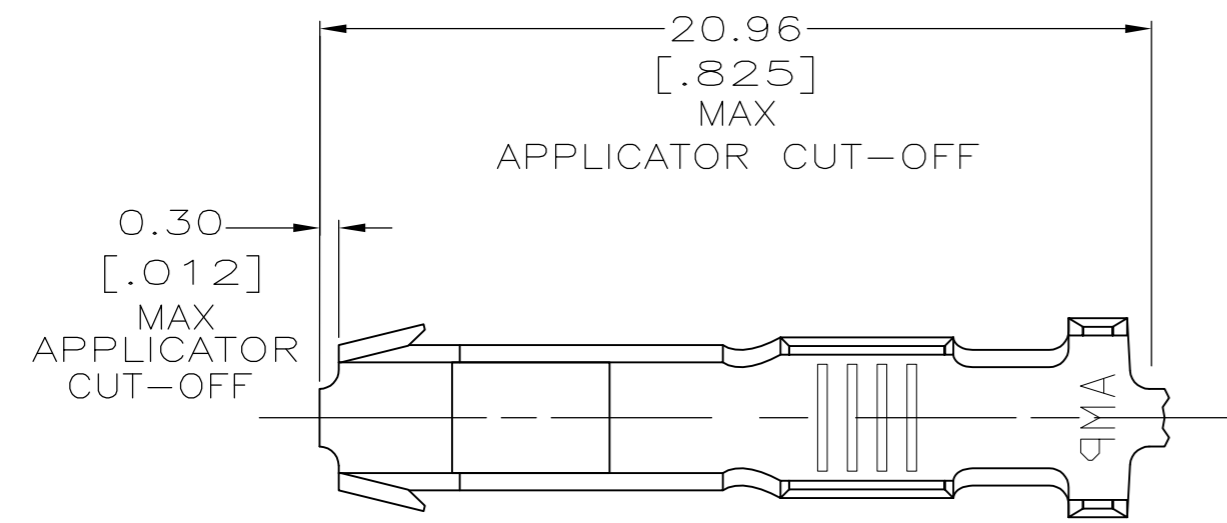


THIS DRAWING IS UNPUBLISHED. RELEASED FOR PUBLICATION  
 © COPYRIGHT BY TYCO ELECTRONICS CORPORATION. ALL RIGHTS RESERVED.

LOC		DIST		REVISIONS			
P	LTR	DESCRIPTION		DATE	DWN	APVD	
	F1	REVISED PER ECR-08-030897		10DEC08	HMR	GJ	

- 1 CONTINUOUS STRIP ON REELS WITH TERMINALS LOCATED ON 22.61[.890] CENTERS
- △2 PRODUCT SPEC DOES NOT APPLY TO PART NUMBER 1217175-4.
- △3 PART NUMBER 1217175-5 IS NOT QUALIFIED TO THE PRODUCT SPECIFICATION.
- 4 WIRE RANGE: 2.0 - 5.0 mm<sup>2</sup> [#14-#10 AWG].
- 5 INSULATION RANGE: 4.32[.170] MAX DIAMETER.
- △6 PRELIMINARY - NOT FOR PRODUCTION.



F OR O	4.57 [.180]	6.22 [.245]	F	3.56 [.140]	2.97 [.117]	5.0mm <sup>2</sup> [10]
					2.54 [.100]	3.0mm <sup>2</sup> [12]
					2.24 [.088]	2.0mm <sup>2</sup> [14]
TYPE	WIDTH	STRIP LENGTH ±0.38 [±.015]	TYPE	WIDTH	±0.051[±.002] HEIGHT	WIRE
INSUL BARREL CRIMP			WIRE BARREL CRIMP			

FINISH	MATERIAL	PART NUMBER
UNPLATED	H03 PH BRONZE	△6 △3 1217175-5
POST TIN	H02 CU-FE, C19500	△6 △2 1217175-4
POST TIN	H03 PHOSPHOR BRONZE	1217175-1

THIS DRAWING IS A CONTROLLED DOCUMENT.

DIMENSIONS: mm [INCHES]	TOLERANCES UNLESS OTHERWISE SPECIFIED:	DWN MICHAEL S. FEHER 06JUL1999	APVD PETE DESANTIS 07JUL1999	Tyco Electronics Corporation Harrisburg, PA 17105-3608	
	0 PLC ± -	CHK PETE DESANTIS 07JUL1999	NAME	RECEPTACLE, CLUSTER PIN, 3.18 [.125] DIA	
	1 PLC ± -	APVD PETE DESANTIS 07JUL1999	PRODUCT SPEC	108-2008 △3	
	2 PLC ± 0.25 [.010]	APPLICATION SPEC	114-2019	SIZE	A2
	3 PLC ± -	FINISH	SEE TABLE	CAGE CODE	00779
	4 PLC ± -	WEIGHT	-	DRAWING NO	C=1217175
	ANGLES ± -	CUSTOMER DRAWING	SCALE	5:1	SHEET 1 OF 1
			REV	F1	