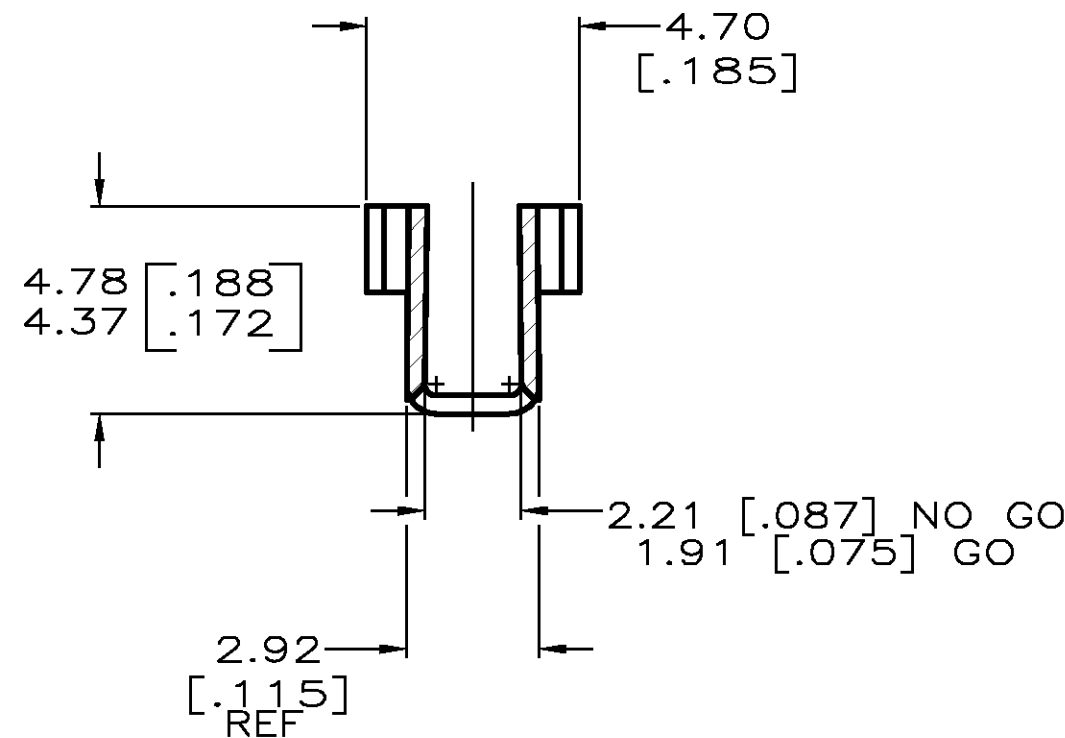
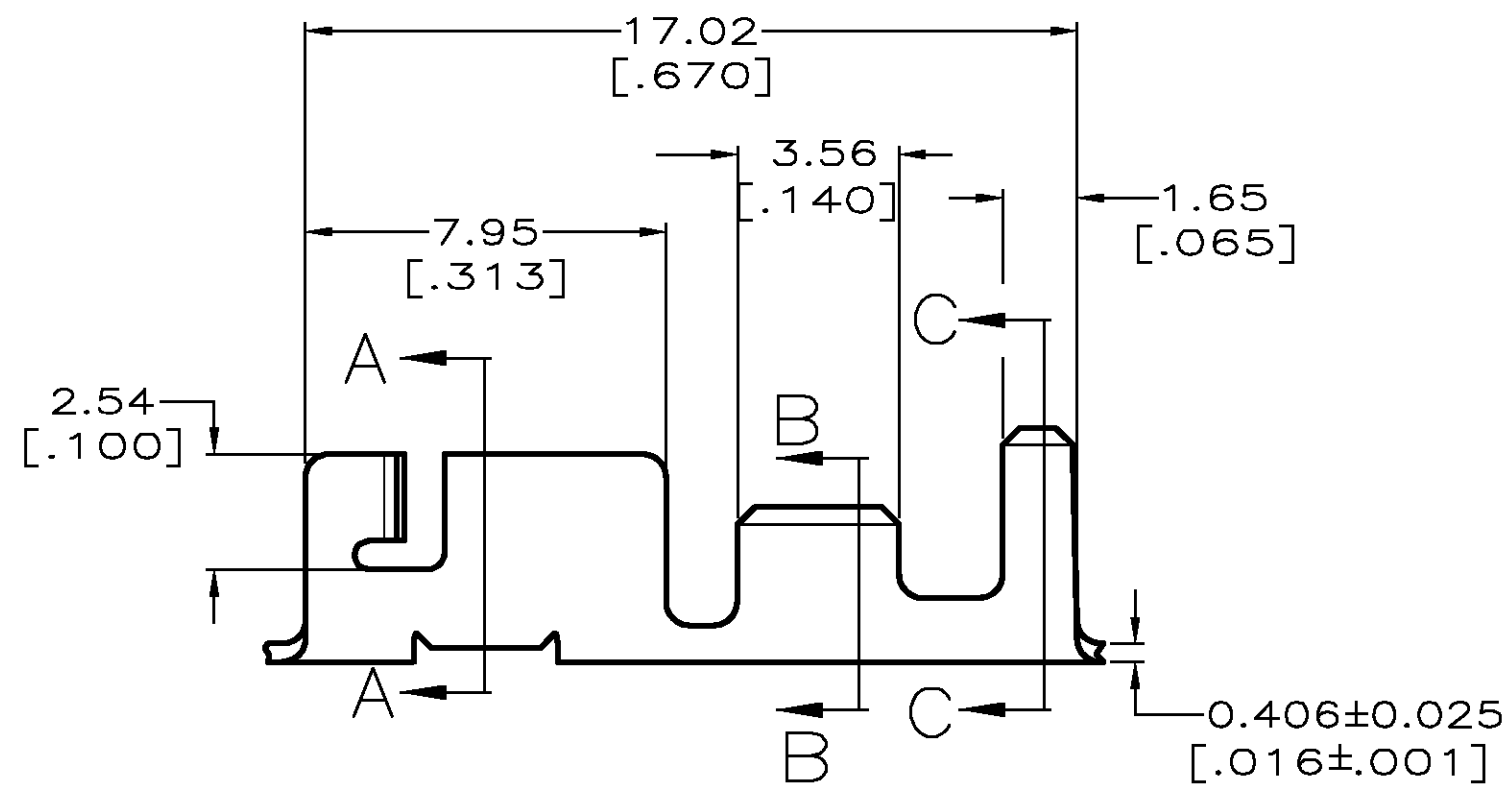
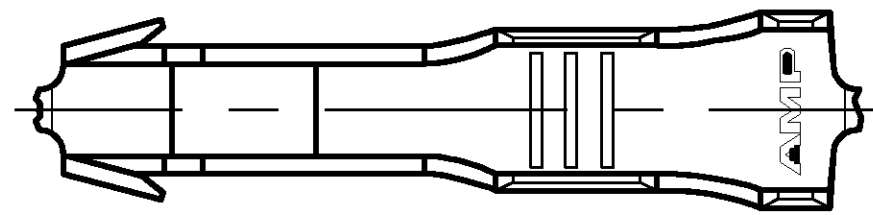


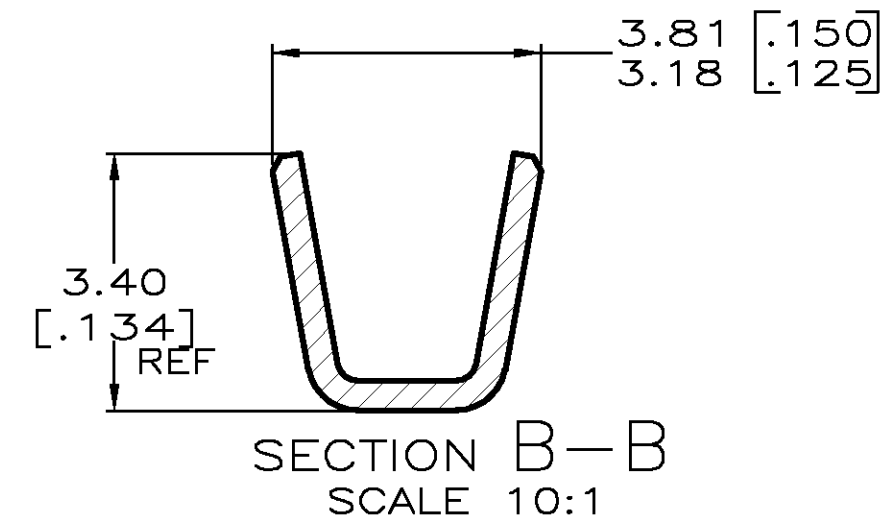
THIS DRAWING IS UNPUBLISHED. RELEASED FOR PUBLICATION  
 © COPYRIGHT BY TYCO ELECTRONICS CORPORATION. ALL RIGHTS RESERVED.

LOC	DIST	REVISIONS			
P	LTR	DESCRIPTION	DATE	DWN	APVD
AF	50	D	REV PER 063A-0638-02	25OCT02	MF GP

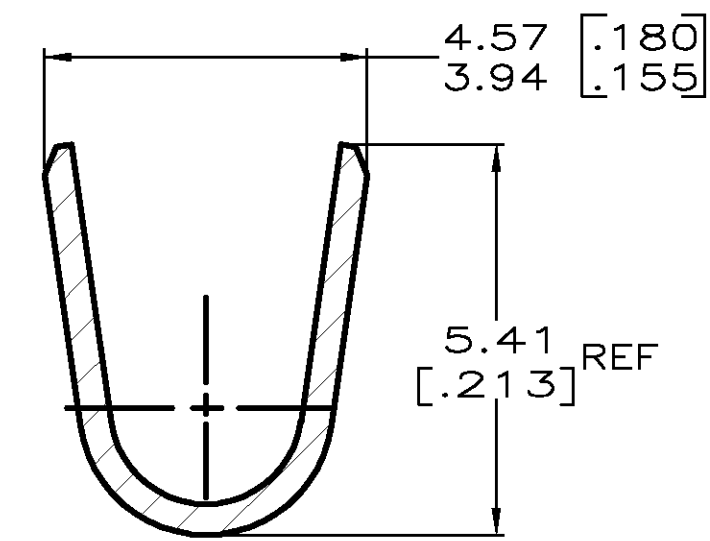
- 1 CONTINUOUS STRIP ON REELS WITH TERMINALS LOCATED ON 18.67±0.08 [.735±.003] CENTERS.
- 2 PRODUCT SPEC DOES NOT APPLY TO PART NUMBER 1217264-2.
- 3 PRELIMINARY - NOT FOR PRODUCTION.



SECTION A-A



SECTION B-B  
SCALE 10:1



SECTION C-C  
SCALE 10:1

TYPE	WIDTH	STRIP LENGTH ±0.38 ±015	TYPE	WIDTH	±051 [±.002] HEIGHT	WIRE
F OR O	3.3 [.130]	4.37 [.172]	F	2.54 [.100]	1.30 [.05]	0.35 [22]
					1.35 [.053]	0.5 [20]
					1.45 [.057]	0.75 [18]
					1.63 [.064]	1.5 [16]
					1.85 [.073]	2.0 [14]
INSUL BARREL CRIMP	WIRE BARREL CRIMP					

MATERIAL	INSULATION RANGE	WIRE BARREL	PART NUMBER
H02 CU-FE, C19500	2.03-3.81 [.080-.150] DIA	#22-#14 AWG	1217264-2
H03 PHOSPHOR BRONZE	2.03-3.81 [.080-.150] DIA	#22-#14 AWG	1217264-1

THIS DRAWING IS A CONTROLLED DOCUMENT.		DWN: MICHAEL S. FEHER 09NOV1999	Tyco Electronics Corporation Harrisburg, PA 17105-3608	
DIMENSIONS: MM [INCHES]		CHK: PETE DESANTIS 12NOV1999	RECEPTACLE, CLUSTER PIN, 2.29 [.090] DIA	
TOLERANCES UNLESS OTHERWISE SPECIFIED:		APVD: ALEX HUNT III 12NOV1999	SIZE: A2 CAGE CODE: 00779 DRAWING NO: 1217264	
0 PLC ± -		PRODUCT SPEC: 108-2008	RESTRICTED TO: -	
1 PLC ± -		APPLICATION SPEC: 114-2019	SCALE: 6:1 SHEET 1 OF 1 REV D	
2 PLC ± 0.25 [.010]		CUSTOMER DRAWING		
3 PLC ± -				
4 PLC ± -				
ANGLES ± -				
MATERIAL: SEE TABLE				
FINISH: 0.002032 [.000080] MIN TIN PLATE				