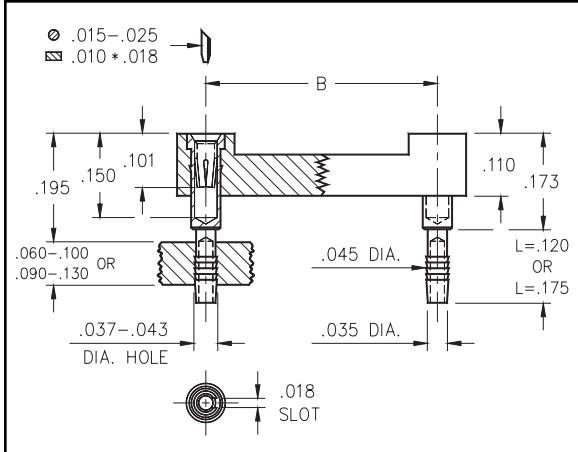


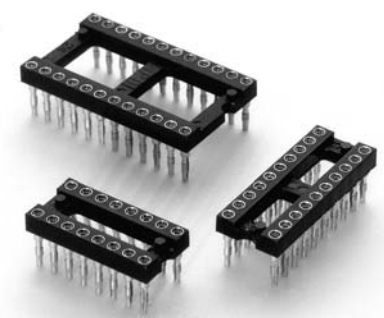


## DUAL-IN-LINE SOCKETS Solderless Press-Fit, Compliant Tail Open Frame

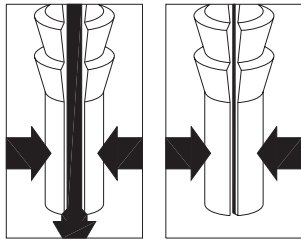
Series 146



- Unique compliant tail pins conform to  $.040 \pm .003$ " finished hole diameter without stressing inner layers.
- Two tails lengths are offered for  $.060$ "-. $100$ " and  $.090$ "-. $130$ " thick panels.
- Series 146 use MM #4612 or MM #4613 pins with a BeCu #30 contact, rated at 3 amps. See page 133 for details.
- Insulators are high temperature thermoplastic.



### APPLICATION OF COMPLIANT TAIL PINS



Mill-Max's patented\* compliant tail features precision-machined pins that are hollow and slotted to conform to a  $.040 \pm .003$ " diameter PTH. As the pin is inserted, the slot compresses to fit the PTH, thus avoiding damage (see illustration at left). The pin's tail has fine serrations that form a perfect "gas tight" connection that doesn't require soldering. And since the pin doesn't damage the hole, compliant tail sockets and connectors can be easily replaced.

\*Patent No. 4,799,904.

Total number of pins				Quantity per tube	Ordering Information						
	A	B	C		L=.120 (for .060"-.100" thick panel)	L=.175 (for .090"-.130" thick panel)					
6	0.3	0.3	0.4	67	146-XX-306-41-012000	146-XX-306-41-013000	<div style="border: 1px solid green; padding: 5px; margin-bottom: 10px;"> <i>For RoHS compliance select <span style="color: green;">◇</span> plating code.</i> </div> <div style="border: 1px solid black; border-radius: 50%; padding: 10px; margin-bottom: 10px; display: inline-block;"> <i>For Electrical, Mechanical &amp; Environmental Data, See pg. 4</i> </div> <div style="border: 1px solid black; border-radius: 50%; padding: 10px; display: inline-block;"> <i>XX=Plating Code See Below</i> </div>				
8	0.4	0.3	0.4	50	146-XX-308-41-012000	146-XX-308-41-013000					
14	0.7	0.3	0.4	28	146-XX-314-41-012000	146-XX-314-41-013000					
16	0.8	0.3	0.4	25	146-XX-316-41-012000	146-XX-316-41-013000					
18	0.9	0.3	0.4	22	146-XX-318-41-012000	146-XX-318-41-013000					
20	1.0	0.3	0.4	20	146-XX-320-41-012000	146-XX-320-41-013000					
24	1.2	0.3	0.4	16	146-XX-324-41-012000	146-XX-324-41-013000					
22	1.1	0.4	0.5	18	146-XX-422-41-012000	146-XX-422-41-013000					
24	1.2	0.6	0.7	16	146-XX-624-41-012000	146-XX-624-41-013000					
28	1.4	0.6	0.7	14	146-XX-628-41-012000	146-XX-628-41-013000					
32	1.6	0.6	0.7	12	146-XX-632-41-012000	146-XX-632-41-013000					
40	2.0	0.6	0.7	10	146-XX-640-41-012000	146-XX-640-41-013000					
SPECIFY PLATING CODE XX=								93		43◇	
Sleeve (Pin)								200μ" Sn/Pb		200μ" Sn	
Contact (Clip)								30μ" Au		30μ" Au	