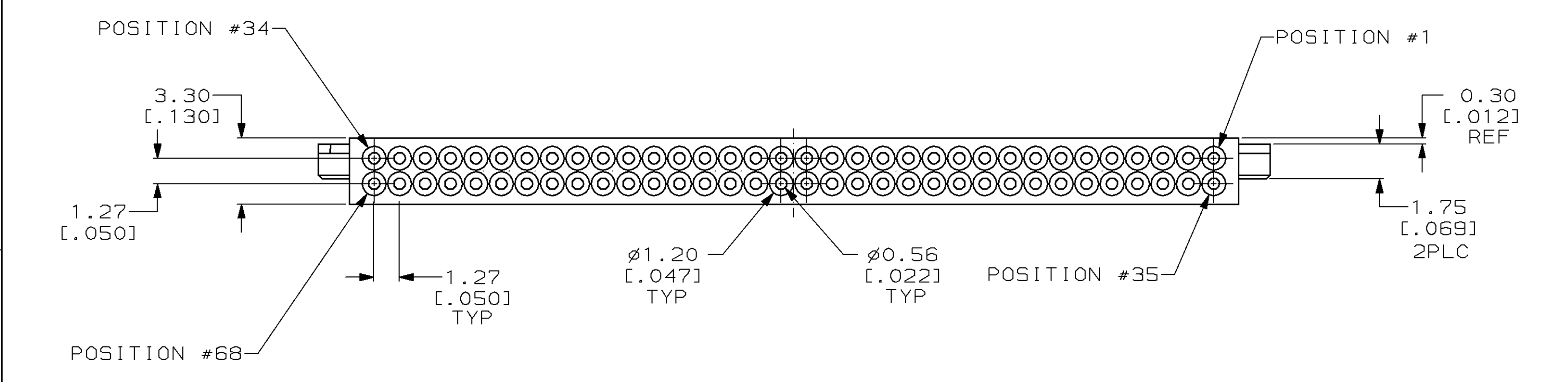
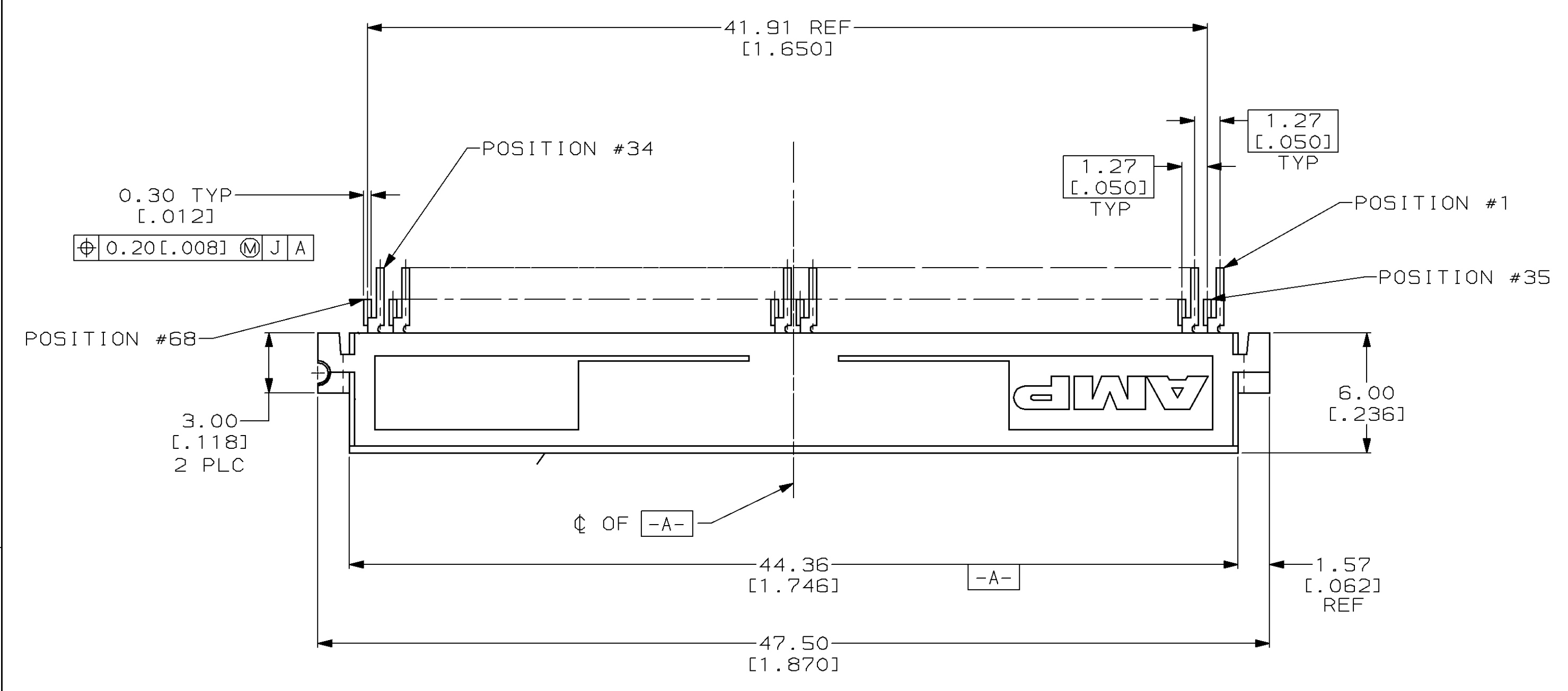
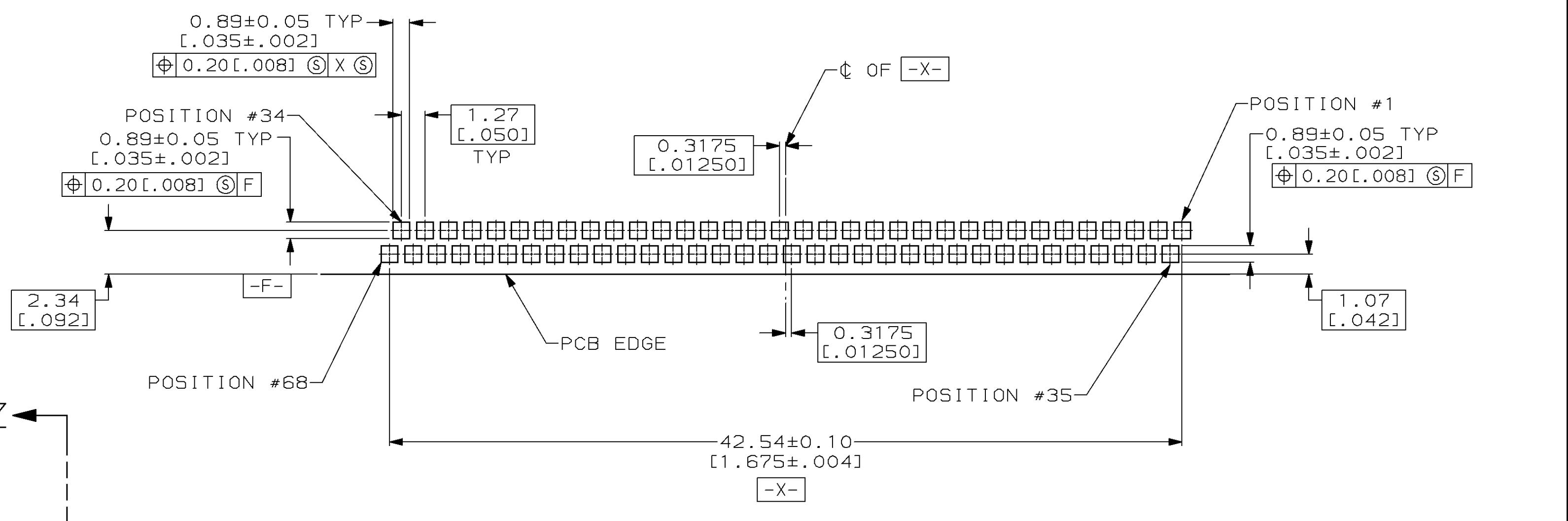


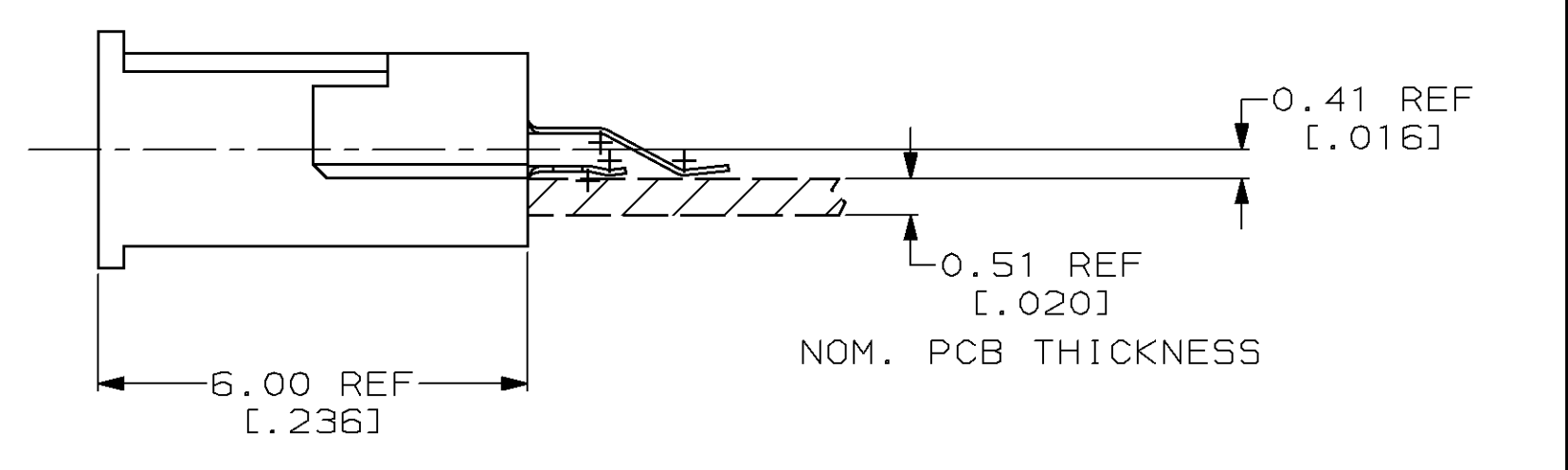
LOC		REVISONS		DATE	OWN	APPROV
AD	DIST	REV	DESCRIPTION			
	39	0	RELEASED	01/19/95	DW	DD
		A	REV PER 0010-0254-95	03/24/95	DW	DD
		B	REV PER 0010-1110-95	01/27/95	DW	DD
		C	REV PER 0010-1380-95	11/14/95	DW	DD
		D	REV PER 0410-0091-96	12/19/96	JR	DD
		E	REV PER 0410-0153-96	12/19/96	JR	DD



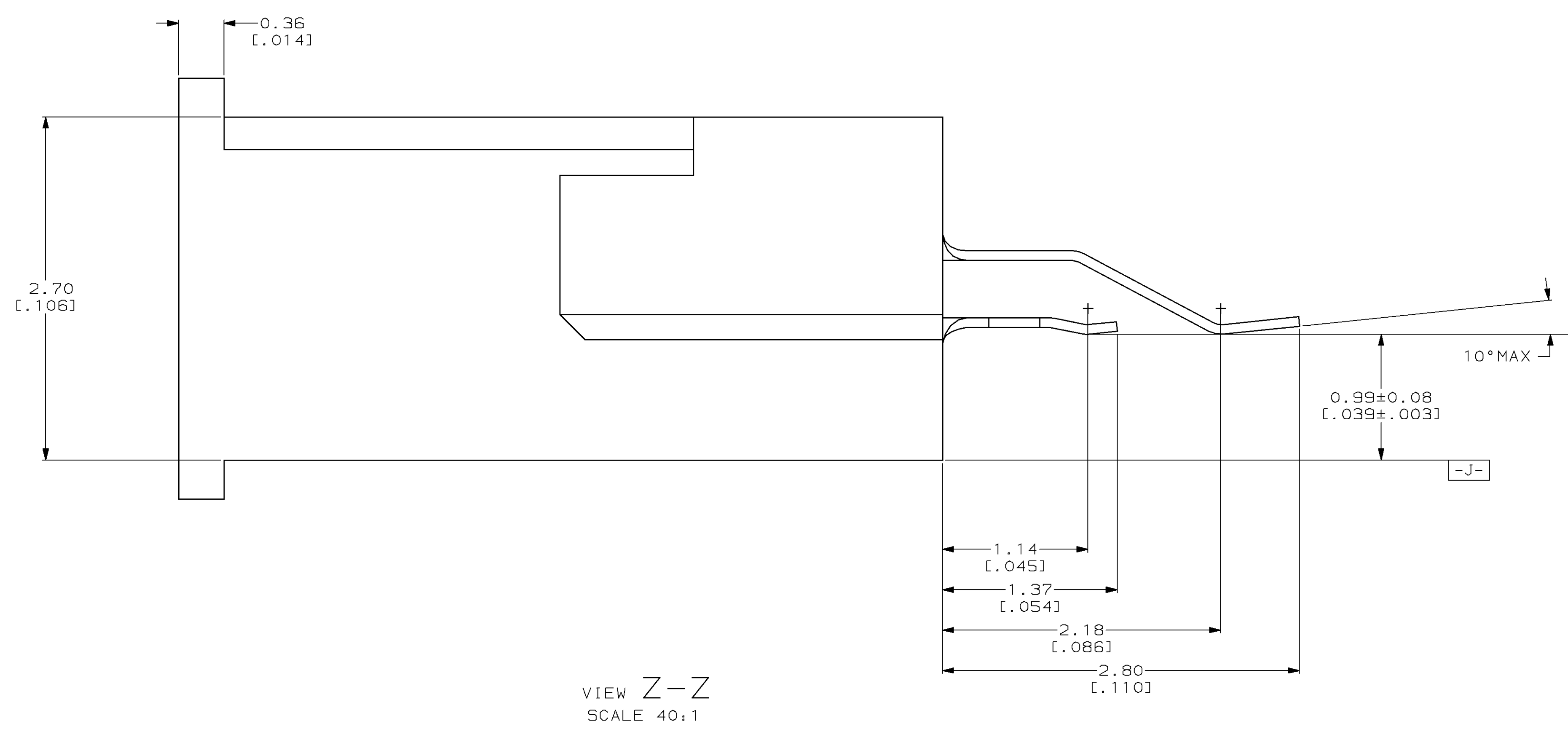
- 1 HOUSING: LCP, GLASS FILLED, COLOR: BLACK.
- 2 CONTACT: BERYLLIUM COPPER.
- 3 0.00076[.000030] MINIMUM GOLD ON MATING AREA, 0.00254[.000100] MINIMUM TIN-LEAD ON SOLDER TAIL, ALL OVER 0.00127[.000050] MINIMUM NICKEL.
- 4 DIMENSION IN REFERENCE TO LOWEST POINT OF EACH LEAD.
- 5 POINT OF CONTACT 2.3[.091] REF FROM MATING FACE.
- 6 APPLIES TO ALL SOLDER TAILS.
- 7 0.000127[.000005]-0.000203[.000008] GOLD ON MATING AREA, 0.00254[.000100] MINIMUM TIN-LEAD ON SOLDER TAIL, ALL OVER 0.00127[.000050] MINIMUM NICKEL.



RECOMMENDED PC BOARD LAYOUT



PC BOARD LOCATION (REF)  
SCALE: 10:1



VIEW Z-Z  
SCALE 40:1

OBsolete	68	146229-2
	68	146229-1
PLATING POSITIONS		PART NUMBER

DIMENSIONS: mm		TOLERANCES UNLESS OTHERWISE SPECIFIED: 0 PLC ±. 1 PLC ±. 2 PLC ±0.13 [.005] 3 PLC ±. 4 PLC ±. ANGLE 40°30'±		DATE: 01/19/95 D WERTZ DATE: 01/19/95 D DIXON DATE: 01/19/95 D DIXON		<b>AMP</b> AMP Incorporated Harrisburg, PA 17105-3508	
MATERIAL:				NAME: RCPT ASSEMBLY, SURFACE MOUNT, 68 POS, 0.41mm/.016in OFFSET, AMP MEMORY CARD			
FINISH:		WEIGHT: -		SIZE: A1	CAGE CODE: 00779	DRAWING NO: C=146229	SCALE: 5:1
CUSTOMER DRAWING				SHEET: 11	OF: 11	REV: E	DATE: 01/19/95