

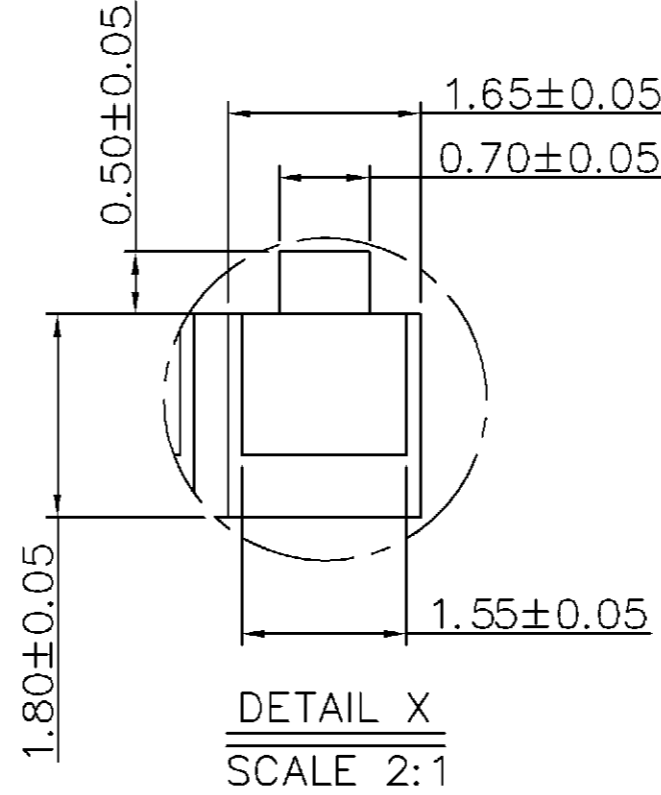
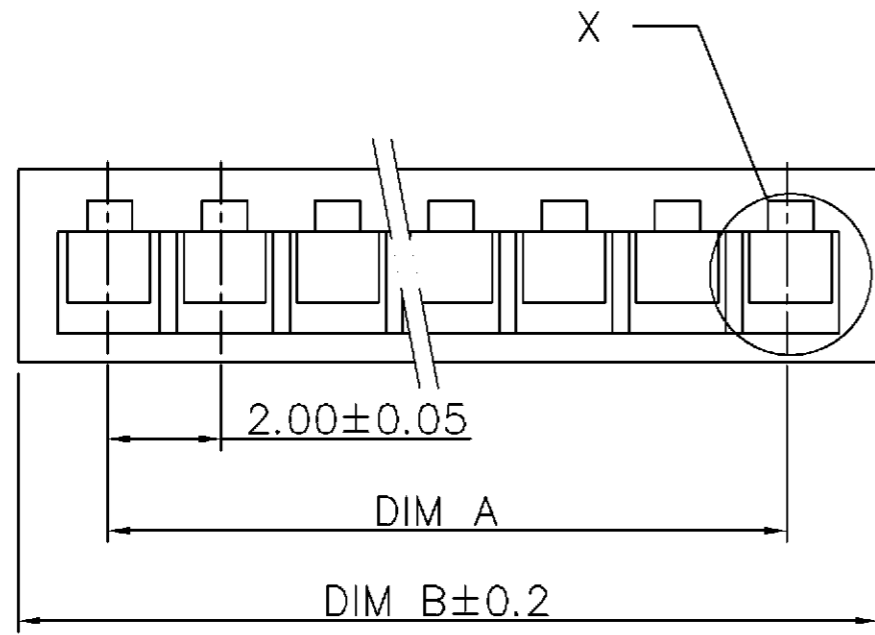
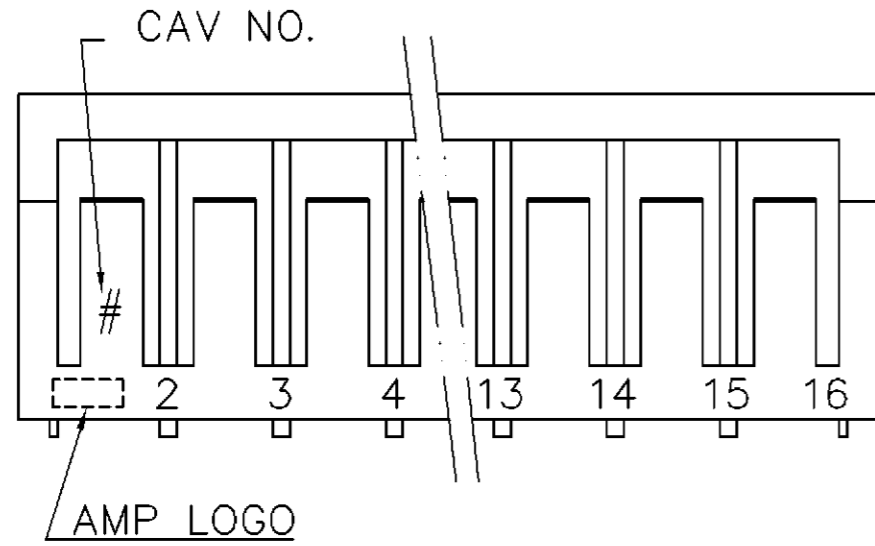
THIS INFORMATION IS CONFIDENTIAL AND IS DISCLOSED TO YOU ON CONDITION THAT NO FURTHER DISCLOSURE IS MADE BY YOU TO OTHER THAN AMP PERSONNEL WITHOUT WRITTEN AUTHORIZATION FROM AMP (TAIWAN) LTD. DIMENSIONS IN MILLIMETERS. DO NOT SCALE PRINT.

PRINT DW

METRIC



NUMBER C-1470199



NOTE:

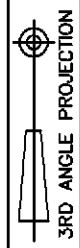
- MATERIAL :
HOUSING : THERMOPLASTIC UL94V-0,
WHITE COLOR.

DIM B	DIM A	POS.	PART NUMBER
33.2	30.00±0.15	16	1-1470199-6
31.2	28.00±0.15	15	1-1470199-5
29.2	26.00±0.15	14	1-1470199-4
27.2	24.00±0.15	13	1-1470199-3
25.2	22.00±0.15	12	1-1470199-2
23.2	20.00±0.15	11	1-1470199-1
21.2	18.00±0.10	10	1-1470199-0
19.2	16.00±0.10	9	1470199-9
17.2	14.00±0.10	8	1470199-8
15.2	12.00±0.10	7	1470199-7
13.2	10.00±0.08	6	1470199-6
11.2	8.00±0.08	5	1470199-5
9.2	6.00±0.08	4	1470199-4
7.2	4.00±0.05	3	1470199-3
5.2	2.00±0.05	2	1470199-2

0	FIRST RELEASED	FZ00-0155-02	OH	18JUL
LTR	REVISION RECORD	ECN	DWN	2002
			CHK	DATE

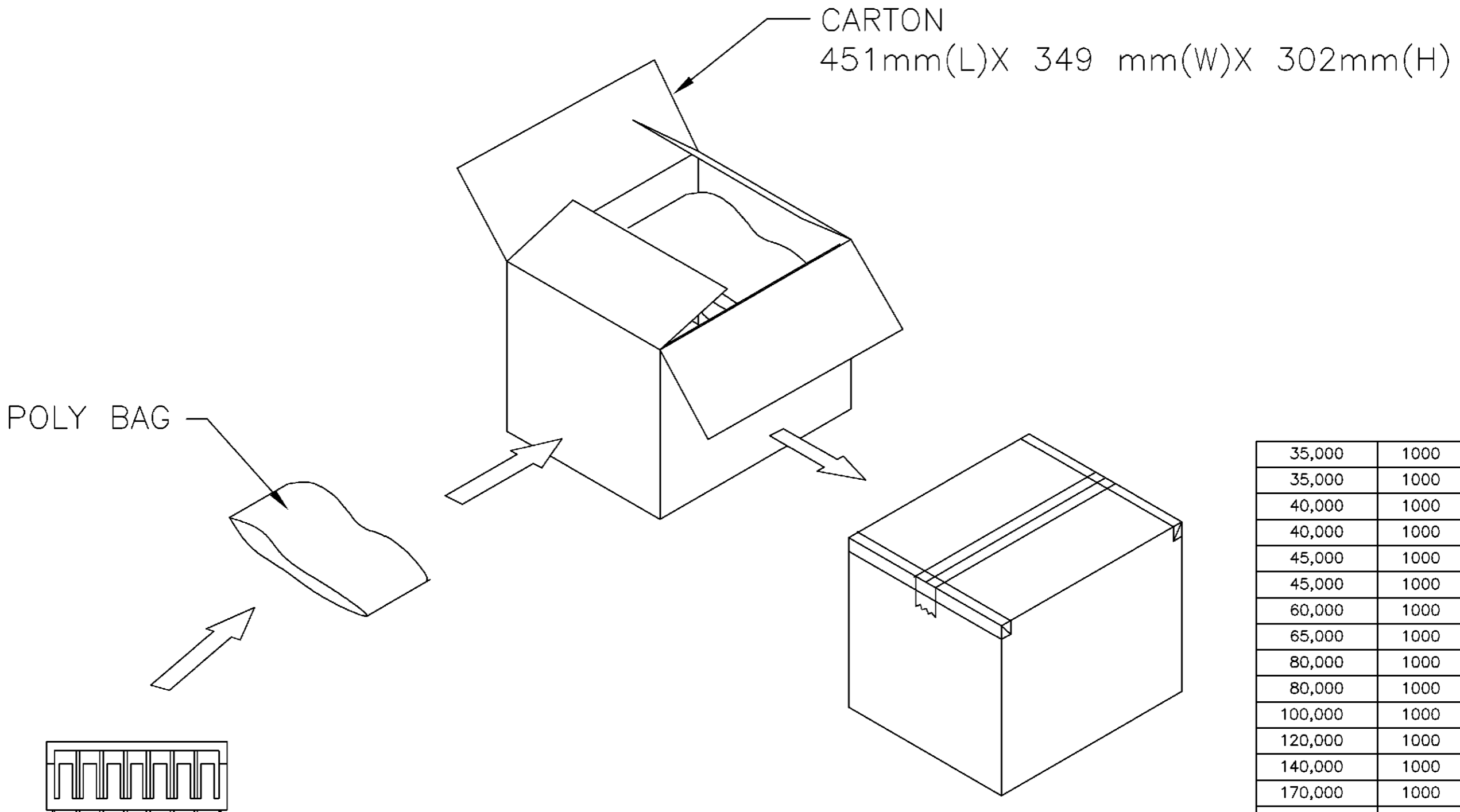
DIMENSION : 0 PLC ± 1 PLC ±0.20 2 PLC ±0.10 3 PLC ±0.05 ANGLES ±	DWN	O. HU	TYCO HOLDINGS (BERMUDA) VII LTD. TAIWAN BRANCH		
		16-JULY-2002			
MATERIAL	CHK	J. CHENG	NAME 2.0 MM PITCH, CRIMP, RIGHT ANGLE, HOUSING		
		16-JULY-2002			
SEE NOTE	APVD	J. WU	LOC	SIZE	DRAWING NO
		16-JULY-2002	DW	A ₃	C-1470199
SEE NOTE	PRODUCT SPEC	108-57158	SCALE	SHEET	
	QUALIFICATION TEST REPORT	501-57248		1 OF 2	
	WEIGHT				

NUMBER C-1470199



METRIC

THIS INFORMATION IS CONFIDENTIAL AND IS DISCLOSED TO YOU ON CONDITION THAT NO FURTHER DISCLOSURE IS MADE BY YOU TO OTHER THAN AMP PERSONNEL WITHOUT WRITTEN AUTHORIZATION FROM AMP (TAIWAN) LTD. DIMENSIONS IN MILLIMETERS. DO NOT SCALE PRINT.



35,000	1000	1-1470199-6
35,000	1000	1-1470199-5
40,000	1000	1-1470199-4
40,000	1000	1-1470199-3
45,000	1000	1-1470199-2
45,000	1000	1-1470199-1
60,000	1000	1-1470199-0
65,000	1000	1470199-9
80,000	1000	1470199-8
80,000	1000	1470199-7
100,000	1000	1470199-6
120,000	1000	1470199-5
140,000	1000	1470199-4
170,000	1000	1470199-3
260,000	1000	1470199-2
APQ (PCS/CARTON)	PPQ (PCS/BAG)	PART NUMBER

DIMENSION : 0 PLC ± 1 PLC ± 2 PLC ± 3 PLC ± ANGLES ±	DWN	O. HU	AMP TYCO HOLDINGS (BERMUDA) VII LTD. TAIWAN BRANCH			
	CHK	J. CHENG				
MATERIAL	APVD	J. WU	NAME 2.0 MM PITCH, CRIMP, RIGHT ANGLE, HOUSING			
	PRODUCT SPEC	16-JULY-2002				
FINISH	APPLICATION SPEC		LOC	SIZE	DRAWING NO	REV
	WEIGHT		DW	A ₃	C-1470199	0
SEE NOTE			SCALE	SHEET		
			--	2 OF 2		

	SEE SHEET 1.			
LTR	REVISION RECORD	ECN	DWN/CHK	DATE

PRINT DIST DW

8 7 6 5 4 3 2 1 CUSTOMER DRAWING