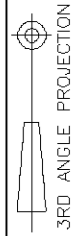


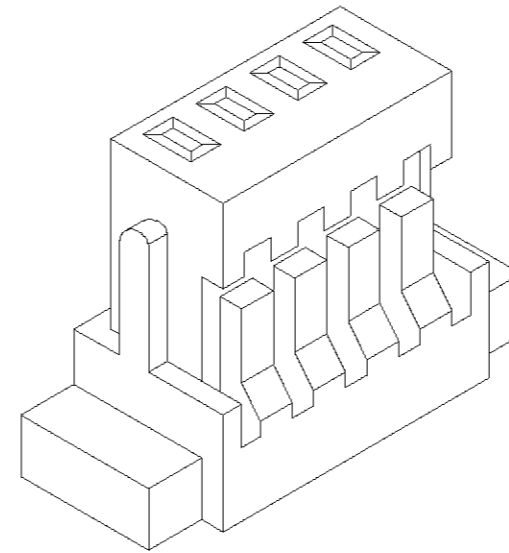
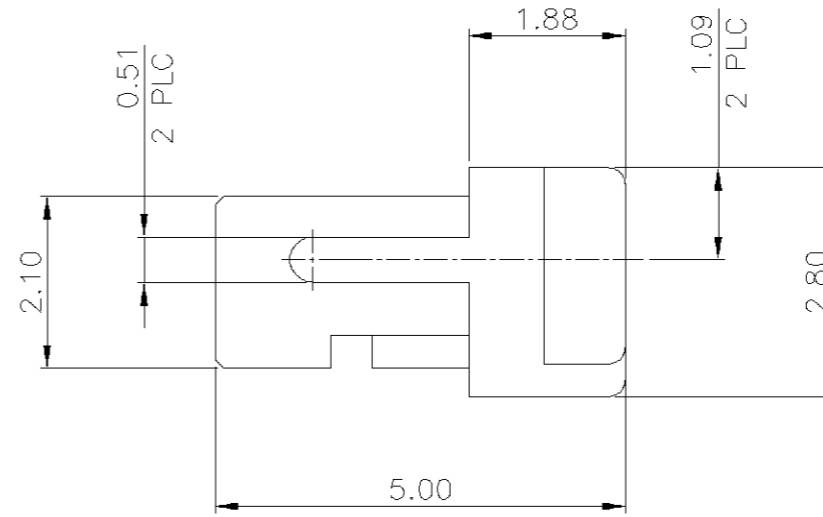
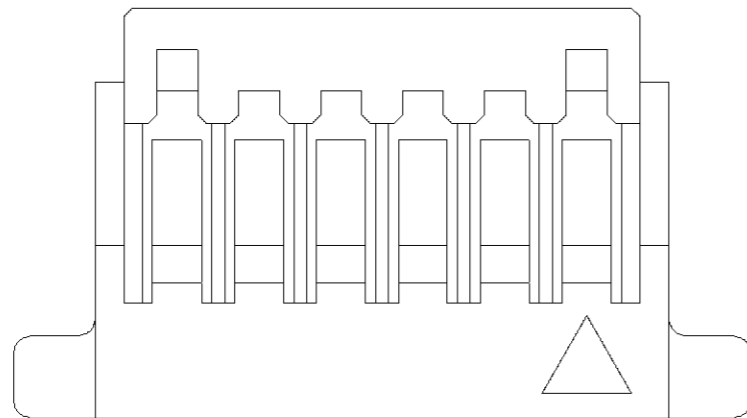
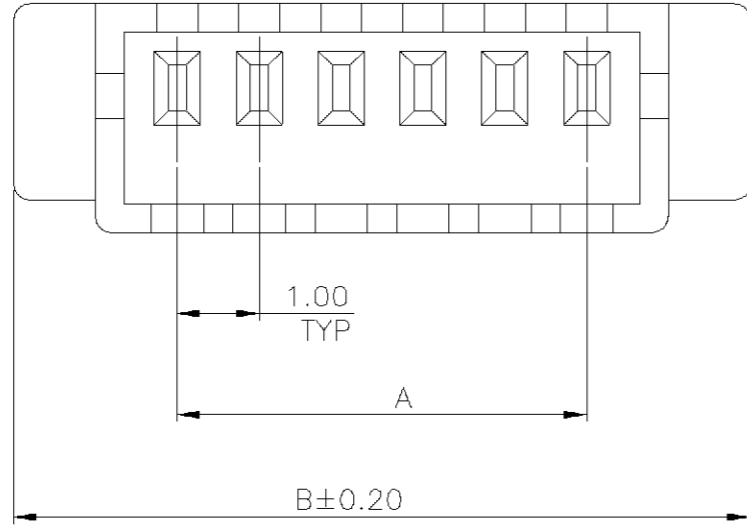
NUMBER
C-1470364



METRIC

THIS INFORMATION IS CONFIDENTIAL AND IS DISCLOSED TO YOU ON CONDITION THAT NO FURTHER DISCLOSURE IS MADE BY YOU TO OTHER THAN AMP PERSONNEL WITHOUT WRITTEN AUTHORIZATION FROM AMP (TAIWAN) LTD. DIMENSIONS IN MILLIMETERS. DO NOT SCALE PRINT.

PRINT DIST
DW



NOTE:

- MATERIAL:
HOUSING: THERMOPLASTIC UL 94V-0.
- APPLY TERMINAL PART NUMBER: 1470365-X
- PACKAGING: BAG.

18.00	14.00	15	1-1470364-5
17.00	13.00	14	1-1470364-4
16.00	12.00	13	1-1470364-3
15.00	11.00	12	1-1470364-2
14.00	10.00	11	1-1470364-1
13.00	9.00	10	1-1470364-0
12.00	8.00	9	1470364-9
11.00	7.00	8	1470364-8
10.00	6.00	7	1470364-7
9.00	5.00	6	1470364-6
8.00	4.00	5	1470364-5
7.00	3.00	4	1470364-4
6.00	2.00	3	1470364-3
5.00	1.00	2	1470364-2
DIM. B	DIM. A	NO. OF CONTACTS	PART NUMBER

O	FIRST RELEASED	FZ00-0221-02	AW JC	09OCT 2002
LTR	REVISION RECORD	ECN	DWN CHK	DATE

DIMENSION : 0 PLC ±- 1 PLC ±- 2 PLC ±0.10 3 PLC ±- ANGLES ±-		DWN A. WU 22-OCT-2002	tyco TYCO HOLDINGS (BERMUDA) VII LTD. TAIWAN BRANCH	
MATERIAL SEE NOTE		CHK J. CHENG 22-OCT-2002	NAME Electronics	
FINISH -		APVD J. WU 22-OCT-2002	1.0 MM PITCH WIRE TO BOARD CONNECTOR, RECEPTACLE, SMT, HOUSING	
		PRODUCT SPEC 108-57264	LOC DW	SIZE A ₃
		APPLICATION SPEC -	DRAWING NO C-1470364	REV O
		WEIGHT	SCALE --	SHEET 1 OF 2

8

7

6

5

4

3

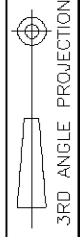
2

1

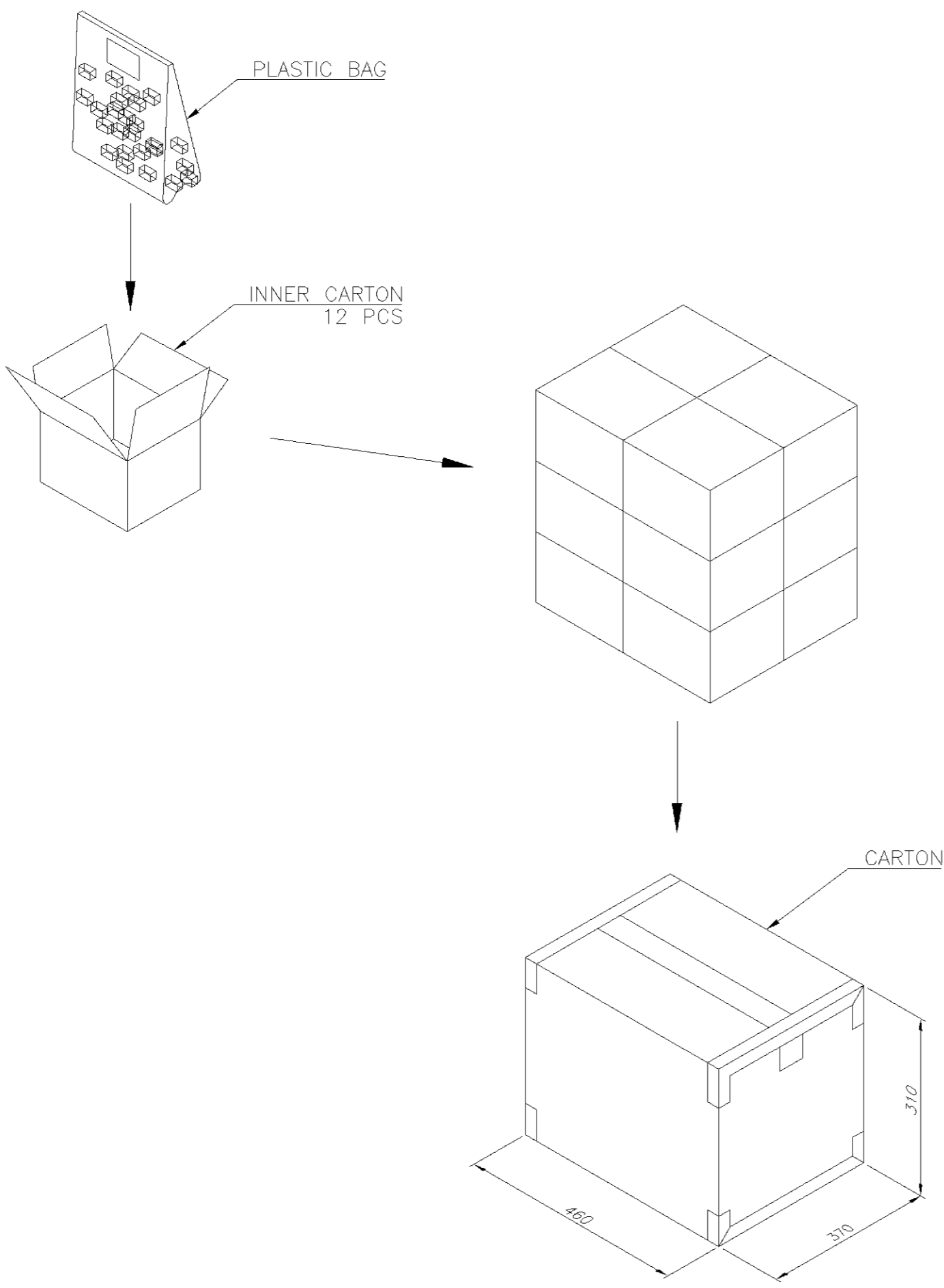
CUSTOMER DRAWING

THIS INFORMATION IS CONFIDENTIAL AND IS DISCLOSED TO YOU ON CONDITION THAT NO FURTHER DISCLOSURE IS MADE BY YOU TO OTHER THAN AMP PERSONNEL WITHOUT WRITTEN AUTHORIZATION FROM AMP (TAIWAN) LTD. DIMENSIONS IN MILLIMETERS. DO NOT SCALE PRINT.

METRIC



NUMBER
C-1470364



NO. OF CONTACTS	GROSS WEIGHT	NET WEIGHT	QUANTITY
15	8.72 KG	5.95 KG	48000 PCS
14	8.39 KG	5.62 KG	48000 PCS
13	8.05 KG	5.28 KG	48000 PCS
12	7.71 KG	4.94 KG	48000 PCS
11	9.68 KG	6.91 KG	72000 PCS
10	9.18 KG	6.41 KG	72000 PCS
9	8.67 KG	5.90 KG	72000 PCS
8	8.17 KG	5.40 KG	72000 PCS
7	7.67 KG	4.90 KG	72000 PCS
6	8.63 KG	5.86 KG	96000 PCS
5	7.95 KG	5.18 KG	96000 PCS
4	7.28 KG	4.51 KG	96000 PCS
3	6.61 KG	3.84 KG	96000 PCS
2	5.94 KG	3.17 KG	96000 PCS

DIMENSION : 0 PLC ±- 1 PLC ±- 2 PLC ±- 3 PLC ±- ANGLES ±-		DWN A. WU 22-OCT-2002 CHK J. CHENG 22-OCT-2002	tyco TYCO HOLDINGS (BERMUDA) Electronics VII LTD. TAIWAN BRANCH	
MATERIAL	-	APVD J. WU 22-OCT-2002	NAME 1.0 MM PITCH WIRE TO BOARD CONNECTOR, RECEPTACLE, SMT, HOUSING	
FINISH	-	PRODUCT SPEC	LOC DW A ₃	DRAWING NO C-1470364 REV 0
		APPLICATION SPEC	SCALE --	SHEET 2 OF 2
		WEIGHT		

SEE SHEET 1.	ECN	DWN	CHK	DATE
LTR	REVISION RECORD			