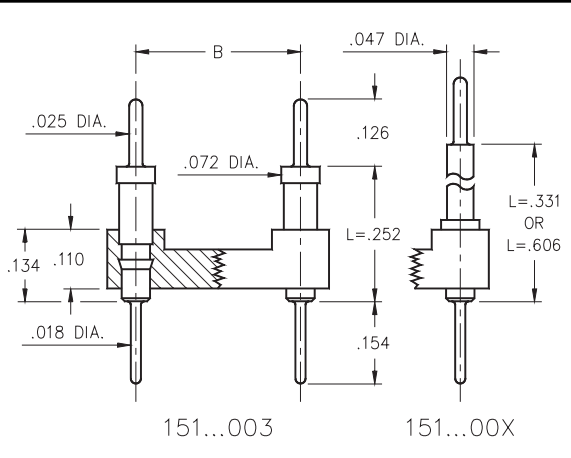




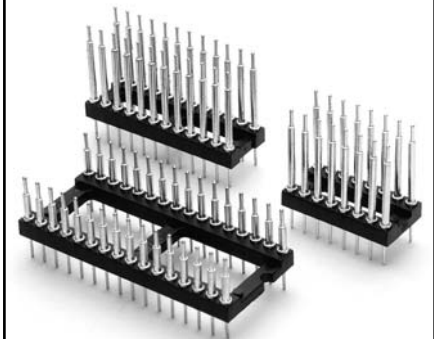
# DUAL-IN-LINE PIN HEADERS

## Interconnect Open Frame

Series 151...003, 004, 005



- Series 151 DIL Headers combine .025" dia. tails with pluggable .018" dia. solder tails.
- Series:  
151...003 use MM #5503 pins  
151...004 use MM #5504 pins  
151...005 use MM #5505 pins  
See page 181 for details.
- Insulators are high temperature thermoplastic.



Total number of pins				Quantity per tube	<div style="border: 1px solid black; border-radius: 50%; padding: 5px; display: inline-block;">                     For Electrical, Mechanical &amp; Environmental Data, See pg. 4                 </div>			<div style="border: 1px solid black; padding: 5px; display: inline-block;"> <b>Ordering Information</b> </div>			<div style="border: 1px solid black; padding: 5px; display: inline-block;">                     RoHS 2002/95/EC                 </div>		
	A	B	C		L = .252	L = .331	L = .606						
10	0.5	0.2	0.3	41	151-10-210-00-003000	151-10-210-00-004000	151-10-210-00-005000						
4	0.2	0.3	0.4	102	151-10-304-00-003000	151-10-304-00-004000	151-10-304-00-005000						
6	0.3	0.3	0.4	67	151-10-306-00-003000	151-10-306-00-004000	151-10-306-00-005000						
8	0.4	0.3	0.4	50	151-10-308-00-003000	151-10-308-00-004000	151-10-308-00-005000						
10	0.5	0.3	0.4	40	151-10-310-00-003000	151-10-310-00-004000	151-10-310-00-005000						
14	0.7	0.3	0.4	28	151-10-314-00-003000	151-10-314-00-004000	151-10-314-00-005000						
16	0.8	0.3	0.4	25	151-10-316-00-003000	151-10-316-00-004000	151-10-316-00-005000						
18	0.9	0.3	0.4	22	151-10-318-00-003000	151-10-318-00-004000	151-10-318-00-005000						
20	1.0	0.3	0.4	20	151-10-320-00-003000	151-10-320-00-004000	151-10-320-00-005000						
22	1.1	0.3	0.4	18	151-10-322-00-003000	151-10-322-00-004000	151-10-322-00-005000						
24	1.2	0.3	0.4	16	151-10-324-00-003000	151-10-324-00-004000	151-10-324-00-005000						
28	1.4	0.3	0.4	14	151-10-328-00-003000	151-10-328-00-004000	151-10-328-00-005000						
20	1.0	0.4	0.5	20	151-10-420-00-003000	151-10-420-00-004000	151-10-420-00-005000						
22	1.1	0.4	0.5	18	151-10-422-00-003000	151-10-422-00-004000	151-10-422-00-005000						
24	1.2	0.4	0.5	16	151-10-424-00-003000	151-10-424-00-004000	151-10-424-00-005000						
28	1.4	0.4	0.5	14	151-10-428-00-003000	151-10-428-00-004000	151-10-428-00-005000						
32	1.6	0.4	0.5	12	151-10-432-00-003000	151-10-432-00-004000	151-10-432-00-005000						
24	1.2	0.6	0.7	16	151-10-624-00-003000	151-10-624-00-004000	151-10-624-00-005000						
28	1.4	0.6	0.7	14	151-10-628-00-003000	151-10-628-00-004000	151-10-628-00-005000						
32	1.6	0.6	0.7	12	151-10-632-00-003000	151-10-632-00-004000	151-10-632-00-005000						
36	1.8	0.6	0.7	11	151-10-636-00-003000	151-10-636-00-004000	151-10-636-00-005000						
40	2.0	0.6	0.7	10	151-10-640-00-003000	151-10-640-00-004000	151-10-640-00-005000						
42	2.1	0.6	0.7	9	151-10-642-00-003000	151-10-642-00-004000	151-10-642-00-005000						
48	2.4	0.6	0.7	8	151-10-648-00-003000	151-10-648-00-004000	151-10-648-00-005000						
50	2.5	0.6	0.7	8	151-10-650-00-003000	151-10-650-00-004000	151-10-650-00-005000						
52	2.6	0.6	0.7	7	151-10-652-00-003000	151-10-652-00-004000	151-10-652-00-005000						
50	2.5	0.9	1.0	8	151-10-950-00-003000	151-10-950-00-004000	151-10-950-00-005000						
52	2.6	0.9	1.0	7	151-10-952-00-003000	151-10-952-00-004000	151-10-952-00-005000						
64	3.2	0.9	1.0	6	151-10-964-00-003000	151-10-964-00-004000	151-10-964-00-005000						

For RoHS compliance select ◇ plating code.

PLATING CODE =

10 ◇

Pin Plating

10μ" Au