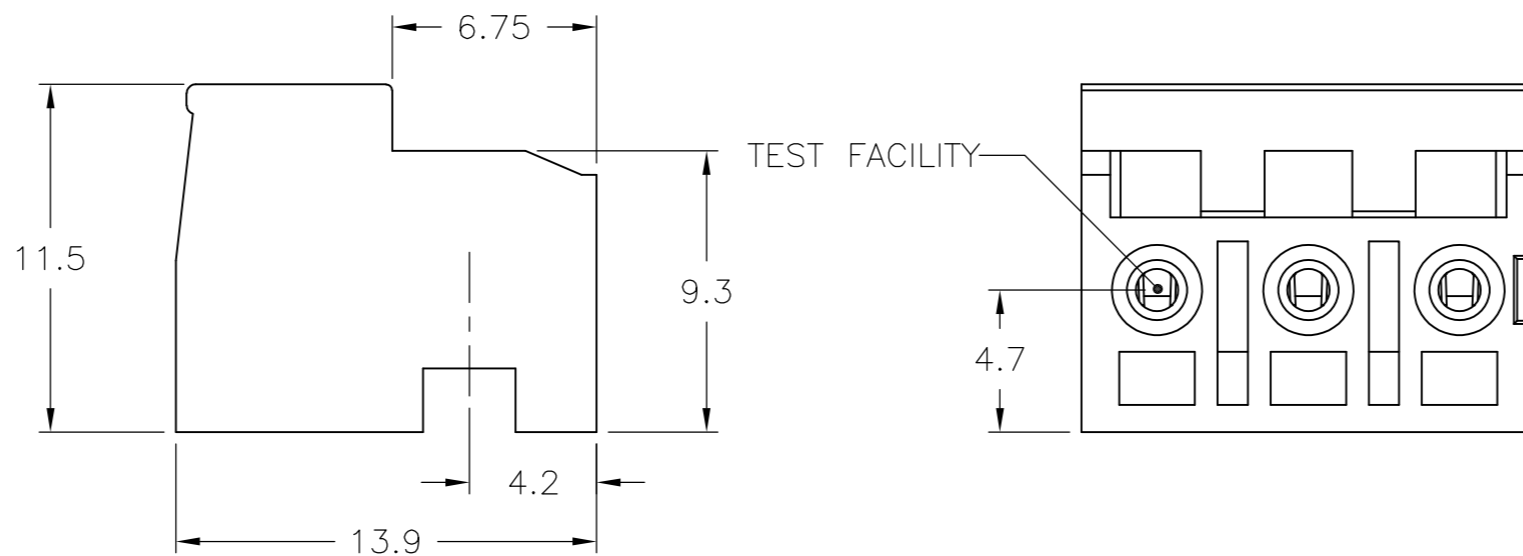
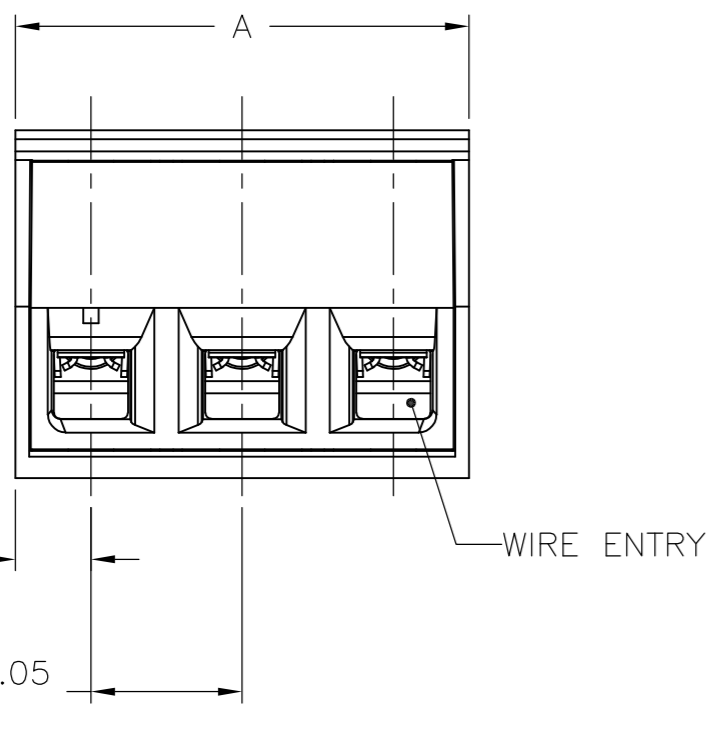
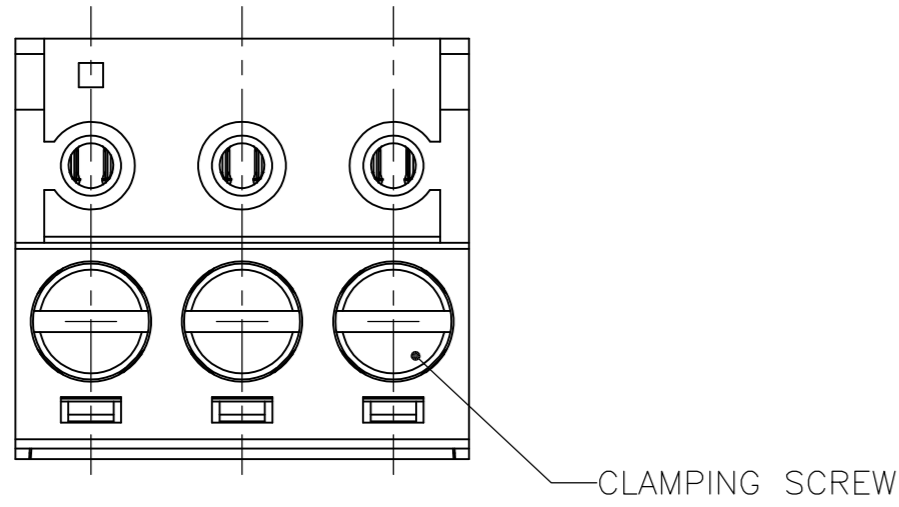


THIS DRAWING IS UNPUBLISHED. RELEASED FOR PUBLICATION
 © COPYRIGHT BY TYCO ELECTRONICS CORPORATION. ALL INTERNATIONAL RIGHTS RESERVED.

LOC		DIST		REVISIONS			
P	LTR	DESCRIPTION		DATE	DWN	APVD	
	H1	REVISED PER ECO-09-017426		8/27/09	SS	CR	

1. MATERIALS AND FINISH
 HOUSING: PA 6-6, UL 94-V0, COLOR: BLACK.
 CLAMP: BRASS, NICKEL PLATED.
 CONTACT: PHOSPHOR BRONZE, TIN PLATED.
 CLAMPING SCREW: M3, BRASS, NICKEL PLATED.
2. WIRE SIZE RANGE: 12-30 AWG
3. RECOGNIZED UNDER THE COMPONENT PROGRAM OF UNDERWRITERS LABORATORIES INC. FILE NO. E60677.
4. IMQ CERTIFICATE WITH SURVEILLANCE IN CONFORMITY WITH IEC 998-1/998-2-1.
5. NOT CUMULATIVE TOLERANCE.
6. END TO END STACKABLE W/O LOSS OF CENTERLINE SPACING.



125	25	2-1546018-5
120	24	2-1546018-4
115	23	2-1546018-3
110	22	2-1546018-2
105	21	2-1546018-1
100	20	2-1546018-0
95	19	1-1546018-9
90	18	1-1546018-8
85	17	1-1546018-7
80	16	1-1546018-6
75	15	1-1546018-5
70	14	1-1546018-4
65	13	1-1546018-3
60	12	1-1546018-2
55	11	1-1546018-1
50	10	1-1546018-0
45	9	1546018-9
40	8	1546018-8
35	7	1546018-7
30	6	1546018-6
25	5	1546018-5
20	4	1546018-4
15	3	1546018-3
10	2	1546018-2
A	NO OF POSN	PART NUMBER

THIS DRAWING IS A CONTROLLED DOCUMENT.		DWN S SCHLEGEL 27AUG2009	Tyco Electronics Corporation Harrisburg, PA 17105-3608	
DIMENSIONS: mm		CHK C RICHARD 8/27/09	NAME TERMINAL BLOCK PLUG 90/180 DEGREE 5.0mm PITCH	
TOLERANCES UNLESS OTHERWISE SPECIFIED: 0 PLC ± - 1 PLC ± 0.3 2 PLC ± 0.25 3 PLC ± - 4 PLC ± - ANGLES ± 1°		APVD C RICHARD 8/27/09	DRAWING NO A2 00779 C=1546018	
MATERIAL - △		FINISH - △	SCALE 4:1	RESTRICTED TO -
CUSTOMER DRAWING		WEIGHT -	SHEET 1 OF 1	REV H1