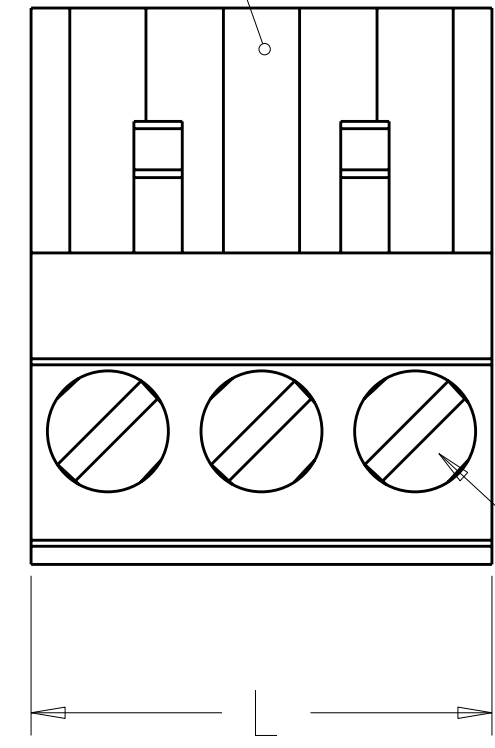


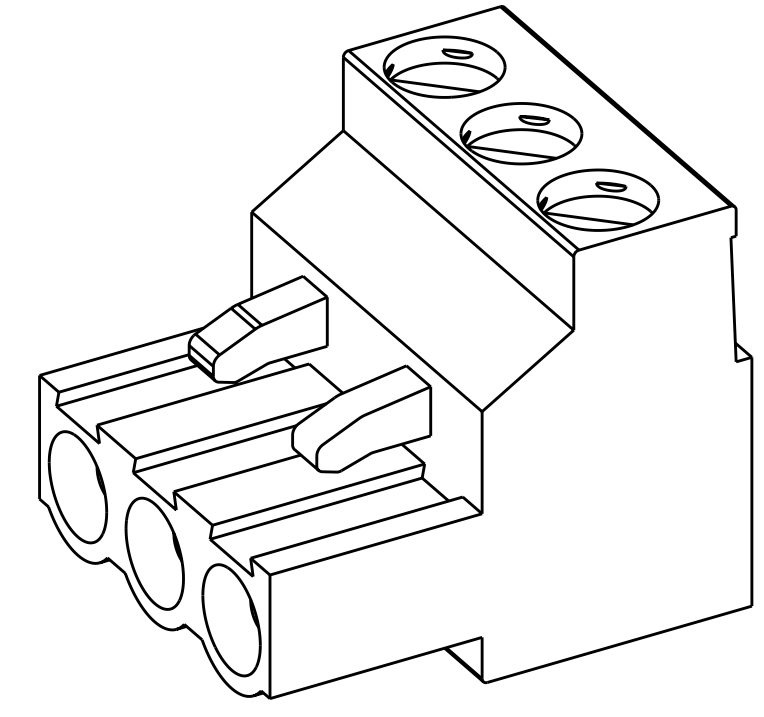
THIS DRAWING IS UNPUBLISHED. RELEASED FOR PUBLICATION 20
 © COPYRIGHT 20 BY TYCO ELECTRONICS CORPORATION. ALL RIGHTS RESERVED.

LOC		DIST		REVISIONS			
P	LTR	DESCRIPTION	DATE	DWN	APVD		
FT	0	D2	REVISED PER ECO-09-003492	12FEB2009	HMR	CR	

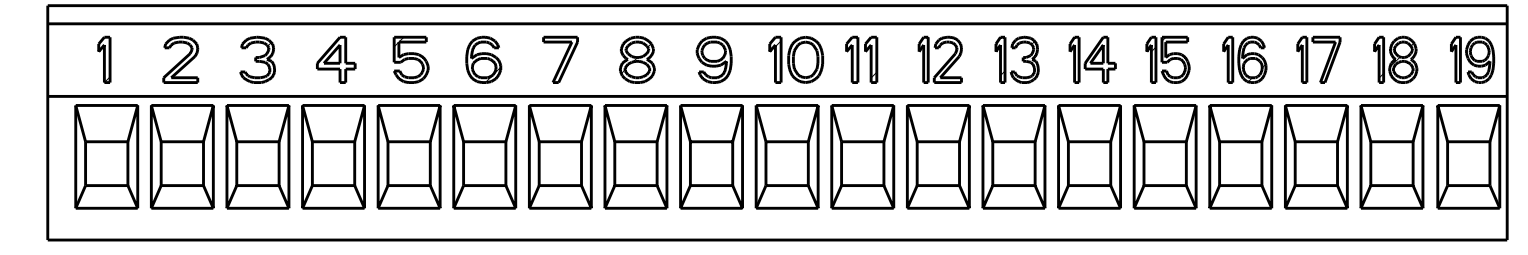
POLARIZATION KEY SLOT



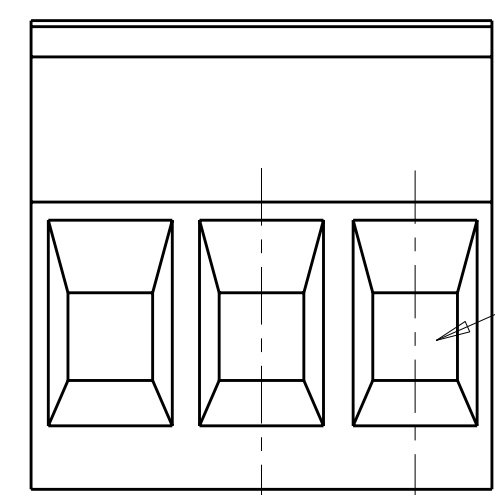
CLAMPING SCREW



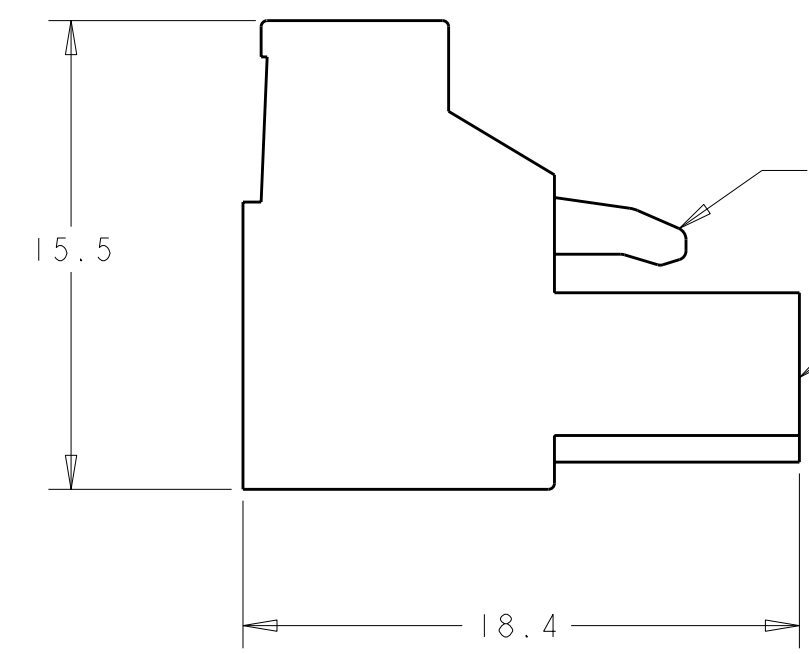
1546108-3 AS SHOWN



DETAIL H
SCALE 2:1



WIRE ENTRY



RETENTION LATCH

MATING FACE

5.08±0.05 TYP
2.54 REF 2 PLC

- 1 MATERIALS AND FINISH:
HOUSING: PA 6-6, UL 94-V0, COLOR: GRAY.
CLAMP: BRASS, NICKEL PLATED.
CONTACT SPRING: PHOSPHOR BRONZE, FINISH: SEE TABLE.
CLAMPING SCREW: M3, BRASS, NICKEL PLATED.
- 2. END-TO-END STACKABLE WITHOUT LOSS OF CENTERLINE SPACING.
- 3. WIRE SIZE RANGE: 12-30 AWG.
- 4. RECOGNIZED UNDER THE COMPONENT PROGRAM OF UNDERWRITERS LABORATORIES INC. FILE N° E60677.
- 5. IMO CERTIFICATE WITH SURVEILLANCE IN CONFORMITY WITH IEC 998-1/998-2-1.
- 6 NOT CUMULATIVE TOLERANCE
- 7. BUCHANAN LOGO TO APPEAR ON HOUSING, LOCATION OPTIONAL WHERE SPACE PERMITS.
- 8. INK MARKING: BLACK COLOR. NUMERICAL SEQUENCE FROM LEFT TO RIGHT.
- 9 WITHOUT RETENTION LATCHES.



MARKING	CONTACT FINISH	L	NO OF POSN	PART NUMBER
9	TIN	15.24	3	4-1546108-6
DETAIL K	TIN	40.64	8	4-1546108-5
DETAIL J	TIN	40.64	8	4-1546108-4
DETAIL H	TIN	96.52	19	4-1546108-3
PRELIMINARY	.000030 GOLD	60.96	12	4-1546108-2
PRELIMINARY	.000030 GOLD	30.48	6	3-1546108-6
PRELIMINARY	.000030 GOLD	20.32	4	3-1546108-4
PRELIMINARY	.000030 GOLD	15.24	3	3-1546108-3
	TIN	127.00	25	2-1546108-5
	TIN	121.92	24	2-1546108-4
	TIN	116.84	23	2-1546108-3
	TIN	111.76	22	2-1546108-2
	TIN	106.68	21	2-1546108-1
	TIN	101.60	20	2-1546108-0
	TIN	96.52	19	1-1546108-9
	TIN	91.44	18	1-1546108-8
	TIN	86.36	17	1-1546108-7
	TIN	81.28	16	1-1546108-6
	TIN	76.20	15	1-1546108-5
	TIN	71.12	14	1-1546108-4
	TIN	66.04	13	1-1546108-3
	TIN	60.96	12	1-1546108-2
	TIN	55.88	11	1-1546108-1
	TIN	50.80	10	1-1546108-0
	TIN	45.72	9	1546108-9
	TIN	40.64	8	1546108-8
	TIN	35.56	7	1546108-7
	TIN	30.48	6	1546108-6
	TIN	25.40	5	1546108-5
	TIN	20.32	4	1546108-4
	TIN	15.24	3	1546108-3
	TIN	10.16	2	1546108-2

THIS DRAWING IS A CONTROLLED DOCUMENT FOR TYCO ELECTRONICS CORPORATION. IT IS SUBJECT TO CHANGE AND THE CONTROLLING ENGINEERING ORGANIZATION SHOULD BE CONTACTED FOR THE LATEST REVISION.		DWN S. WELDON 11SEP2002 CHK C. RICHARD 11SEP2002 APVD C. RICHARD 11SEP2002		Tyco Electronics Harrisburg, PA 17105-3608	
DIMENSIONS: mm 		TOLERANCES UNLESS OTHERWISE SPECIFIED: 0 PLC ±- 1 PLC ±0.3 2 PLC ±0.25 3 PLC ±- 4 PLC ±- ANGLES ±2 FINISH		NAME TERMINAL BLOCK, PLUG, STACKING, 5.08mm PITCH SIZE A2 CAGE CODE 00779 DRAWING NO 1546108 RESTRICTED TO - SCALE 2:1 SHEET 1 OF 2 REV D2	
MATERIAL 		APPLICATION SPEC WEIGHT - CUSTOMER DRAWING		PRODUCT SPEC APPLICATION SPEC WEIGHT - CUSTOMER DRAWING	

4

3

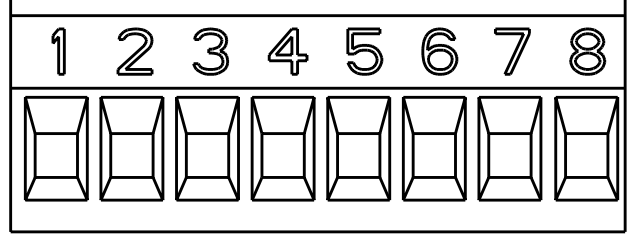
2

1

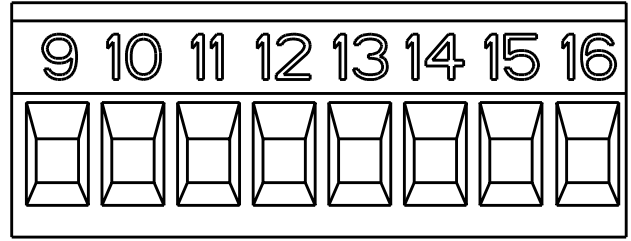
THIS DRAWING IS UNPUBLISHED. RELEASED FOR PUBLICATION 20

© COPYRIGHT 20 BY TYCO ELECTRONICS CORPORATION. ALL RIGHTS RESERVED.

LOC	DIST	REVISIONS			
P	LTR	DESCRIPTION	DATE	DWN	APVD
FT	0	-	SEE SHEET 1	-	-



DETAIL J
SCALE 2:1



DETAIL K
SCALE 2:1

<small>THIS DRAWING IS A CONTROLLED DOCUMENT FOR TYCO ELECTRONICS CORPORATION IT IS SUBJECT TO CHANGE AND THE CONTROLLING ENGINEERING ORGANIZATION SHOULD BE CONTACTED FOR THE LATEST REVISION.</small>		DWN S. WELDON 11SEP2002 CHK C. RICHARD 11SEP2002 APVD C. RICHARD 11SEP2002	Tyco Electronics Harrisburg, PA 17105-3608
DIMENSIONS: mm	TOLERANCES UNLESS OTHERWISE SPECIFIED: 0 PLC ±- 1 PLC ±0.3 2 PLC ±0.25 3 PLC ±- 4 PLC ±- ANGLES ±2 FINISH	PRODUCT SPEC APPLICATION SPEC WEIGHT	NAME TERMINAL BLOCK, PLUG, STACKING, 5.08mm PITCH
			SIZE A2 CAGE CODE 00779 DRAWING NO. 1546108 RESTRICTED TO - SCALE 2:1 SHEET 2 OF 2 REV 02
MATERIAL		CUSTOMER DRAWING	