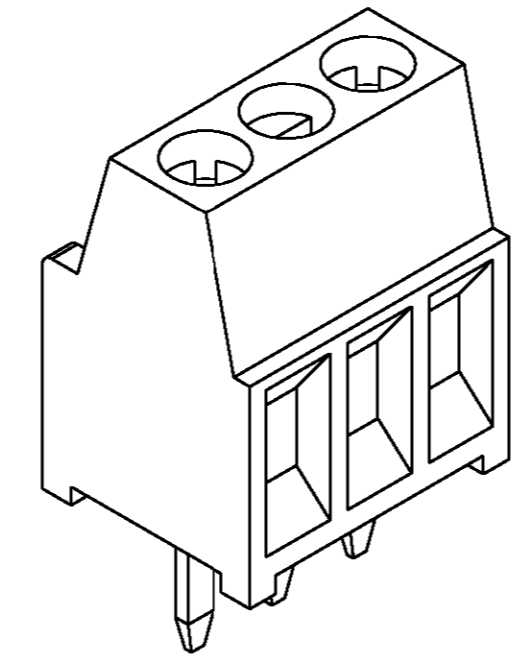
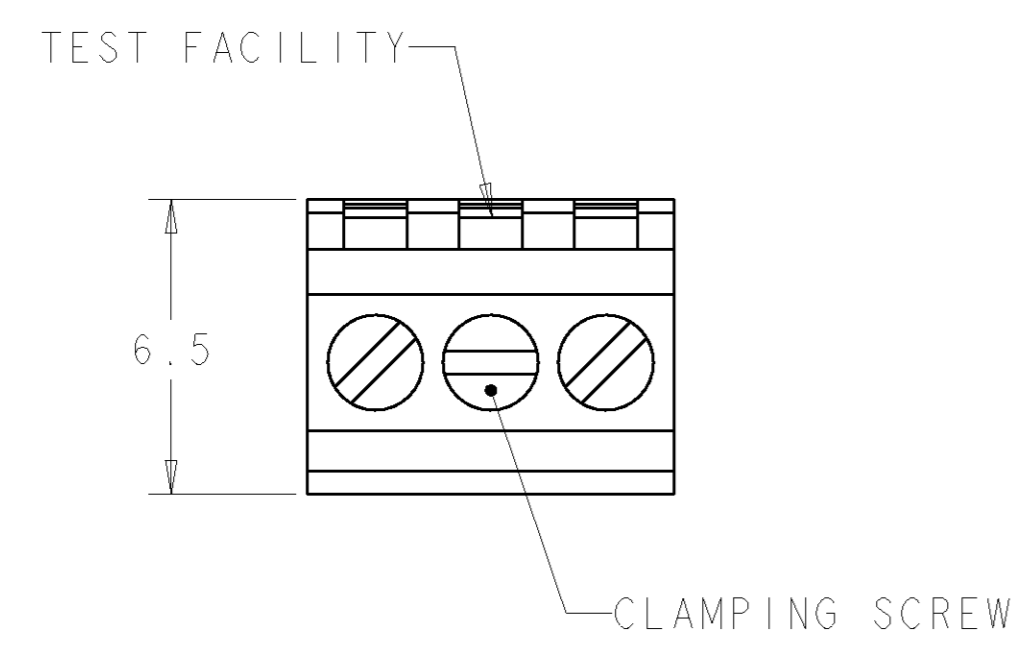


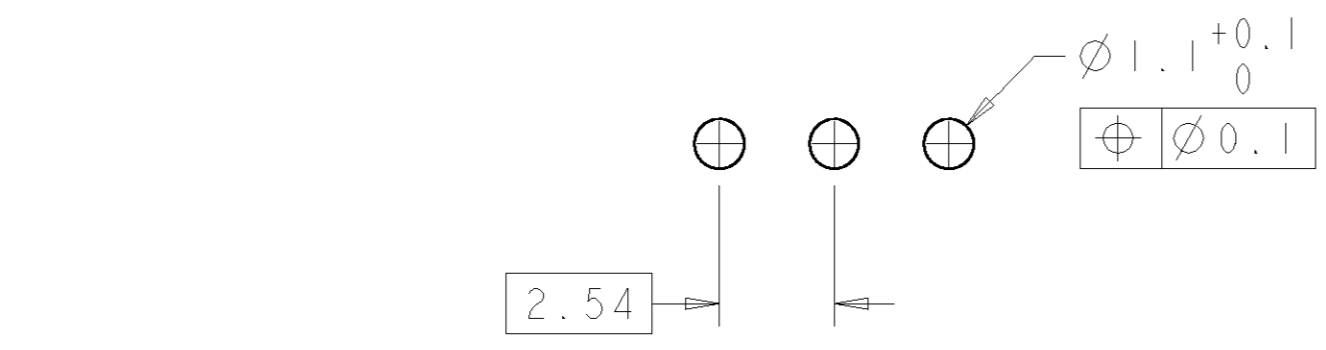
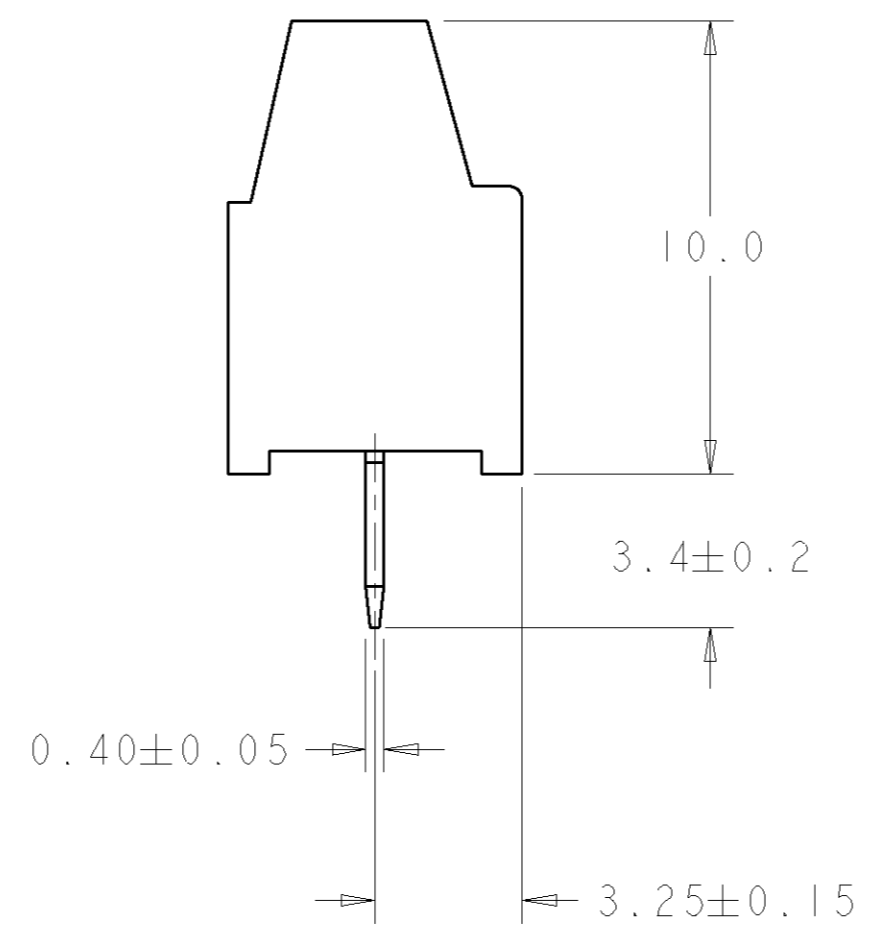
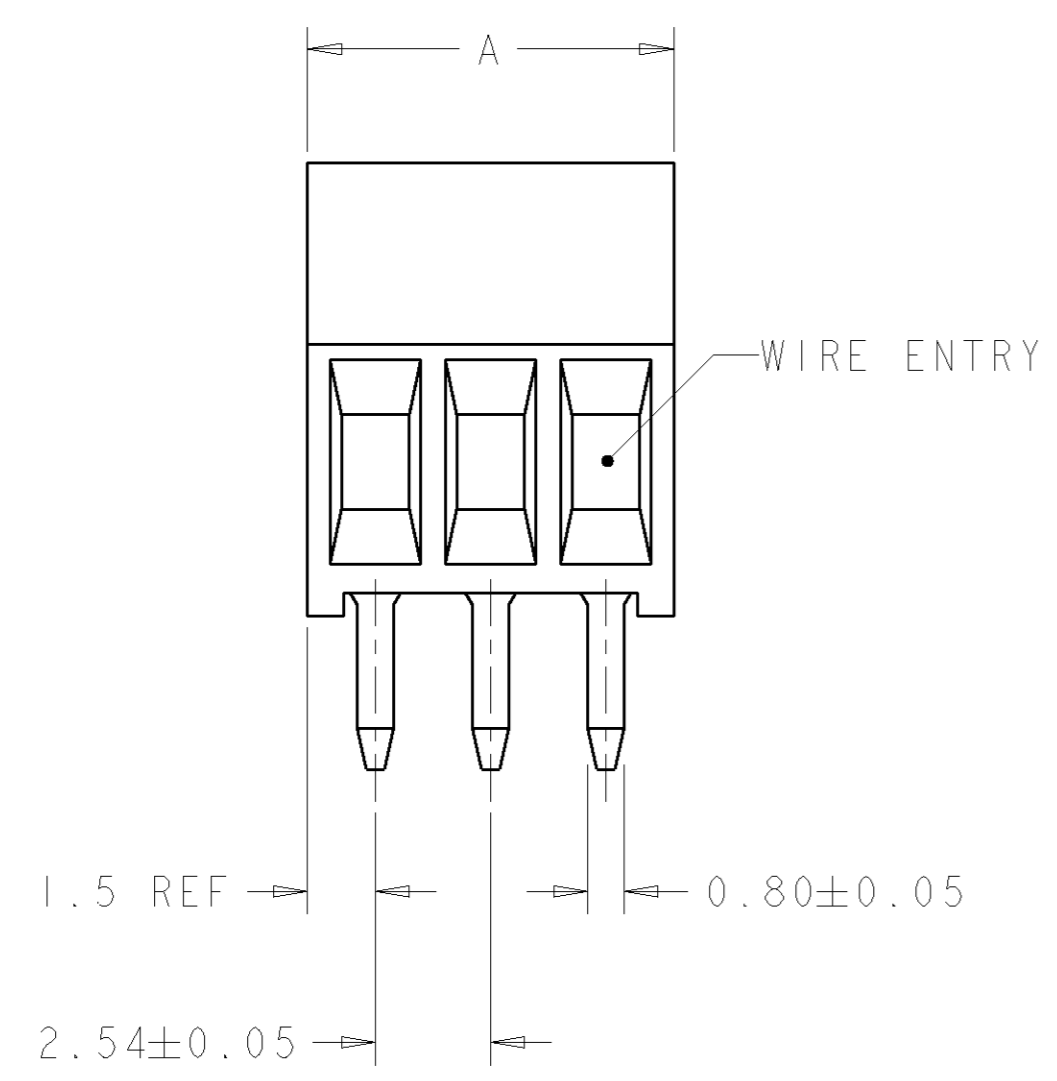
THIS DRAWING IS UNPUBLISHED. RELEASED FOR PUBLICATION 20
 © COPYRIGHT 20 BY TYCO ELECTRONICS CORPORATION. ALL RIGHTS RESERVED.

LOC	DIST	REVISIONS			
P	LTR	DESCRIPTION	DATE	DWN	APVD
FT	0	A	RELEASED	-	-



1546215-3 AS SHOWN

- ⚠ MATERIAL AND FINISH:
 HOUSING: PA 6-6, UL 94-V0, COLOR: GRAY.
 CLAMP: BRASS, NICKEL PLATED.
 TERMINAL: BRASS, TIN PLATED.
 CLAMPING SCREW: M1.6, BRASS, NICKEL PLATED.
- SUITABLE FOR 1.6-2.4mm PCB BOARD THICKNESS.
 - WIRE RANGE: 16-30 AWG.
 - RECOGNIZED UNDER THE COMPONENT PROGRAM OF UNDERWRITERS LABORATORIES INC. FILE N° E60677.
 - POSSIBILITY TO PUT TWO OR THREE TERMINAL BLOCKS SIDE BY SIDE BY INCREASING THE DIAMETER OF THE PCB HOLES TO MINIMUM 1.3mm.



RECOMMENDED PC BOARD LAYOUT

30.94	12	1-1546215-2
28.40	11	1-1546215-1
25.86	10	1-1546215-0
23.32	9	1546215-9
20.78	8	1546215-8
18.24	7	1546215-7
15.70	6	1546215-6
13.16	5	1546215-5
10.62	4	1546215-4
8.08	3	1546215-3
5.54	2	1546215-2
A	NO OF POSN	PART NUMBER

THIS DRAWING IS A CONTROLLED DOCUMENT FOR TYCO ELECTRONICS CORPORATION. IT IS SUBJECT TO CHANGE AND THE CONTROLLING ENGINEERING ORGANIZATION SHOULD BE CONTACTED FOR THE LATEST REVISION.		DWN S. WELDON 09MAR2004	Tyco Electronics Harrisburg, PA 17105-3608	
DIMENSIONS: mm		CHK C. RICHARD 09MAR2004	NAME TERMINAL BLOCK ASSEMBLY, PCB MOUNT, SIDE WIRE ENTRY, STACKING, 2.54mm PITCH	
TOLERANCES UNLESS OTHERWISE SPECIFIED: 0 PLC ±.3 1 PLC ±.3 2 PLC ±.25 3 PLC ±. 4 PLC ±. ANGLES ±2		APVD C. RICHARD 09MAR2004		
MATERIAL		PRODUCT SPEC 108-20166	SIZE A2	CAGE CODE 00779
FINISH		APPLICATION SPEC 114-20079	DRAWING NO 1546215	RESTRICTED TO -
CUSTOMER DRAWING		WEIGHT -	SCALE 5:1	SHEET 1 OF 1