

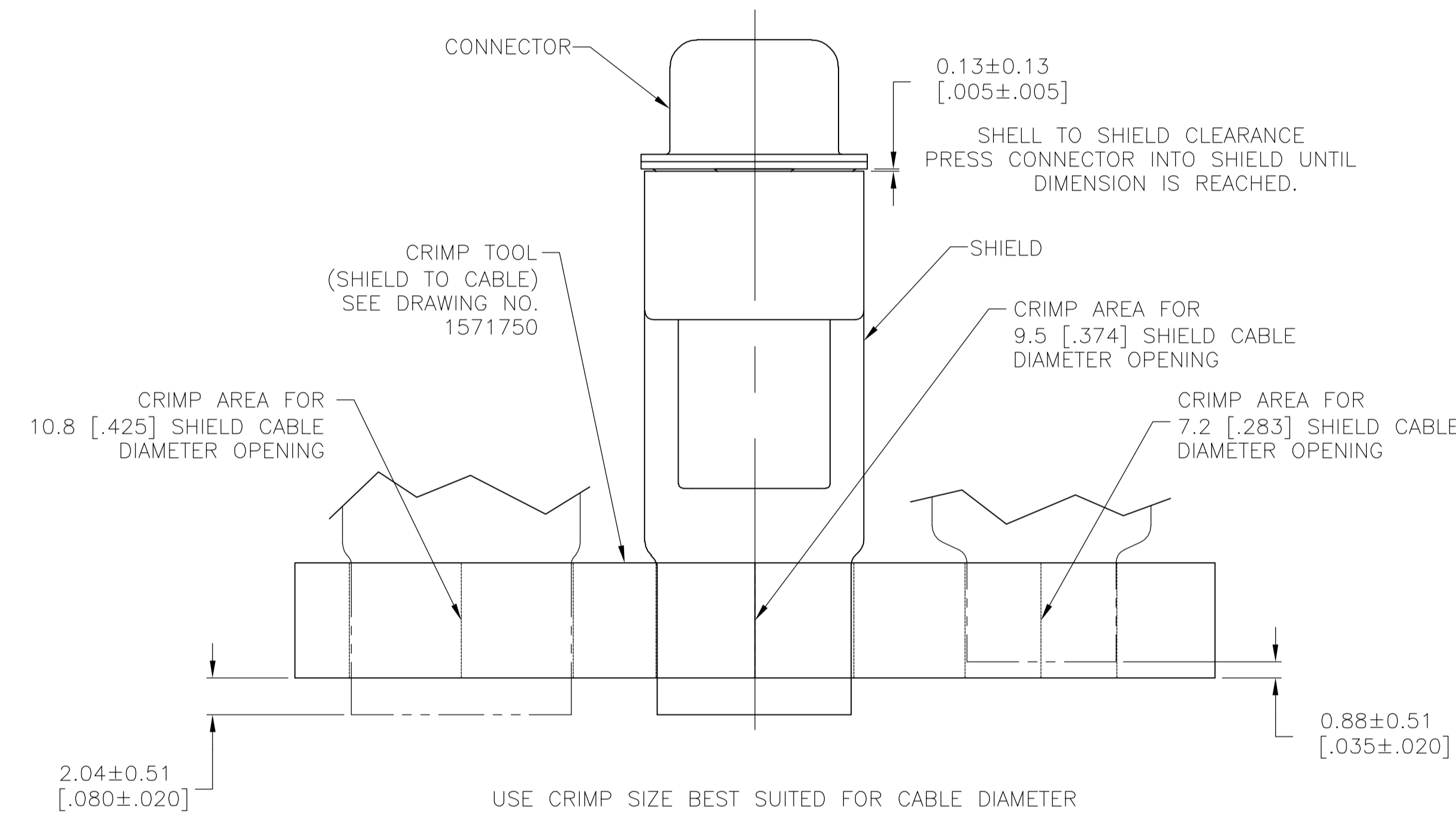
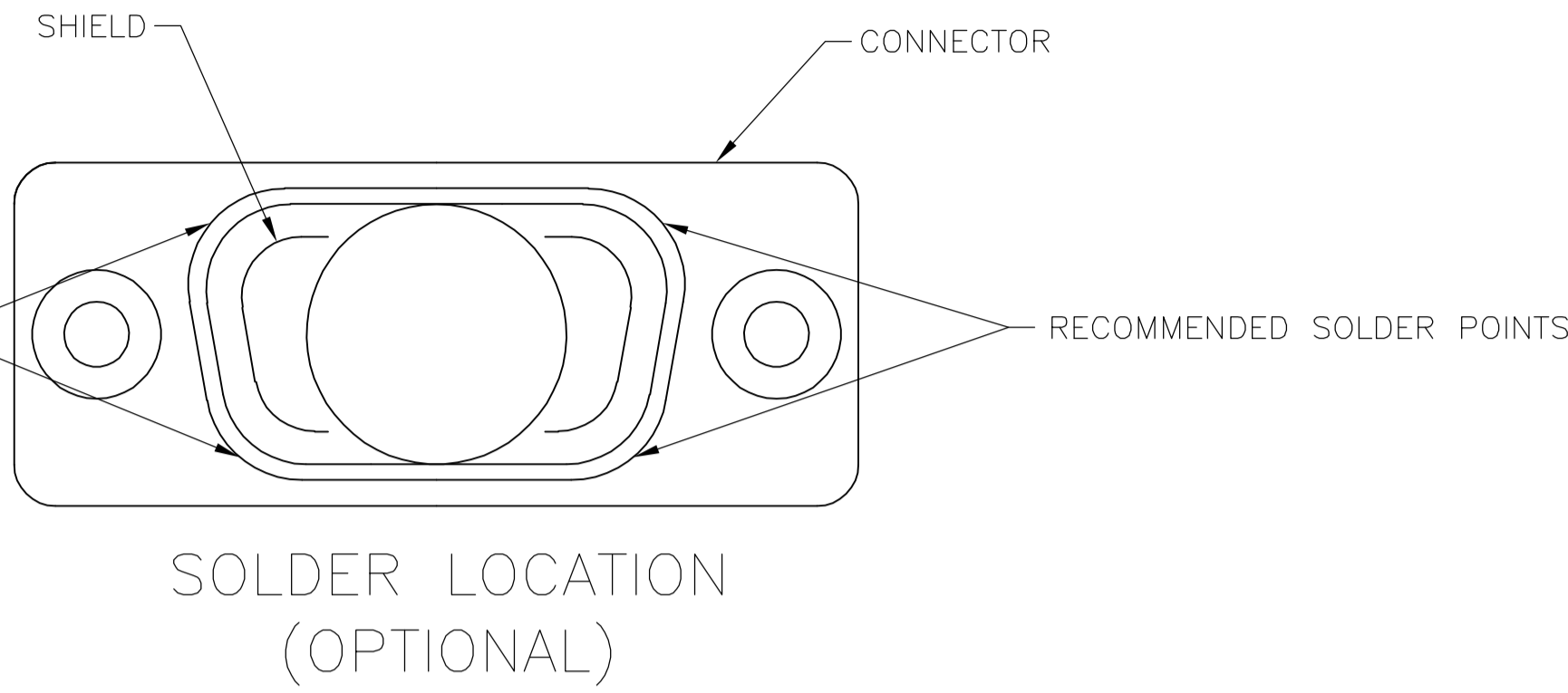
NON ROHS COMPLAINT VERSION

- NOTES:
- MATERIAL**
 INSERT: PBT, BLACK, UL94V-0 RATED
 CONTACT & JACKSCREWS: BRASS
 SHELLS & SHIELD: STEEL
 ENCLOSURE: PVC, BLACK
 - FINISH**
 CONTACT: GOLD PLATING 0.02µm[.0000008] MIN ON CONTACT AREA/2.3µm[.000090] MIN TIN-LEAD PLATING ON SOLDER AREA. ALL OVER 1.27µm[.000050] MIN NICKEL.
 SHELL: 2.4µm[.000095] MIN TIN
 SHIELD: 2.0-3.0µm[.000080-.000120] TIN
 - SPECIFICATION**
 ELECTRICAL CHARACTERISTICS:
 CURRENT RATING: 3 AMPERES
 DIELECTRIC WITHSTANDING VOLTAGE: AC 1000V R.M.S.
 INSULATION RESISTANCE: 5000 MEGOHMS MINIMUM AT DC 500V
 CONTACT RESISTANCE: 10 MILLIOHMS MAXIMUM.
 - PLUG CONNECTOR FULLY LOADED WITH CONTACTS.**
 ALL OTHER PARTS ARE SHIPPED UNASSEMBLED, EACH PART INDIVIDUALLY BULK PACKED.
 - SOLDER CUP WILL ACCOMMODATE 20 MAX AWG WIRE.**
 - FINISH**
 CONTACT: GOLD PLATING 0.02µm[.0000008] MIN ON CONTACT AREA/2.3µm[.000090] MIN TIN PLATING ON SOLDER AREA. ALL OVER 1.27µm[.000050] MIN NICKEL.
 SHELL: 2.4µm[.000095] MIN TIN
 SHIELD: 2.0-3.0µm[.000080-.000120] TIN
 - ROHS 2002/95/EC COMPLIANT PART (SEE SHEET 2).**

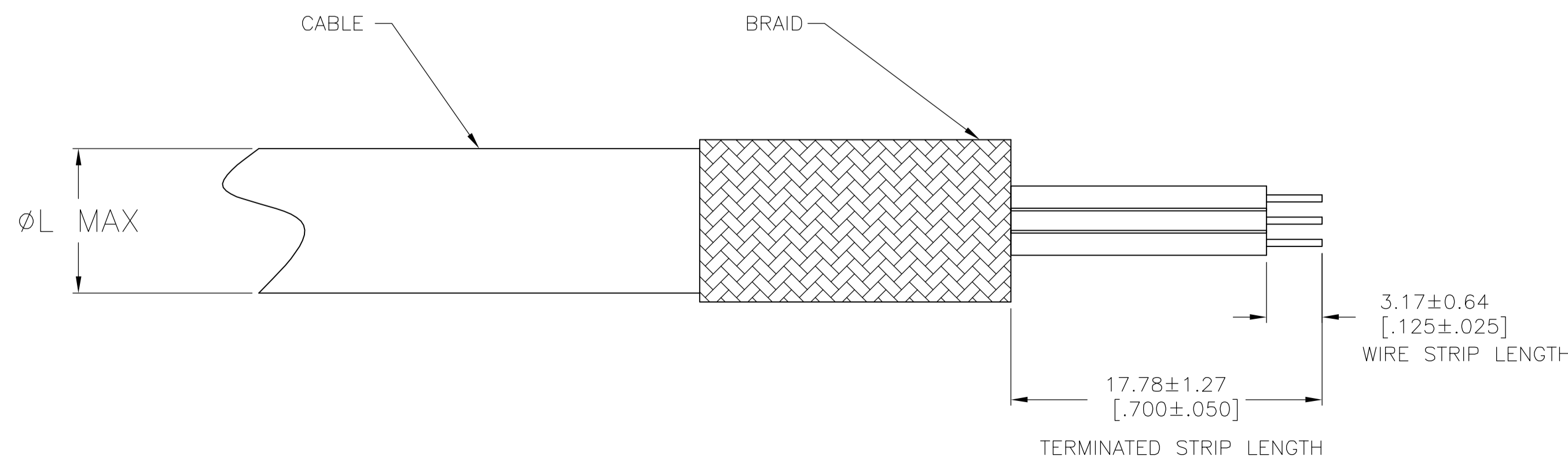
ASSEMBLY INSTRUCTIONS

- USE SHIELD ENCLOSURE EXPANSION TOOL, 58241-1 TO GET ENCLOSURE ON CABLE.
- PREPARE CABLE AS SHOWN.
- PLACE CABLE THROUGH SHIELD.
- SOLDER CONDUCTORS TO CONTACTS.
- PRESS SHIELD ONTO CONNECTOR AS SHOWN
- SOLDER SHIELD TO CONNECTOR AS SHOWN (OPTIONAL).
- METALLIC SHIELD SURFACES AND INTERIOR ENCLOSURE SURFACE MUST BE CLEAN AND DRY PER 3M REQUIREMENTS.
- CUT TWO PIECES OF 3M/SCOTCH VHB 4926, DOUBLE COATED ADHESIVE TAPE 6 TO 8mm WIDE BY 10 TO 18mm LONG.
- APPLY TAPE TO METALLIC SHIELD SURFACE. LENGTHWISE. ADJACENT TO CONNECTOR FLANGE.
- REMOVE ADHESIVE BACKING FROM TAPE AND PUSH ENCLOSURE OVER METALLIC SHIELD.
- BOND STRENGTH IS DEPENDANT ON THE AMOUNT OF SURFACE CONTACT DEVELOPED. A FIRM APPLICATION DEVELOPS A BETTER BOND. ULTIMATE SURFACE CONTACT CAN BE ACCOMPLISHED BY CLAMPING ENCLOSURE TO THE SHIELD. CARE SHOULD BE TAKEN NOT TO MAR THE POLYMER SURFACE. SHIMS MAY BE REQUIRED TO EVENLY DISTRIBUTE THE CLAMPING FORCE ACROSS THE POLYMER.
- ULTIMATE BOND STRENGTH IS DEVELOPED AFTER 72 HOURS, BUT MAY BE ACCELERATED BY EXPOSURE TO 66°C FOR 1 HOUR, IF THE CLAMPS ARE COMPATIBLE WITH THIS TEMPERATURE.
- INSERT JACKSCREWS.

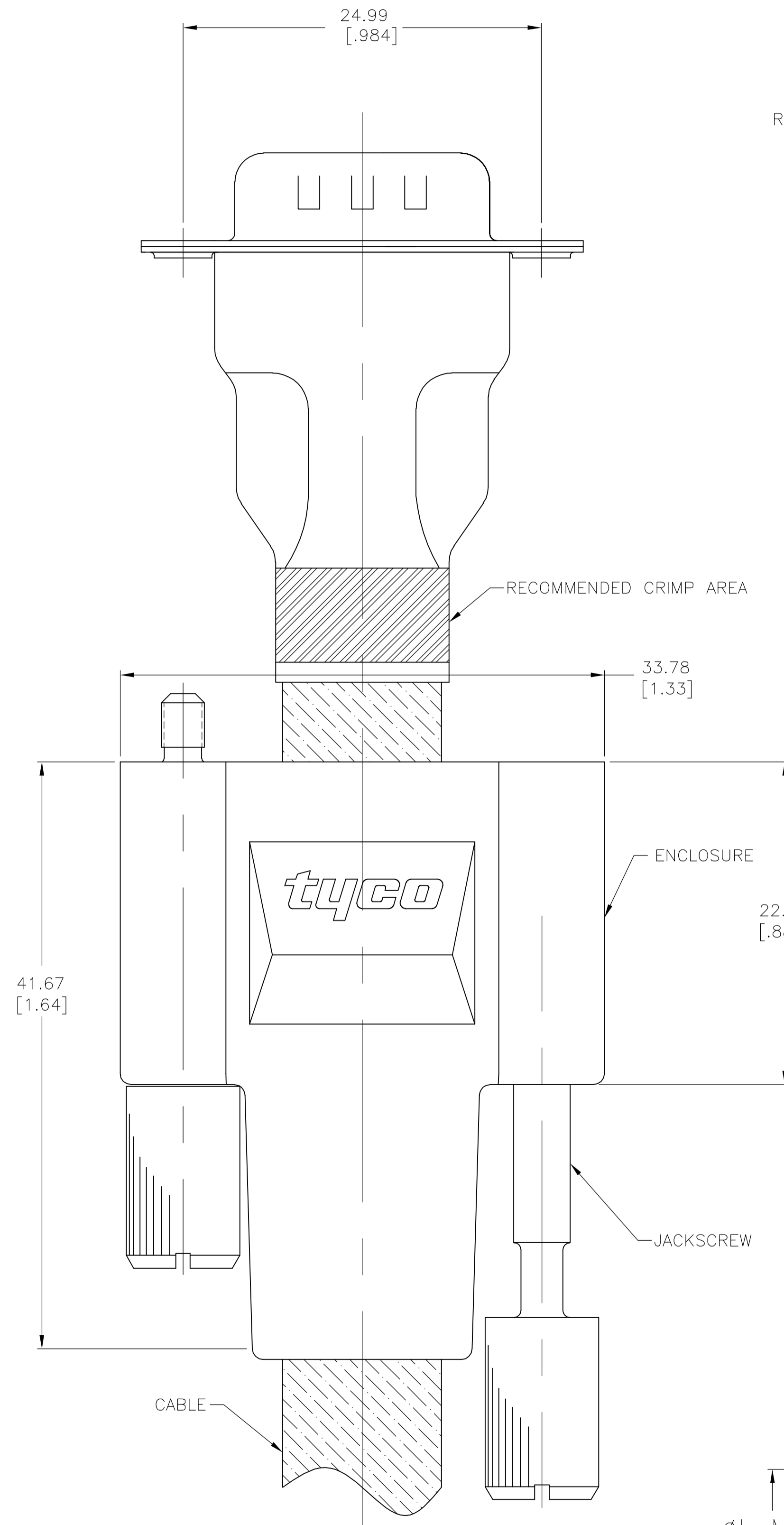
△8	△6	10.8 [.425]	1571650-6
△8	△6	9.5 [.374]	1571650-5
△8	△6	7.2 [.283]	1571650-4
SUPERSEDED BY 1571650-6	△2	10.8 [.425]	1571650-3
SUPERSEDED BY 1571650-5	△2	9.5 [.374]	1571650-2
SUPERSEDED BY 1571650-4	△2	7.2 [.283]	1571650-1
	FINISH	CABLE DIA L	PART NUMBER



SHIELD TO CABLE CRIMP



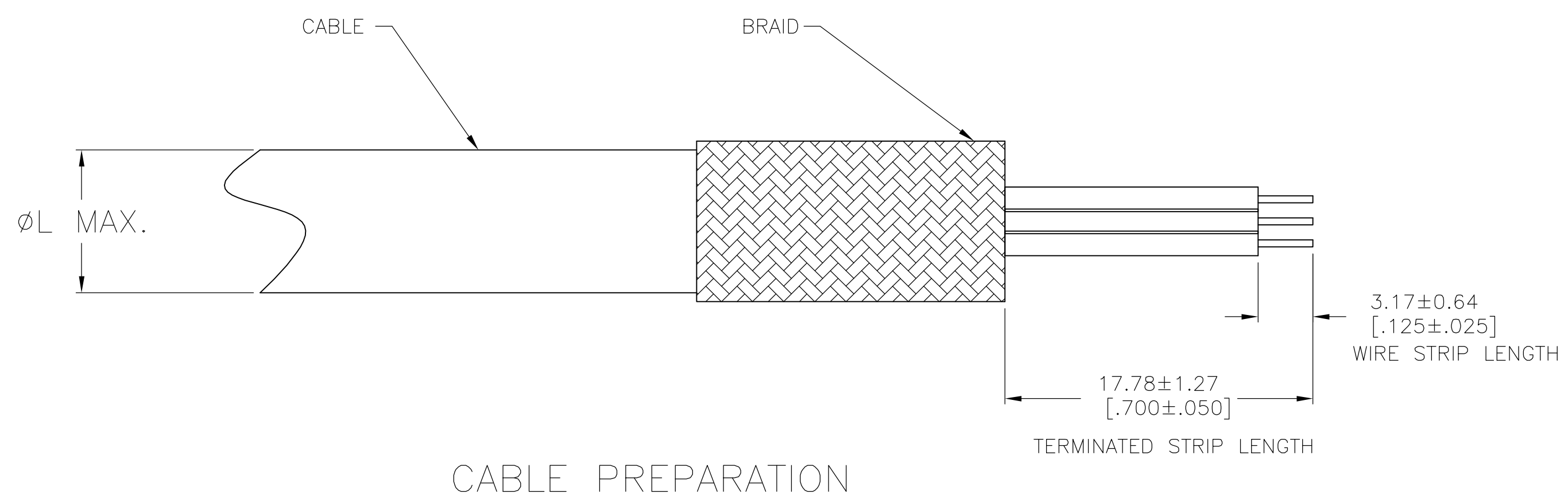
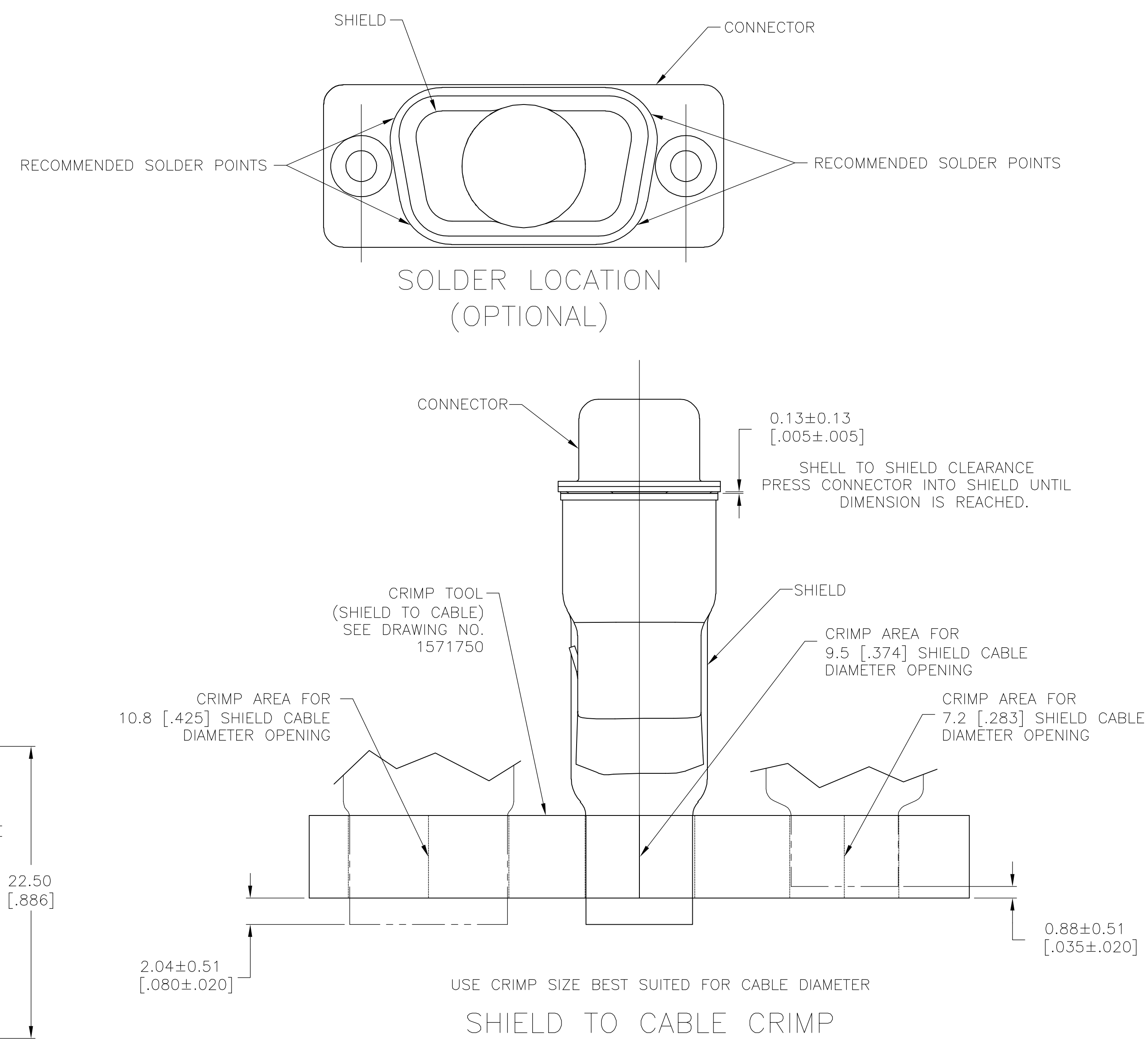
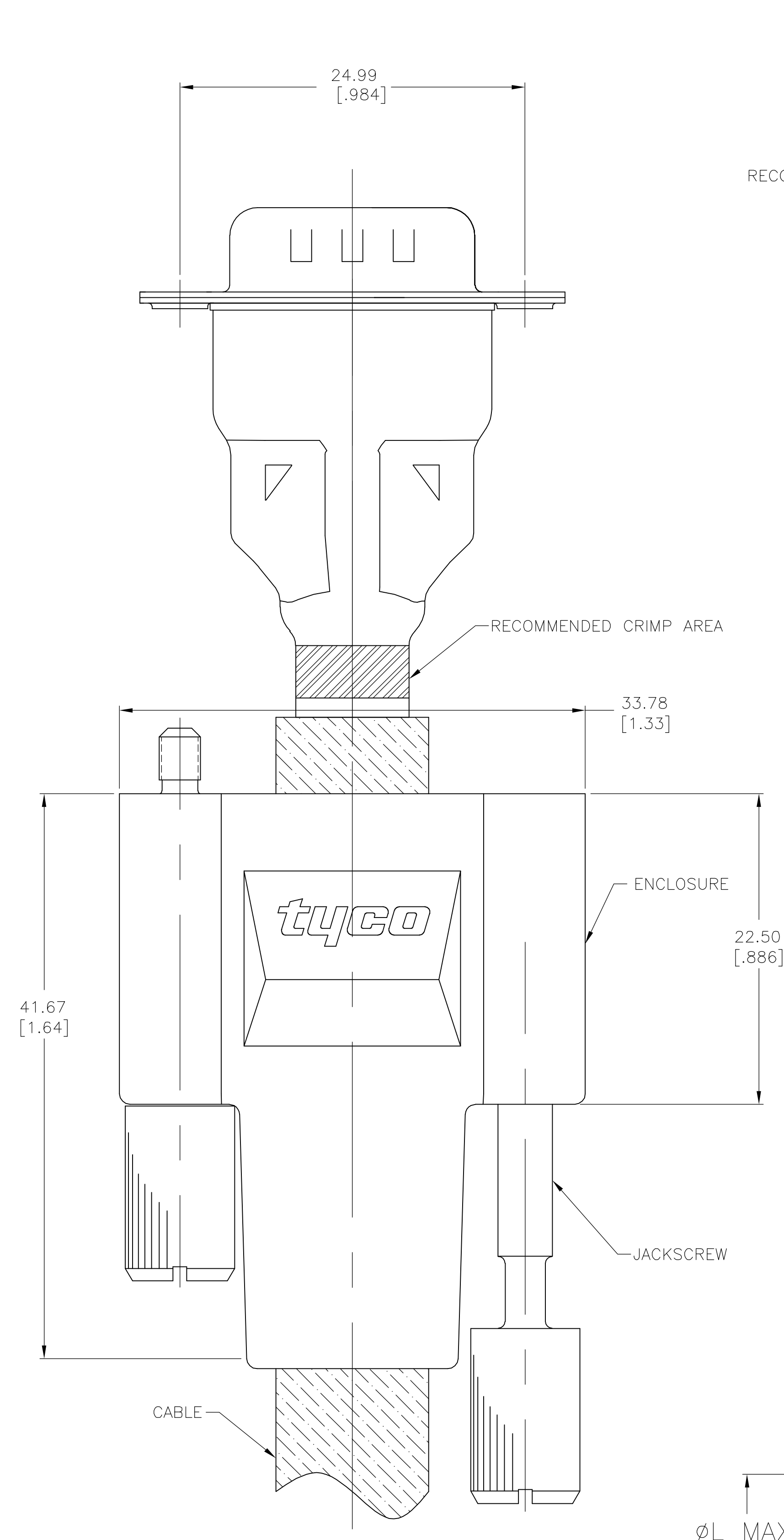
CABLE PREPARATION



EXPLODED VIEW OF ASSEMBLED KIT

THIS DRAWING IS A CONTROLLED DOCUMENT.		DIN M. BINNER	21NOV03	tyco Electronics	Tyco Electronics Corporation Harrisburg, Pa 17105-3608
DIMENSIONS: mm [INCHES]		TOLERANCES UNLESS OTHERWISE SPECIFIED:		NAME	
0 PLC	±	-		PRODUCT SPEC	
1 PLC	±	0.3[.012]		108-40031	
2 PLC	±	-		APPLICATION SPEC	
3 PLC	±	-		-	
4 PLC	±	-		-	
ANGLES	±	-		-	
MATERIAL	△1	FINISH	△2 △6	SIZE	CAGE CODE DRAWING NO
				A1	00779 ©=1571650
CUSTOMER DRAWING		SCALE	4:1	SHEET	1 OF 2
		REV	D3		

ROHS 2002/95/EC COMPLIANT VERSION



- ### ASSEMBLY INSTRUCTIONS
- USE SHIELD ENCLOSURE EXPANSION TOOL, 58241-1 TO GET ENCLOSURE ON CABLE.
 - PREPARE CABLE AS SHOWN.
 - PLACE CABLE THROUGH SHIELD.
 - SOLDER CONDUCTORS TO CONTACTS.
 - PRESS SHIELD ONTO CONNECTOR AS SHOWN.
 - SOLDER SHIELD TO CONNECTOR AS SHOWN (OPTIONAL).
 - CRIMP SHIELD TO CABLE AS SHOWN IN CRIMP DETAIL.
 - PRESS ENCLOSURE OVER SHIELD UNTIL CONNECTOR FLANGE IS FLUSH WITH ENCLOSURE EDGE.
 - INSERT JACKSCREWS.

EXPLODED VIEW OF ASSEMBLED KIT

CABLE PREPARATION

THIS DRAWING IS A CONTROLLED DOCUMENT.		DWN	M. BINNER	21NOV03	tyco Electronics	Tyco Electronics Corporation Harrisburg, Pa 17105-3608
DIMENSIONS: mm [INCHES]		CHK				NAME
TOLERANCES UNLESS OTHERWISE SPECIFIED:		APVD			PRODUCT SPEC	108-40031
0 PLC ± -		APPLICATION SPEC			SIZE	A1
1 PLC ± 0.3 [.012]		MATERIAL			CAGE CODE	00779
2 PLC ± -		FINISH			DRAWING NO	1571650
3 PLC ± -		RESTRICTED TO			SCALE	4:1
4 PLC ± -		CUSTOMER DRAWING			SHEET	2 OF 2
ANGLES ± -		REV			REV	D3
FINISH ± -						