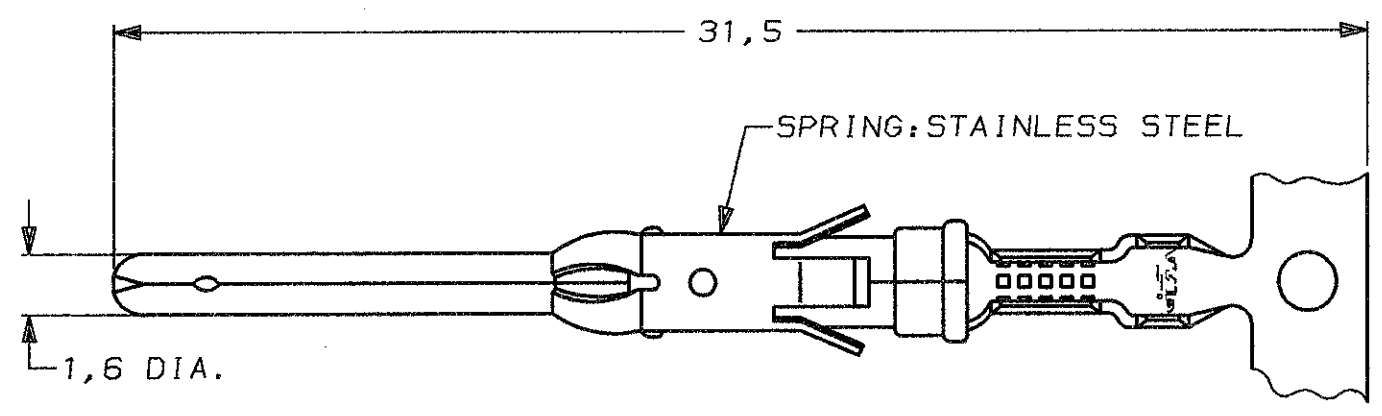


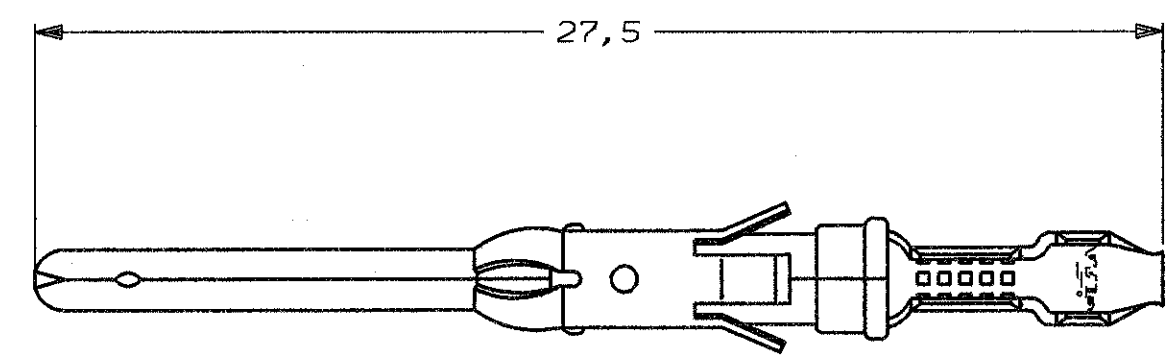
DO NOT SCALE
DIMENSIONS IN mm

METRIC

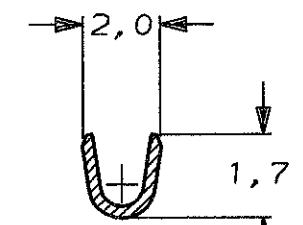
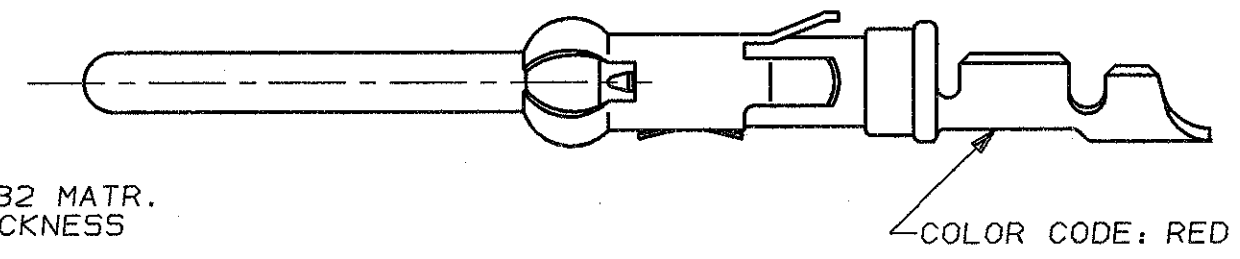
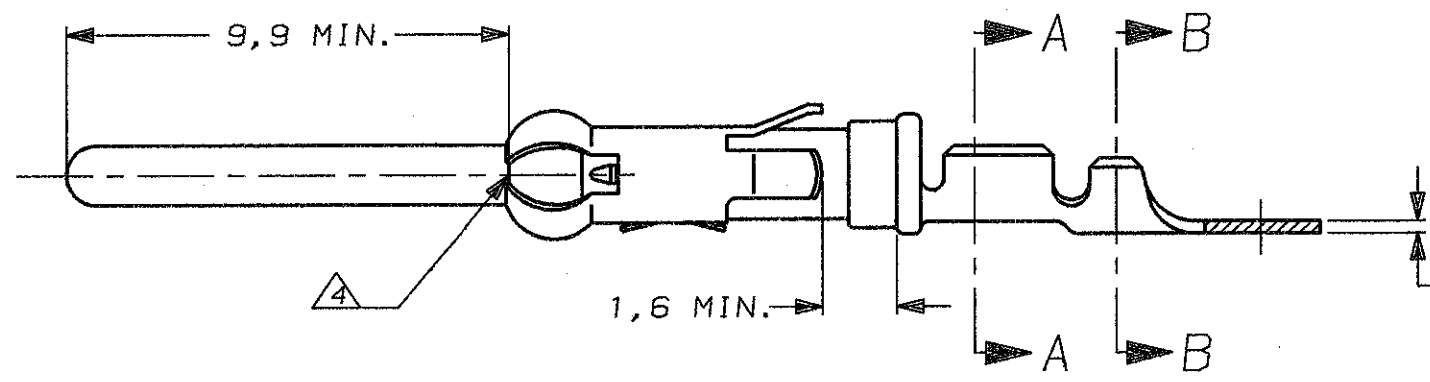
THIRD ANGLE
PROJECTION



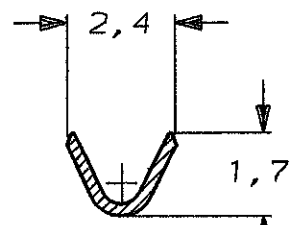
STRIP



LOOSE-PIECE



SECTION A-A



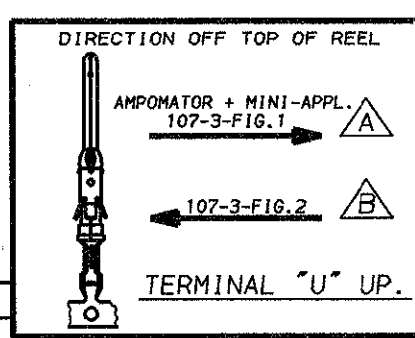
SECTION B-B

WIRE RANGE : 0,12-0,20 mm² (26-24 AWG)
INSUL. RANGE : 0,9 -1,4 mm (.035-.055)

NOTES :

- 1 U.L.RECONIZED UNDER FILE E28476 VOL.VI SEC.I
- 2 FOR CRIMPDETAILS SEE AMP-SPEC. 114-19.000
- 3 MEETS PRODUCTSPECIFICATION 108-10042.
- 4 0,40 MAX. GAP BETWEEN SPRING-NOSE AND CONTACT BODY.
- 5 OBSOLETE PARTS: OBSOLETE CIS STREAMLINING PER D.RENAUD/D.SINISI

NOTES	MATERIAL	THICKNESS	AREA
20	TIN	2,0 μm	ALL OVER
21	NICKEL GOLD TIN/LEAD	0,8 μm	ALL OVER CONTACT AREA BARREL
22	NICKEL GOLD GOLD	0,8 μm	ALL OVER CONTACT AREA ALL OVER
23	NICKEL GOLD GOLD	1,2 μm	ALL OVER CONTACT AREA ALL OVER
24	NICKEL SILVER TIN/LEAD	2,5 μm	ALL OVER CONTACT AREA BARREL
25	SILVER	0,5 μm	ALL OVER
26	SILVER	2,5 μm	ALL OVER
27	NICKEL TIN/LEAD	1,27 μm	ALL OVER
28	TIN/LEAD	1,27 μm	ALL OVER
31	LUBRICATED		



PARTNUMBER	DIRECTION OF REEL	LOOSE-PIECE	MATERIAL	PLATING
1-163089-3	A	1-163090-1	BRASS	EL.TIN 31 20
1-163089-2	A	1-163090-2	BRASS	BR. TIN/LEAD 30
1-163089-1	A		BRASS	ECON.GOLD 21
1-163089-0	B	1-163090-0	BRASS	ECON.GOLD 21
163089-9	A		BRASS	EL.TIN 20
163089-8	A		BRASS	SEL.GOLD 22
163089-2	B	163090-2	BRASS	SEL.GOLD 22
163089-1	B	163090-1	BRASS	EL.TIN 20

REVISED PER	ECO	APP.	DATE	CHK.	DATE
Y1	REVISIED PER - ECO-10-000030	KK	AEG	05JAN10	
Y	EBD0-0335-04	JMS	FWK	02/08/04	
N	EH-0302-94	JvL	MvD	03-05-94	
M	ECN H-9813	JvdH	RD	18-05-92	
LTR.	REVISION RECORD	DR.	CHK.	DATE	

CUSTOMER DRAWING FOR REFERENCE ONLY WILL NOT BE UPDATED

© COPYRIGHT 19- BY AMP HOLLAND B.V. ALL INTERNATIONAL RIGHTS RESERVED. AMP PRODUCTS MAY BE COVERED BY U.S. AND FOREIGN AND/OR PATENTS PENDING.

THIS DRAWING IS UNPUBLISHED RELEASED FOR PUBLICATION AUG, 19 87

AMP AMP HOLLAND B.V. 's-Hertogenbosch, The Netherlands.

NAME: PIN TYPE III CONTACT SIZE 16

DR. : L.V.D.HEIJDEN.	CHK. : P.V.D.HAGEN.	APP. : L.V.SOEST.	DWG.No. C-163089	REV.LTR. Y1	SHEET 1 OF 1	A3
DATE: 19-08-87	DATE: 20-08-87	DATE: 20-08-87				