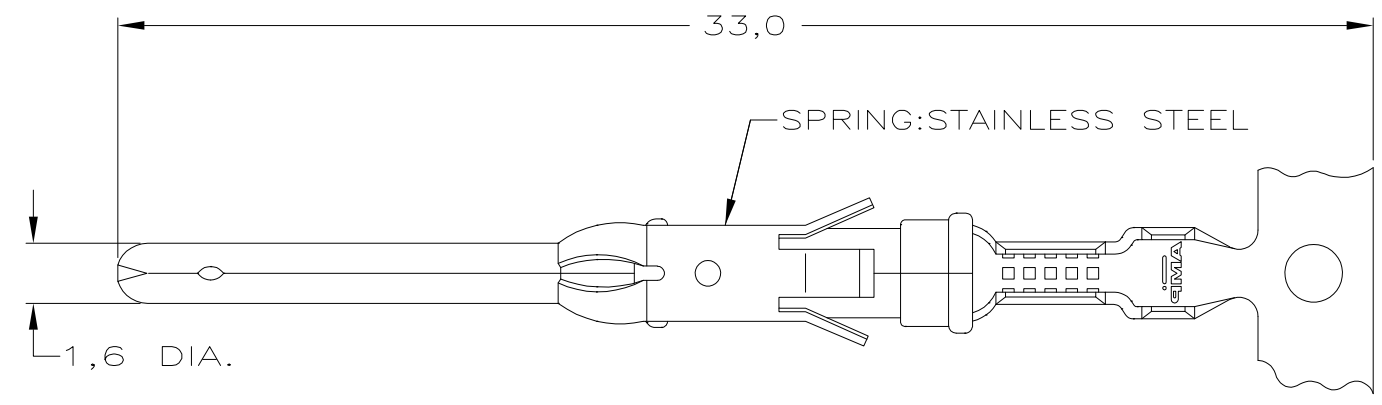
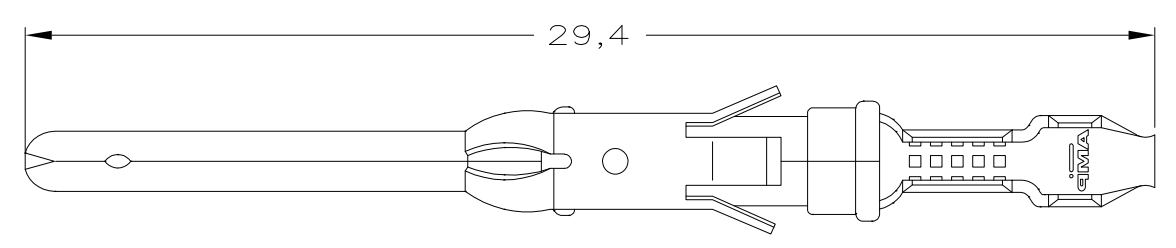


THIS DRAWING IS UNPUBLISHED. RELEASED FOR PUBLICATION JAN , 1991.
 © COPYRIGHT 1991 BY TYCO ELECTRONICS CORPORATION. ALL RIGHTS RESERVED.

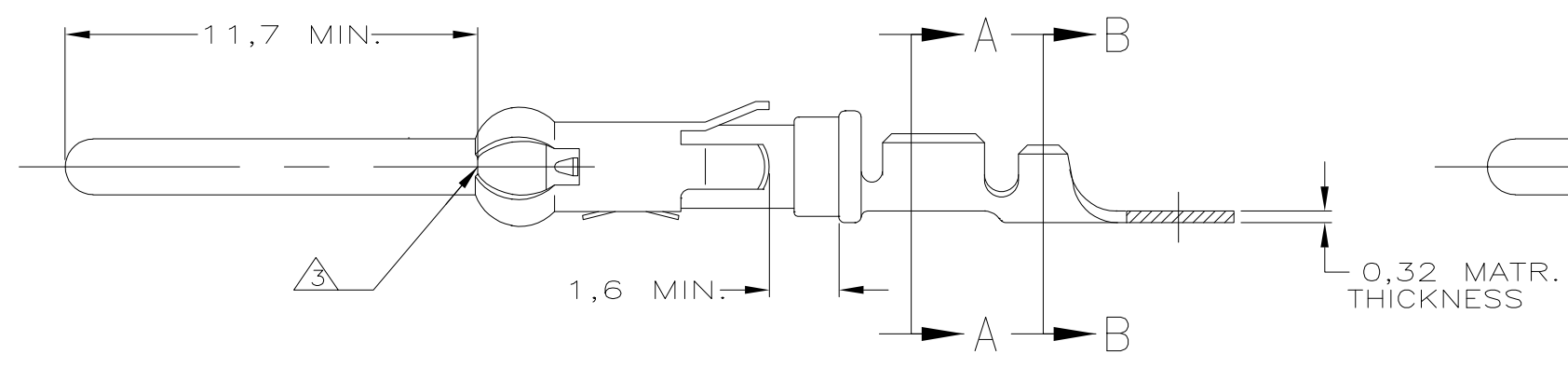
LOC	DIST	REVISIONS			
P	LTR	DESCRIPTION	DATE	DWN	APVD
E	B	G	EBD0-0462-04	08DEC04	RS MG
		G1	REVISED PER ECO-09-020689	22AUG09	KK AEG



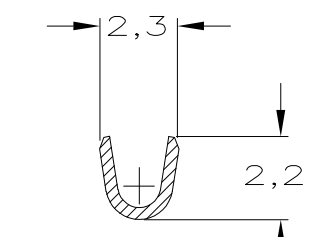
STRIP



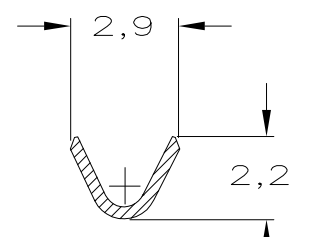
LOOSE-PIECE



COLOR CODE: YELLOW



SECTION A-A

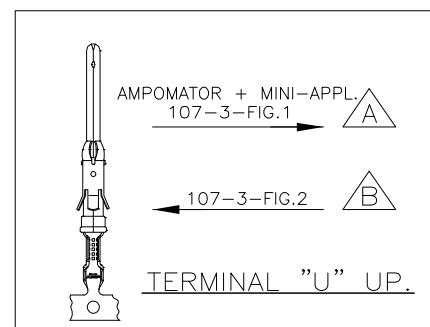


SECTION B-B

WIRE RANGE : 0,20-0,50 mm² (24-20 AWG)
 INSUL. RANGE : 1,1 - 1,8 mm (.045-.070)

NOTES :

- 1 FOR CRIMPDETAILS SEE AMP-SPEC. 114-19.000 .
- 2 MEETS PRODUCTSPECIFICATION 108-10042.
- 3 0,40 MAX. GAP BETWEEN SPRING-NOSE AND CONTACT BODY.
- 4 OBSOLETE PARTS: OBSOLETE CIS STREAMLINING PER D.RENAUD/D.SINISI



PARTNUMBER	DIRECTION OF REEL	LOOSE-PIECE	MATERIAL	PLATING
164160-8	A	164163-8	PHBR	EL.TIN
164160-7	A		BRASS	ECON.GOLD
164160-6	B	164163-4	BRASS	ECON.GOLD
164160-4	A		BRASS	SEL.GOLD
164160-3	A		BRASS	EL.TIN
164160-2	B	164163-2	BRASS	SEL.GOLD
164160-1	B	164163-1	BRASS	EL.TIN

NOTES	MATERIAL	THICKNESS	AREA
20	TIN	2,0 μm	ALL OVER
21	NICKEL GOLD TIN	0,8 μm	ALL OVER CONTACT AREA BARREL
22	NICKEL GOLD GOLD	0,8 μm	ALL OVER CONTACT AREA ALL OVER
23	NICKEL GOLD GOLD	1,2 μm	ALL OVER CONTACT AREA ALL OVER
27	NICKEL SILVER TIN	2,5 μm	ALL OVER CONTACT AREA BARREL
28	SILVER	0,5 μm	ALL OVER
29	SILVER	2,5 μm	ALL OVER

THIS DRAWING IS A CONTROLLED DOCUMENT.

DIMENSIONS:	TOLERANCES UNLESS OTHERWISE SPECIFIED:
mm	
0 PLC	± -
1 PLC	± -
2 PLC	± -
3 PLC	± -
4 PLC	± -
ANGLES	± -
MATERIAL	FINISH
-	-

DWN L.V.D.HEYDEN 19.08.1987
 CHK P.V.D.HAGEN
 APVD -
 PRODUCT SPEC -
 APPLICATION SPEC -
 WEIGHT -

Tyco Electronics Tyco Electronics Corporation
 Bideford, UK, EX39 4HE

PIN TYPE III CONTACT
 SIZE 16 (LONG PIN)

SIZE	CAGE CODE	DRAWING NO	RESTRICTED TO
A3	00779	C-164160	-

CUSTOMER DRAWING SCALE - SHEET 1 OF 1 REV G1