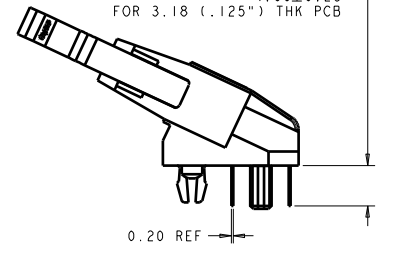
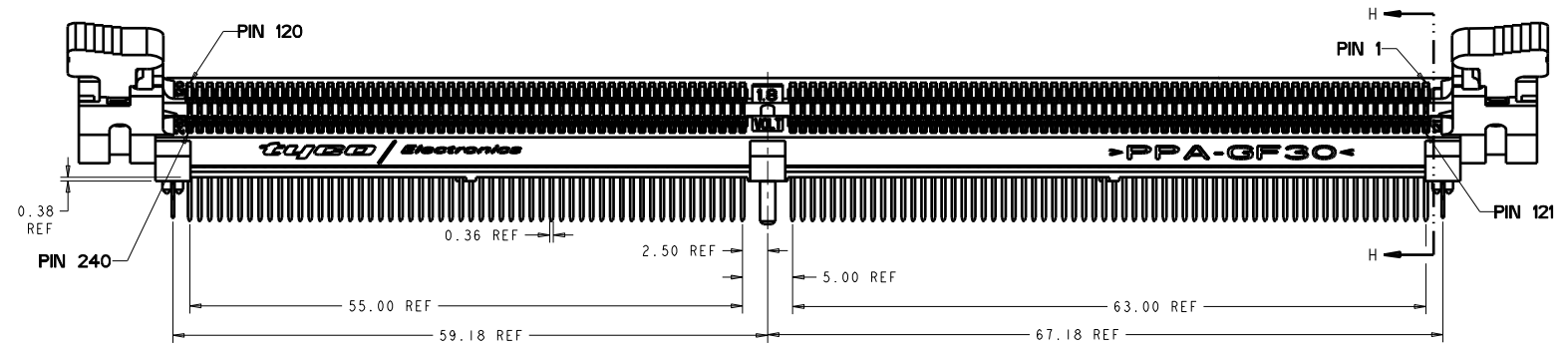


TAIL LENGTHS

- 2.67±0.25
FOR 1.60 (.063") THK PCB
- 3.18±0.25
FOR 2.36 (.093") THK PCB
- 4.00±0.25
FOR 3.18 (.125") THK PCB



- △ MATERIALS:
HOUSING: HIGH TEMPERATURE THERMOPLASTIC, UL94 V-0
EXTRACTOR: HIGH TEMPERATURE THERMOPLASTIC
CONTACTS: COPPER ALLOY
RETENTION BARB: COPPER ALLOY

- △ INTERFACE FINISH:
0.00076 MIN THK GOLD OVER 0.00127 MIN THK NICKEL.
0.00038 MIN THK GOLD OVER 0.00127 MIN THK NICKEL.

- △ SOLDER TAIL FINISH:
0.00300 MIN THK MATTE LEAD FREE PLATING OVER 0.00127 MIN THK NICKEL.

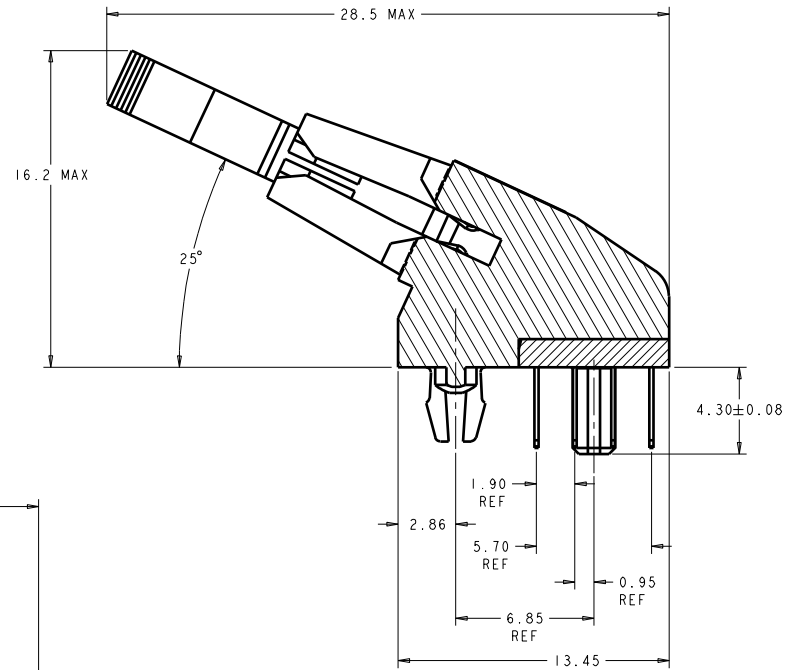
- △ RIGHT HOLE IS GLOBAL D-E ORIGIN FOR ALL POSITIONAL TOLERANCES.
LEFT AND RIGHT NON-PLATED THRU HOLES ESTABLISH -E-.

- △ FINISHED HOLE SIZE. Ø0.15 MAXIMUM ANNULAR RING.

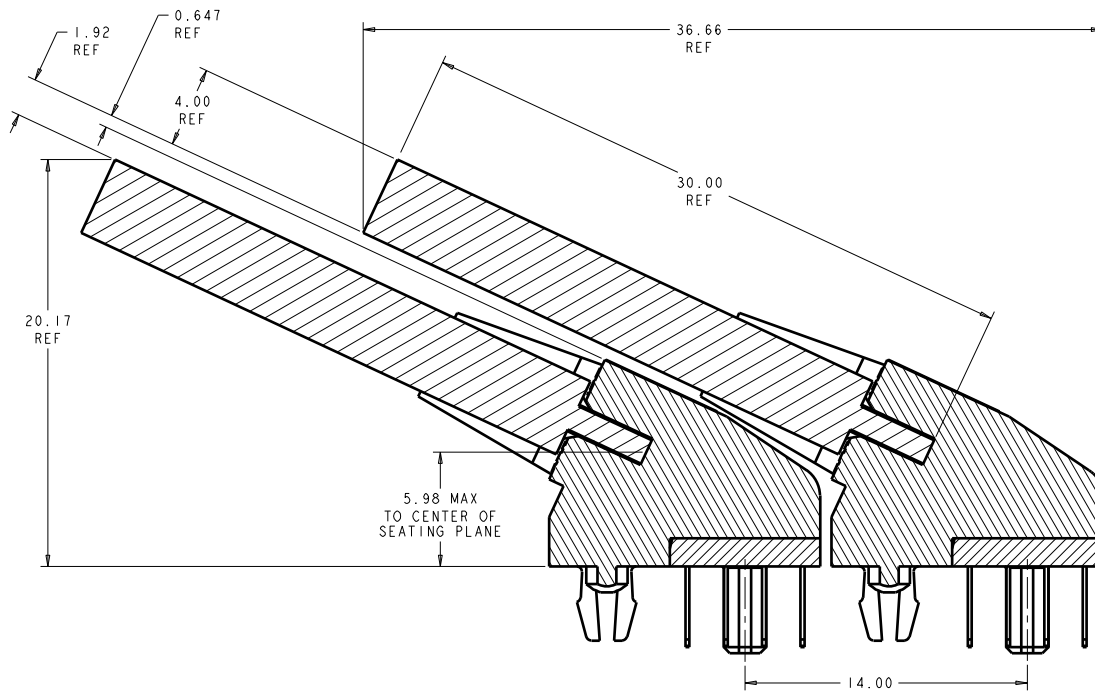
- △ DATUM [-F-] IS CONNECTOR SIDE SURFACE OF PCB.
- △ PORE BLOCKER APPLIED TO CONTACT INTERFACE.

DIMENSIONS:		TOLERANCES UNLESS OTHERWISE SPECIFIED:		DATE: 18 JUL 2003		DRAWN BY: J. RINGLER		CHECKED BY: J. McCLELLAN		APPROVED BY: J. McCLELLAN		PART NO: 21AUG2003		REV: -		
Ø	PLC	Ø	PLC	PRODUCT SPEC	TYCO ELECTRONICS CORPORATION		TYCO ELECTRONICS CORPORATION		58/CN GuiPing RD 6688		NAME		PROJECT SPEC		SCALE	
1	PLC	Ø0.25	PLC	108-2168	SOCKET ASSEMBLY		25 DEGREE DDR II DIMM		240 POSITION		MATERIAL		APPLICATION SPEC		RESTRICTED TO	
2	PLC	Ø0.15	PLC	114-13130	PART NO: 1658787		SCALE: 1:1		SHEET 1 OF 3		REV: C		HEIGHT		DATE	
3	PLC	Ø0.013	PLC	114-13130	CUSTOMER DRAWING		SCALE: 1:1		SHEET 1 OF 3		REV: C		HEIGHT		DATE	
4	PLC	Ø0.013	PLC	114-13130	CUSTOMER DRAWING		SCALE: 1:1		SHEET 1 OF 3		REV: C		HEIGHT		DATE	

REV	DATE	DESCRIPTION	BY	CHK	APP'D
00		SEE SHEET 1			



SECTION H-H
SCALE 8:1



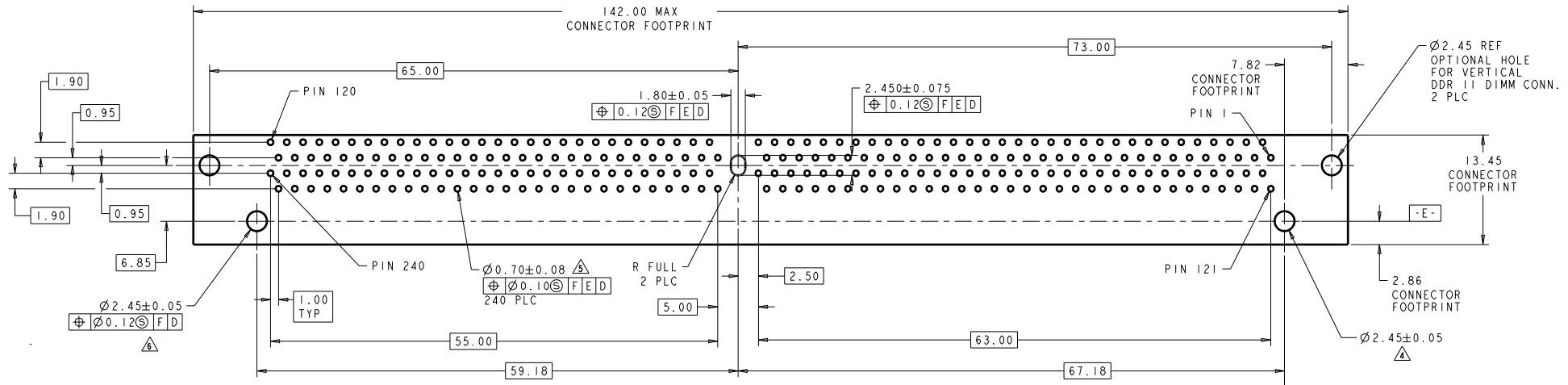
MINIMUM RECOMMENDED ROW TO ROW SPACING
FOR 4mm THICK MODULE

SCALE 8:1

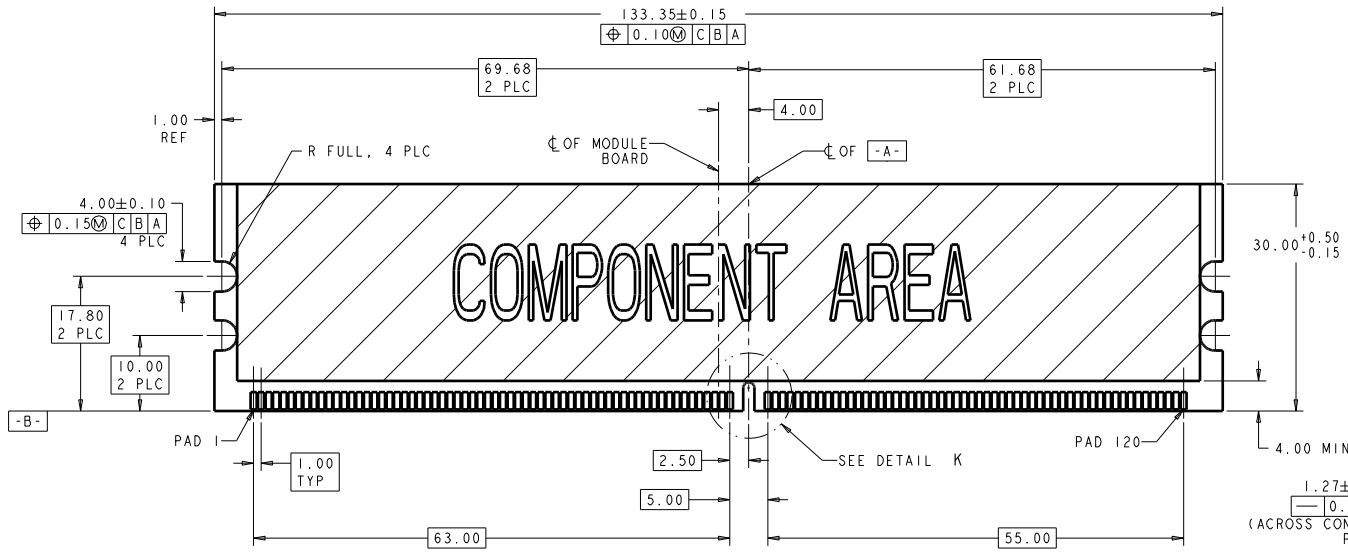
EXTRACTOR COLOR	HOUSING COLOR	CONTACT GOLD INTERFACE	TAIL LENGTH	PART NUMBER
BLACK	BLACK	0.00038 MIN	2.67	2-1658787-4
		0.00000 MIN	4.00	1658787-9
		0.00000 MIN	3.18	1658787-8
		0.00000 MIN	2.67	1658787-7
		0.00030 MIN	4.00	1658787-6
		0.00038 MIN	3.18	1658787-5
NATURAL	BLACK	0.00076 MIN	2.67	1658787-1
		0.00076 MIN	4.00	1658787-3
		0.00076 MIN	3.18	1658787-2
		0.00076 MIN	2.67	1658787-1

DIMENSIONS: mm TOLERANCES UNLESS OTHERWISE SPECIFIED: 0.150 ± 0.25 0.250 ± 0.15 0.500 ± 0.13 ANGLES: 0.1° ± 0.1°		DATE: 18 JUL 2003 DRAWN BY: RINGLER CHECKED BY: 21AUG2003	TFCO ELECTRONICS CORPORATION 581/CN GuPing RD 6688
PRODUCT SPEC: SOCKET ASSEMBLY APPLICATION SPEC: 25 DEGREE DDR II DIMM 240 POSITION		PART: A1 QTY: 00779 SCALE: 1:1	SHEET: 2 OF 3 RESTRICTED TO: []

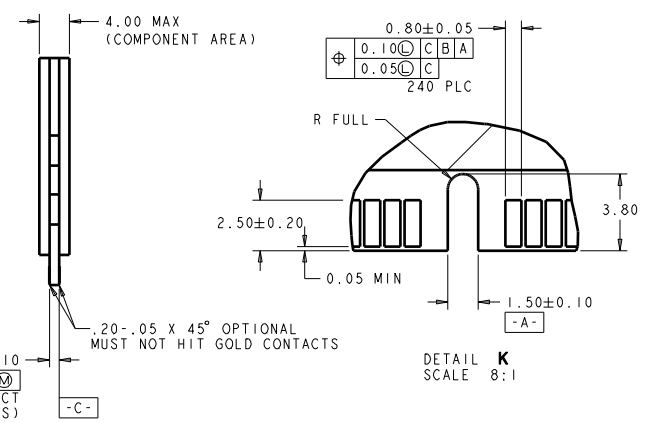
LOC	REV	DATE	DESCRIPTION	BY	CHKD
ES	00				
			SEE SHEET 1		



RECOMMENDED PCB HOLE LAYOUT
VIEWED FROM CONNECTOR SIDE
SCALE: 4:1



RECOMMENDED MODULE LAYOUT
SCALE: 3:1



DETAIL K
SCALE: 8:1

DIMENSIONS: \varnothing 0.15 (C B A) 4 PLC \varnothing 0.12 (F E D) 240 PLC \varnothing 0.70 (A) 240 PLC \varnothing 0.10 (C B A) 4 PLC \varnothing 0.12 (F E D) 240 PLC \varnothing 0.70 (A) 240 PLC \varnothing 0.10 (C B A) 4 PLC \varnothing 0.12 (F E D) 240 PLC \varnothing 0.70 (A) 240 PLC		DATE: 18 JUL 2003 BY: D. RINGLER CHKD: 21AUG2003	Tyco Electronics Corporation 581/CN Guilford Rd 6688
MATERIAL: FINISH:	PRODUCT SPEC: APPLICATION SPEC: PART: HEIGHT:	NAME: SOCKET ASSEMBLY 25 DEGREE DDR II DIMM 240 POSITION PART: 00779 © 1658787 CUSTOMER DRAWING	