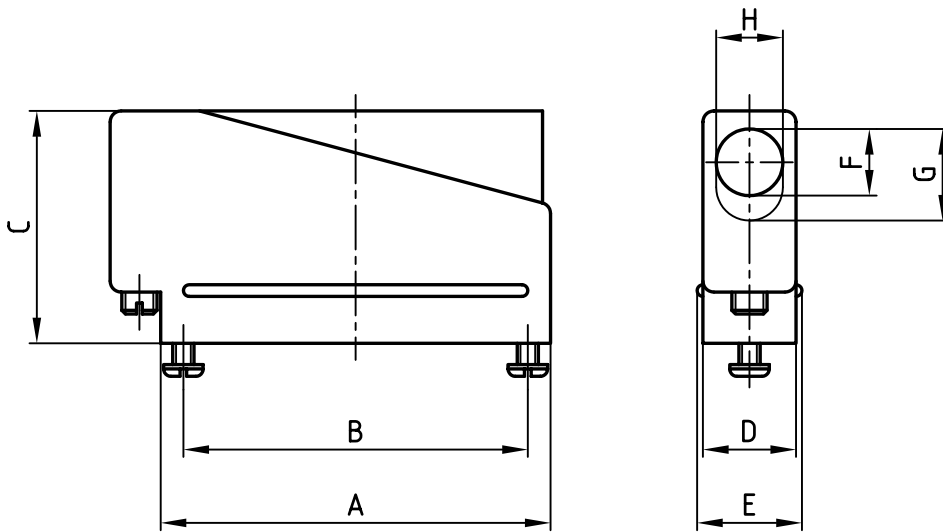


used for: D-SUB



No. of pos.	A	B	C	D	E	F	G	H	Part NO.
9	30.9	25.0	25.4	12.7	14.3	7.1	----	----	165X10439XE
15	39.3	33.3	25.4	12.7	14.3	9.1	----	----	165X10449XE
25	53.2	47.0	31.7	12.7	14.3	----	12.5	9.1	165X10459XE
37	69.4	63.5	38.1	12.7	14.3	----	17.6	9.1	165X10469XE
50	67.1	61.1	38.1	15.5	17.0	----	18.6	11.9	165X10479XE

APPROVAL # FREIGABE # DEBLOCAGE # AUTORIZACION # APPROVAL

CUSTOMER APPROVAL DATE:

NAME: TITLE:

COMPANY NAME:

APPROVAL # FREIGABE # DEBLOCAGE # AUTORIZACION # APPROVAL



THIS DRAWING MAY NOT BE COPIED OR REPRODUCED IN ANY WAY, AND MAY NOT BE PASSED ON TO A THIRD PARTY WITHOUT WRITTEN PERMISSION.  
OWNERSHIP AND COPYRIGHT OF CONEC GmbH  
DO NOT ALTER CAD DRAWING BY HAND

tolerance		dim. in mm	
2006	date	name	
drawn	07.02.	Lehmenkühler	
appd.	07.02.	Mickenbecker	
norm			
d-old			
a	Origin		
rev.	description	date	name



scale:	1:1
material:	HOOD: POLYAMID
title:	ONE PIECE PLASTIC HOOD 9-50pos. side entry
dwg no:	AutoCAD 2004
	DIN-A 4
	sh: 1/1
part no:	SEE TABLE

4

3

2

1