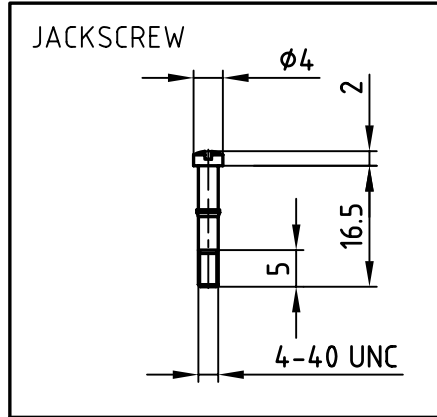
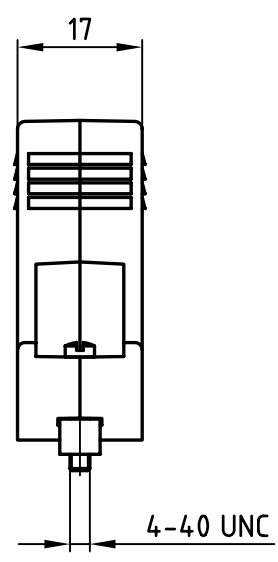
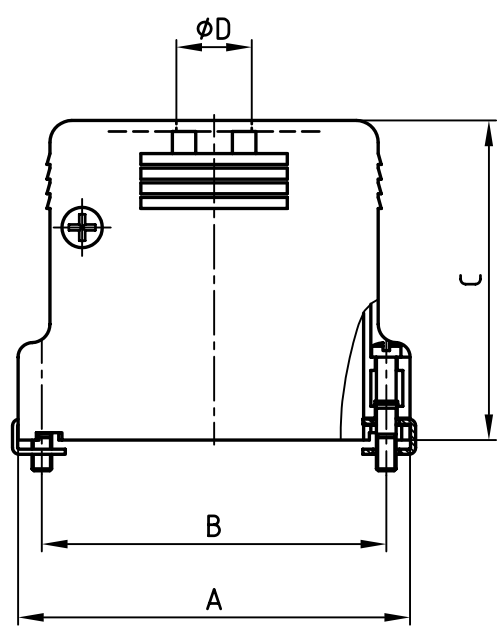


used for: D-SUB



No. of pos.	A	B	C	φD	Part No.
9	31.2	25.0	43.6	8.0	165X13179XE
25	53.5	47.0	43.6	10.3	165X13199XE
37	69.7	63.5	43.6	10.3	165X13209XE

Directive 2002/95/EC
"RoHS"
Compliant

APPROVAL # FREIGABE # DEBLOCAGE # AUTORIZACION # APPROVAL

CUSTOMER APPROVAL DATE:

NAME: TITLE:

COMPANY NAME:

APPROVAL # FREIGABE # DEBLOCAGE # AUTORIZACION # APPROVAL

NOTES:

- HOOD MATERIAL: POLYAMID + GF
- JACKSCREW MATERIAL: BRASS; NICKEL PLATED
- COVER SCREW MATERIAL: STEEL; NICKEL PLATED
- CLAMP MATERIAL: STEEL; NICKEL PLATED

THIS DRAWING MAY NOT BE COPIED OR REPRODUCED IN ANY WAY, AND MAY NOT BE PASSED ON TO A THIRD PARTY WITHOUT WRITTEN PERMISSION. OWNERSHIP AND COPYRIGHT OF CONEC GmbH DO NOT ALTER CAD DRAWING BY HAND

tolerance		dim. in mm	
2006	date	name	
drawn	06.02.	Lehmenkühler	
appd.	07.02.	Mickenbecker	
norm			
d-old			
a	Origin		
rev.	description	date	name



scale:	1:1	
material:	SEE NOTES	
title:	PLASTIC HOOD 9, 25, 37pos. with straight cable exit	
dwg no:	AutoCAD 2004	DIN-A
	16K1A1735	4
		sh: 1/1
part no:	SEE TABLE	

4

3

2

1

4

3

2

1