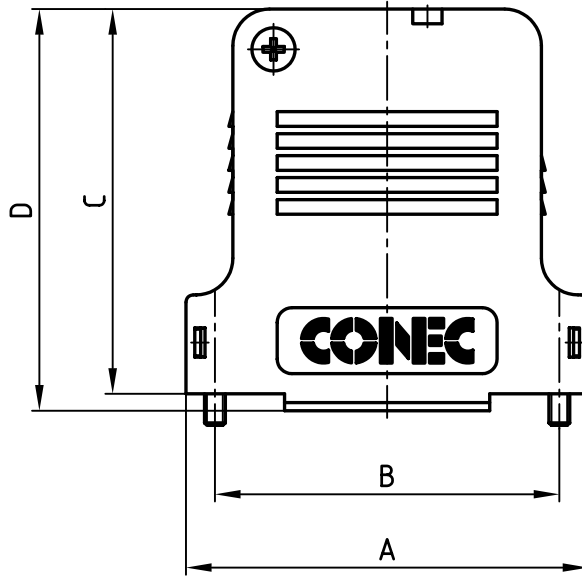
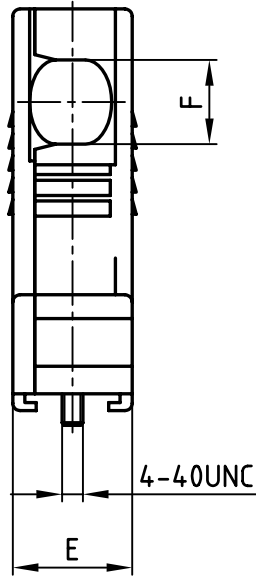


used for: D-SUB



| No. of pos. | A    | B    | C    | D    | E    | ØF   | PART NO.    |
|-------------|------|------|------|------|------|------|-------------|
| 9           | 32.9 | 25.0 | 39.5 | 41.8 | 16.3 | 5.6  | 165X13419XE |
| 15          | 41.2 | 33.3 | 45.5 | 47.8 | 16.3 | 8.6  | 165X13429XE |
| 25          | 54.9 | 47.0 | 52.5 | 54.8 | 16.3 | 12.0 | 165X13439XE |
| 37          | 71.4 | 63.5 | 55.0 | 57.8 | 18.7 | 15.0 | 165X13449XE |
| 50          | 69.0 | 61.1 | 55.0 | 57.8 | 19.5 | 14.0 | 165X13459XE |

Directive 2002/95/EC  
"RoHS"  
Compliant

**HOOD ASSEMBLY CONSISTS OF:**

- 1 x HOOD + COVER: PBT UL 94 V-0; BLACK
- 1 x PRESS INSERT: PBT UL 94 V-0; BLACK
- 2 x JACKSCREWS: BRASS; NICKEL PLATED
- 2 x SCREW FOR STRAIN RELIEF: STEEL; ZINC PLATED
- 1 x COVER SCREWS: STEEL; NICKEL PLATED
- 1 x STRAIN RELIEF: STEEL; NICKEL PLATED

APPROVAL # FREIGABE # DEBLOCAGE # AUTORIZACION # APPROVAL

CUSTOMER APPROVAL DATE:

NAME: TITLE:

COMPANY NAME:

APPROVAL # FREIGABE # DEBLOCAGE # AUTORIZACION # APPROVAL

**TECHNICAL DATA:**

- TEMPERATURE RANGE: -33°C to +90°C

THIS DRAWING MAY NOT BE COPIED OR REPRODUCED IN ANY WAY, AND MAY NOT BE PASSED ON TO A THIRD PARTY WITHOUT WRITTEN PERMISSION. OWNERSHIP AND COPYRIGHT OF CONEC GmbH DO NOT ALTER CAD DRAWING BY HAND

| tolerance |             | dim. in mm   |      |
|-----------|-------------|--------------|------|
| 2006      | date        | name         |      |
| drawn     | 06.02.      | Lehmenkühler |      |
| appd.     | 06.02.      | Mickenbecker |      |
| norm      |             |              |      |
| d-old     |             |              |      |
| a         | Origin      |              |      |
| rev.      | description | date         | name |



|           |  |         |
|-----------|--|---------|
| scale:    | 1:1  |         |
| material: | SEE DRAWING  |         |
| title:    | <b>PLASTIC HOOD</b><br>9-50pos. WITH SIDE CABLE EXIT<br>big space inside |         |
| dwg no:   | AutoCAD 2004   | DIN-A   |
|           | 16K1A1737  | 4       |
|           |  | sh: 1/1 |
| part no:  | SEE TABLE  |         |