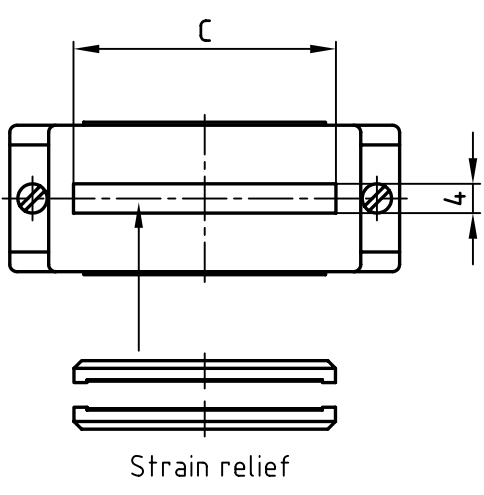
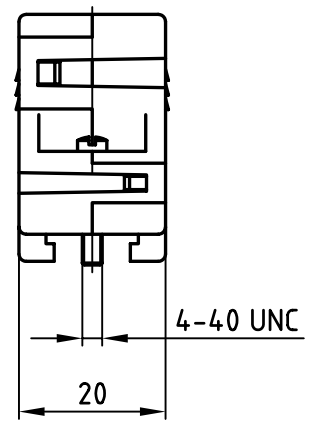
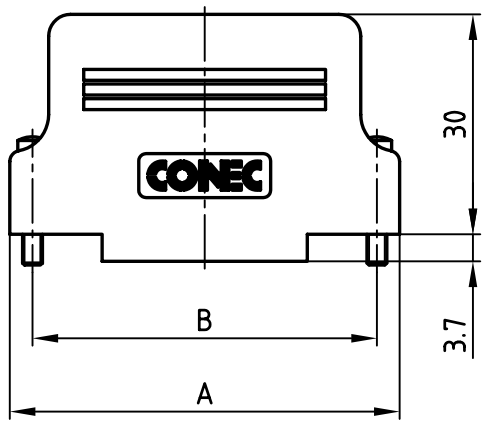


used for: D-SUB



No. of pos.	A	B	C	Part NO.
25	53.2	47.0	35.8	165X14029XE
37	69.7	63.5	50.5	165X14039XE

APPROVAL # FREIGABE # DEBLOCAGE # AUTORIZACION # APPROVAL

CUSTOMER APPROVAL DATE:

NAME: TITLE:

COMPANY NAME:

APPROVAL # FREIGABE # DEBLOCAGE # AUTORIZACION # APPROVAL



- NOTES:**
1. HOOD: ABS V0; GREY
  2. STRAIN RELIEF: ABS V0; GREY
  3. SCREWS: BRASS; NICKEL PLATED

THIS DRAWING MAY NOT BE COPIED OR REPRODUCED IN ANY WAY, AND MAY NOT BE PASSED ON TO A THIRD PARTY WITHOUT WRITTEN PERMISSION.  
OWNERSHIP AND COPYRIGHT OF CONEC GmbH  
DO NOT ALTER CAD DRAWING BY HAND

tolerance		dim. in mm	
2006	date	name	
drawn	09.02.	Lehmenkühler	
appd.	09.02.	Mickenbecker	
norm			
d-old			
a	Origin		
rev.	description	date	name



scale:	1:1
material:	SEE NOTES
title:	<b>PLASTIC HOOD</b> 25pos. + 37pos. FOR FLAT CABLE IDC D-Subminiature
dwg no:	AutoCAD 2004
	DIN-A 4
	sh: 1/1
part no:	16K1A1748
	SEE TABLE