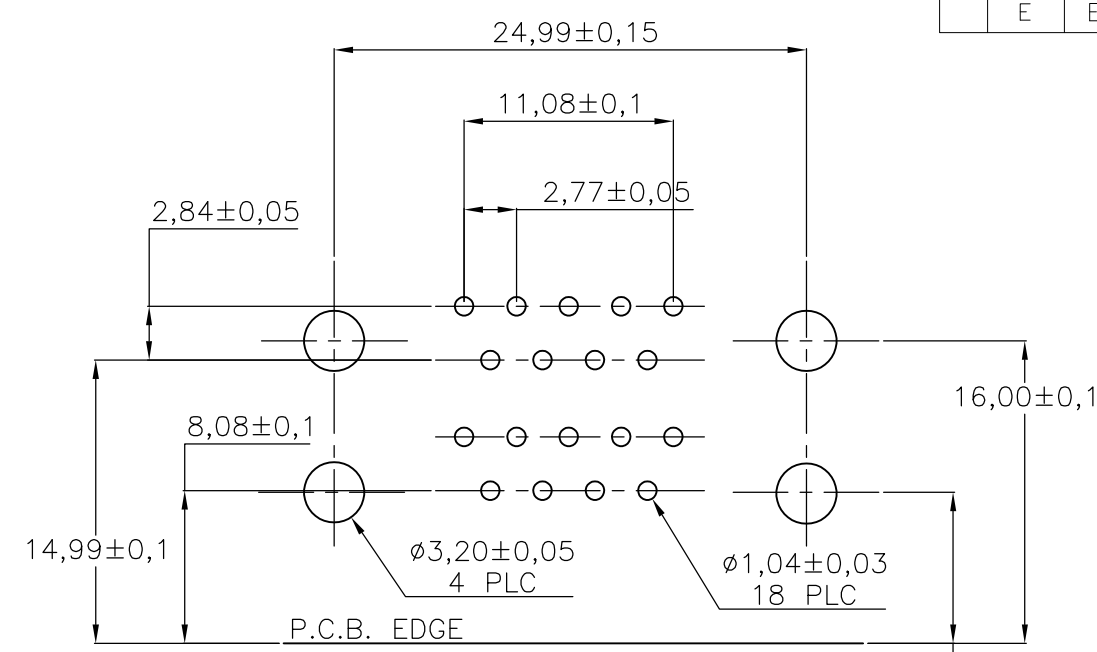
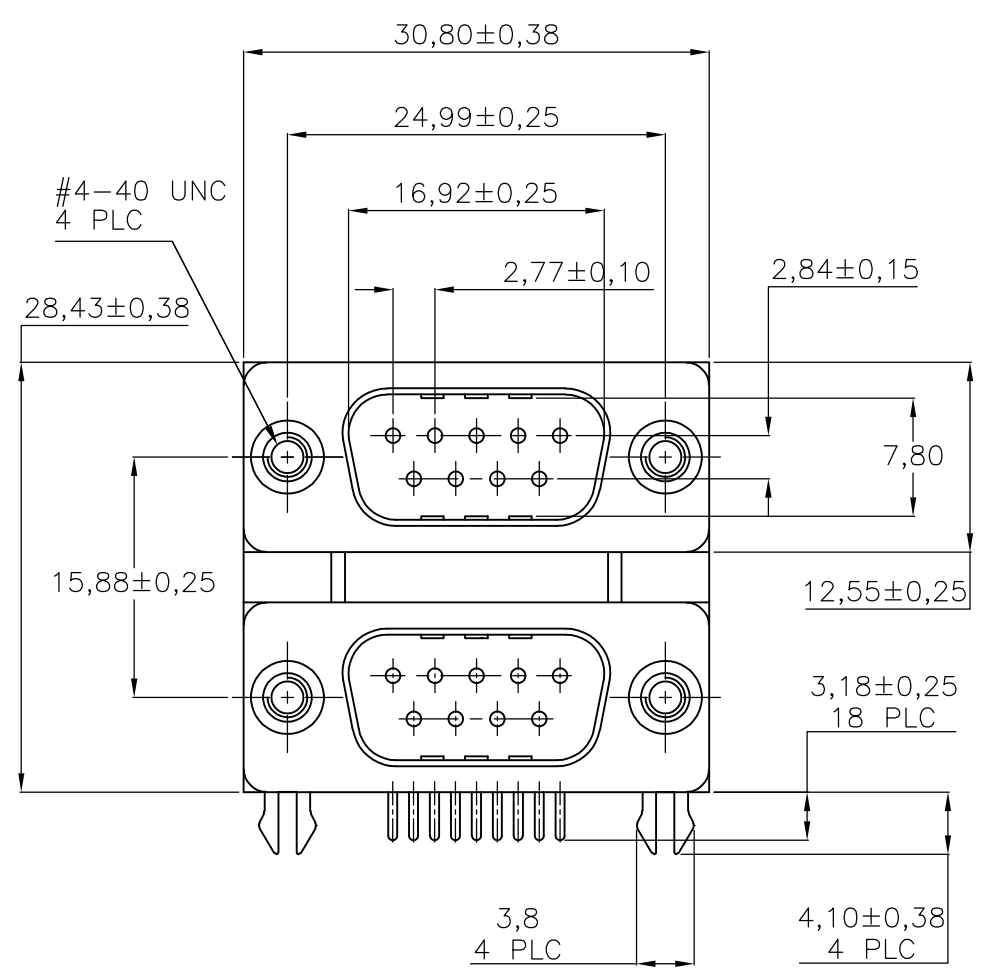


THIS DRAWING IS UNPUBLISHED. RELEASED FOR PUBLICATION
 © COPYRIGHT BY TYCO ELECTRONICS CORPORATION. ALL INTERNATIONAL RIGHTS RESERVED.

LOC	DIST	REVISIONS					
		P	LTR	DESCRIPTION	DATE	DWN	APVD
H	—		C	ECR-07-010233	02-05-07	JvdH	TdeB
			D	ECR-08-021593	05-09-08	AEG	KMA
			E	ECR-10-018569	13SEP10	GSK	KMA

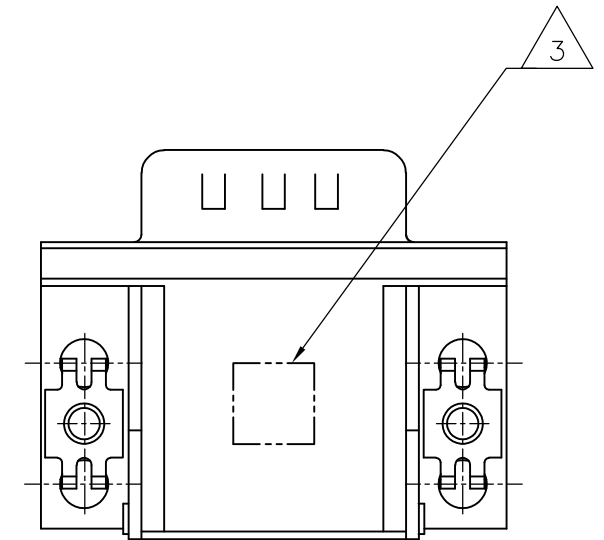
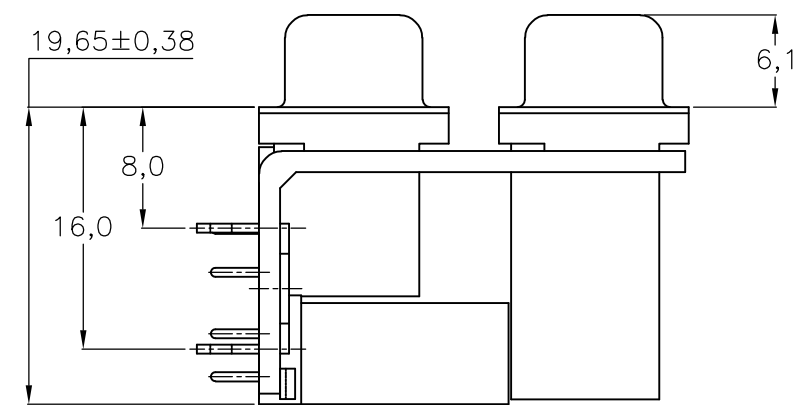
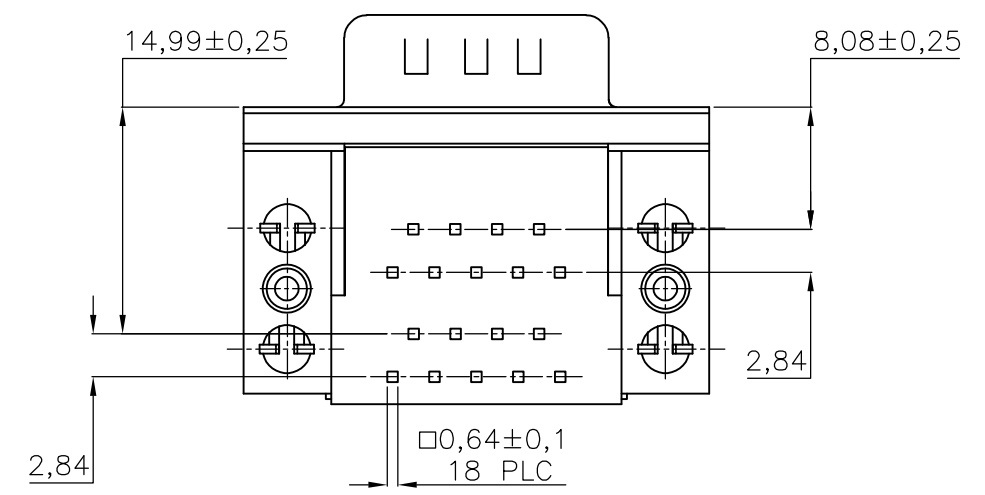


RECOMMENDED PCB LAYOUT
(THICKNESS: 1,6mm)

NOTES:

- MATERIAL:
HOUSING: HIGH TEMP. THERMOPLASTIC WITH 33% GLASS FIBER FILLED, UL 94V-0 RATED, COLOR: BLACK.
CONTACT: BRASS, THICKNESS=0,2mm.
SHELL: SPCC, THICKNESS=0,4mm.
BRACKET: ZINC ALLOY.
BOARDLOCK: BRASS, THICKNESS=0,6mm.
- FINISH:
CONTACT: 30u" GOLDPLATING IN CONTACT AREA, 100u" MIN TIN-Cu OR TIN (LEAD FREE) PLATING ON SOLDER TAILS, 30u" MIN NICKEL UNDERPLATED OVER ALL.
SHELL: 50u" MIN NICKEL PLATED.
BRACKET : 50u" MIN. NICKEL PLATED.
BOARDLOCK : 120u" MIN. TIN PLATED.

△ 3 TE-LOGO



1705896-1 AS SHOWN.

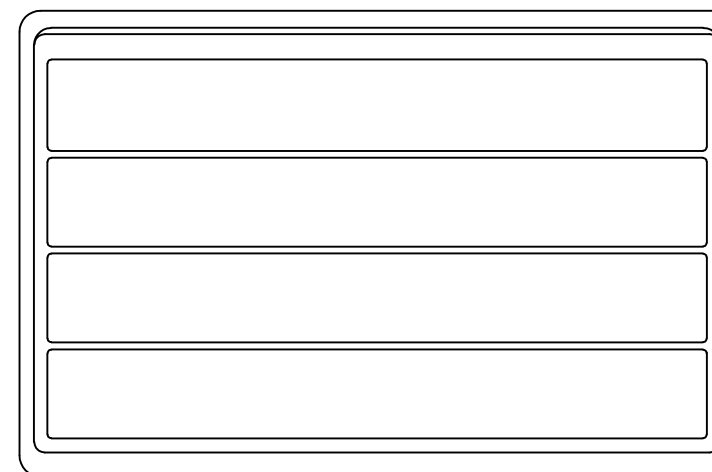
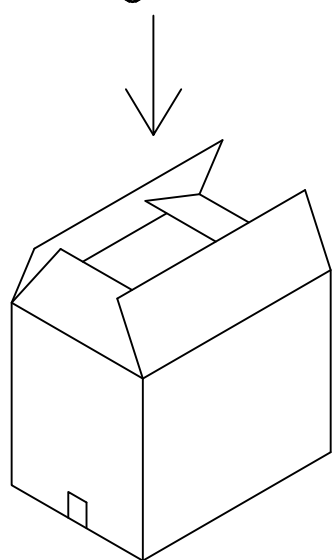
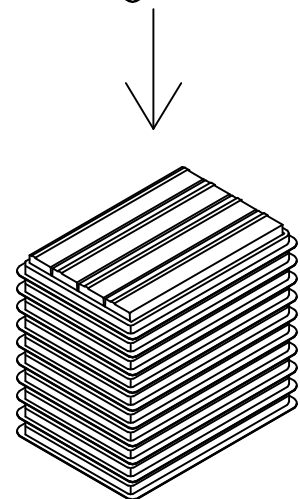
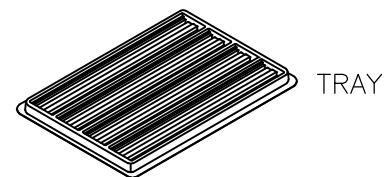
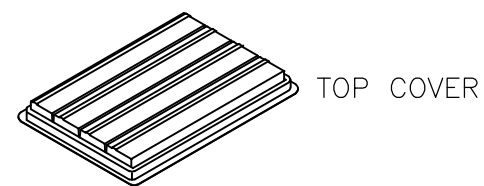
THIS DRAWING IS A CONTROLLED DOCUMENT.		DWN J.V.D.HEIJDEN 03MAR05	Tyco Electronics Corporation 's-Hertogenbosch, Nederland												
DIMENSIONS: mm		CHK D.CAMPSCHROER 03MAR05	NAME D-SUB STACKED 9M/9M PLUG OVER PLUG, RIGHT ANGLE TYPE.												
TOLERANCES UNLESS OTHERWISE SPECIFIED:		APVD J.BROEKSTEEG 03MAR05	PRODUCT SPEC												
<table border="0"> <tr><td>0 PLC</td><td>± 0,30</td></tr> <tr><td>1 PLC</td><td>± 0,25</td></tr> <tr><td>2 PLC</td><td>± 0,15</td></tr> <tr><td>3 PLC</td><td>± 0,05</td></tr> <tr><td>4 PLC</td><td>± -</td></tr> <tr><td>ANGLES</td><td>± 3'</td></tr> </table>		0 PLC	± 0,30	1 PLC	± 0,25	2 PLC	± 0,15	3 PLC	± 0,05	4 PLC	± -	ANGLES	± 3'	APPLICATION SPEC	
0 PLC	± 0,30														
1 PLC	± 0,25														
2 PLC	± 0,15														
3 PLC	± 0,05														
4 PLC	± -														
ANGLES	± 3'														
MATERIAL		WEIGHT	SIZE A3	CAGE CODE 00779											
		DRAWING NO C-1705896		RESTRICTED TO											
		CUSTOMER DRAWING		SCALE NTS											
		SHEET 1 OF 2		REV E											

THIS DRAWING IS UNPUBLISHED. RELEASED FOR PUBLICATION
 © COPYRIGHT BY TYCO ELECTRONICS CORPORATION. ALL INTERNATIONAL RIGHTS RESERVED.

LOC	DIST	REVISIONS					
H	—	P	LTR	DESCRIPTION	DATE	DWN	APVD
			—	SEE SHEET 1	—	—	—

NOTES:

1. MATERIAL:
 - 1.1 TRAY : ESD PROTECTED PACKAGING.
 - 1.2 SHIPPING CARTON : CORRUGATED FIBERBOARD
2. DIMENSION:
 - 2.1 TRAY : L=325, W=230, H=30
 - 2.2 SHIPPING CARTON : L=340, W=245, H=230
3. QUANTITY:
 - 3.1 PRIMARY PACKING : 36 PCS/TRAY
 - 3.2 SECONARY PACKING : 7 TRAY/CARTON(252PCS)
4. WEIGHT:
 - 4.1 NET WEIGHT : 5,14Kg
 - 4.2 GROSS WEIGHT : 7,14Kg
5. MUST BE DRY PACKED.



THIS DRAWING IS A CONTROLLED DOCUMENT.		DWN J.V.D.HEIJDEN 03MAR05	Tyco Electronics Corporation 's-Hertogenbosch, Nederland	
DIMENSIONS: mm 		CHK D.CAMPSCHROER 03MAR05	NAME	
TOLERANCES UNLESS OTHERWISE SPECIFIED: 0 PLC ± - 1 PLC ± - 2 PLC ± - 3 PLC ± - 4 PLC ± - ANGLES ± -		APVD J.BROEKSTEEG 03MAR05	D-SUB STACKED 9M/9M PLUG OVER PLUG, RIGHT ANGLE TYPE.	
MATERIAL		PRODUCT SPEC	SIZE	RESTRICTED TO
FINISH		APPLICATION SPEC	CAGE CODE	
		WEIGHT	DRAWING NO	
		CUSTOMER DRAWING	A3 00779	
			G=1705896	
		SCALE	SHEET	REV
		NTS	2 OF 2	E