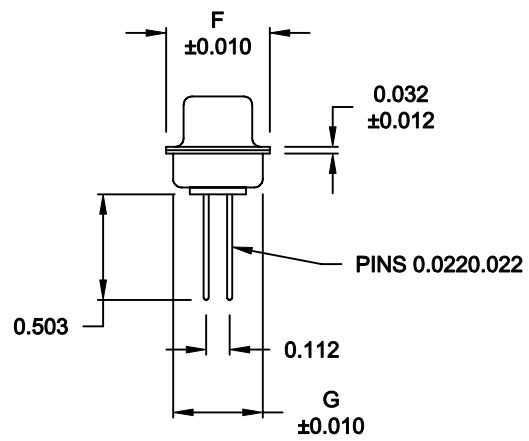
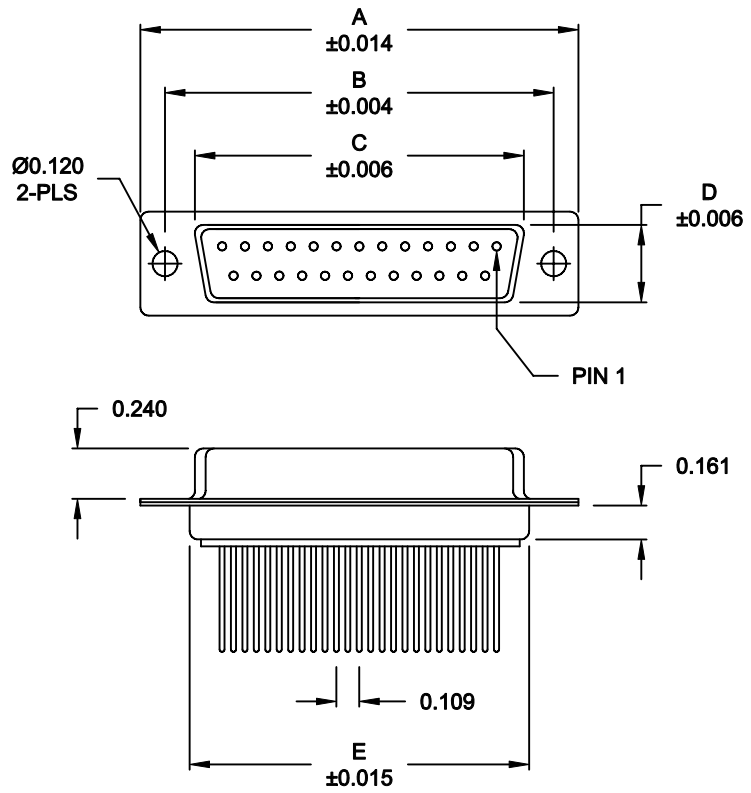


DESCRIPTION: FEMALE - WIRE WRAP / MACHINED - PREMIUM



No. OF PINS	DIMENSIONS						
	A	B	C	D	E	F	G
9	1.213	0.984	0.642	0.315	0.760	0.480	0.429
	30.80	24.99	16.30	8.00	19.30	12.20	10.90
15	1.541	1.312	0.969	0.315	1.083	0.480	0.429
	39.15	33.32	24.60	8.00	27.51	12.20	10.90
25	2.088	1.852	1.512	0.315	1.630	0.480	0.429
	53.04	47.04	38.40	8.00	41.40	12.20	10.90
37	2.729	2.500	2.157	0.315	2.276	0.480	0.429
	69.32	63.50	54.80	8.00	57.81	12.20	10.90
50	2.635	2.406	2.059	0.425	2.182	0.598	0.535
	66.93	61.11	52.30	10.80	55.42	15.20	13.60

172-YYY-242RYY1

- SERIES \_\_\_\_\_
- POSITIONS \_\_\_\_\_
- 009 \_\_\_\_\_
- 015 \_\_\_\_\_
- 025 \_\_\_\_\_
- 037 \_\_\_\_\_
- 050 \_\_\_\_\_
- GENDER \_\_\_\_\_
- 2 = FEMALE
- TERMINATION \_\_\_\_\_
- 4 = WIRE WRAP
- SHELL PLATING \_\_\_\_\_
- 2 = TIN
- RoHS COMPLIANT \_\_\_\_\_
- HARDWARE OPTIONS \_\_\_\_\_
- 00 = NO HARDWARE
- 01 = .065" CLINCH NUT (BOARD SIDE)
- 02 = .250" CLINCH NUT (BOARD SIDE)
- 03 = .250" CLINCH NUT (MOUNTING SIDE)
- 05 = .237" 4-40 BOARD LOCK
- 91 = .237" 4-40 SPACER/ BOARD LOCK
- PLATING OPTIONS \_\_\_\_\_
- 1 = GOLD FLASH
- 2 = 30MICRO-INCH GOLD

**MATERIAL:**

SHELL: STEEL, TIN  
 INSULATOR: UL 94V-O RATED, BEIGE PBTP  
 PROCESS TEMP.: 260° C  
 CONTACT: BRASS

**ELECTRICAL:**

CURRENT RATING: 5 AMPS  
 CONTACT RESISTANCE: 15 mOhms Max.  
 INSULATION RESISTANCE: 1,000 MOhms min.  
 VOLTAGE: 500VAC FOR 1 MINUTE  
 TEMPERATURE: -50° C TO 100° C

DO NOT SCALE FROM DRAWING

	THESE DRAWINGS AND SPECIFICATIONS ARE THE PROPERTY OF NorComp AND SHALL NOT BE REPRODUCED, COPIED OR USED AS THE BASIS FOR THE MANUFACTURE OF SALE OF APPARATUS WITHOUT WRITTEN PERMISSION.		DRAWN: PAM JENKINS	DATE: 09-12-05
			CHECKED:	DATE:
<b>NorComp</b>		SCALE: 1:1	SHEET 1 OF 2	REV 5
		DWG NO. 172-YYY-242RYY1		

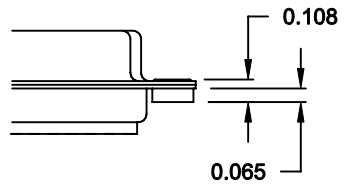
RoHS COMPLIANT

DESCRIPTION: CLINCH NUT HARDWARE

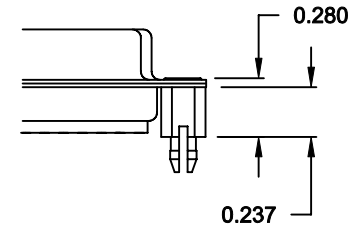
**TOLERANCE:**  
ALL DIMENSIONS ARE ±0.010

**ALL CLINCH-NUTS ARE 4-40 INTERNAL THREADS**

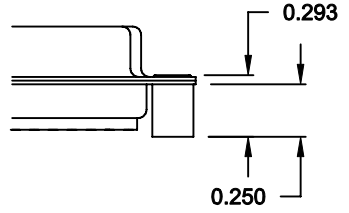
01X ..... 0.065" (BOARD SIDE) - CN1



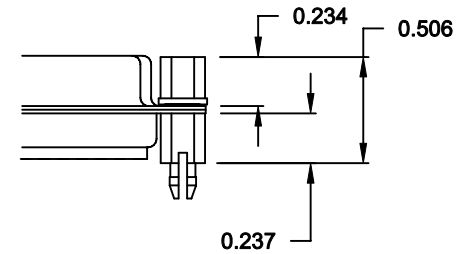
05X ..... 0.237" (BOARD SIDE) - CN10



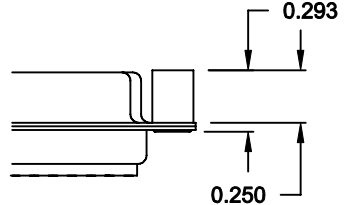
02X ..... 0.250" (BOARD SIDE) - CN2



91X ..... 0.237" (BOARD SIDE) - 0.197" MATING SIDE - CN10/SFSO4404



03X..... 0.250" (MATING SIDE) - CN8



NOTE: 4-40 FEMALE SCREW LOCK IS REMOVABLE

**DO NOT SCALE FROM DRAWING**



THESE DRAWINGS AND SPECIFICATIONS ARE THE PROPERTY OF NorComp AND SHALL NOT BE REPRODUCED, COPIED OR USED AS THE BASIS FOR THE MANUFACTURE OF SALE OF APPARATUS WITHOUT WRITTEN PERMISSION.

DRAWN:  
**WAYNE ROBBINS**

DATE:  
**11-28-05**

CHECKED:

DATE:

**NorComp**

SCALE: SHEET 2 OF 2 REV 5

DWG NO. **172-YYY-242RYY1**

**RoHS COMPLIANT**