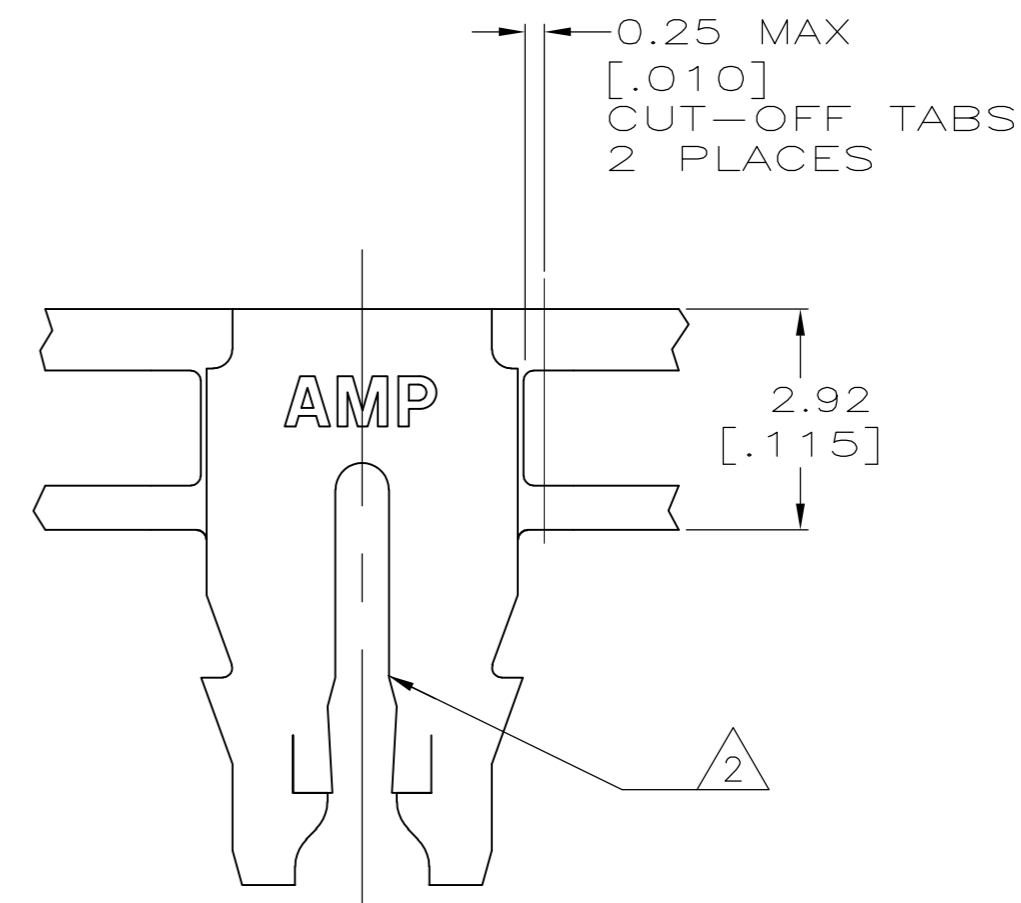
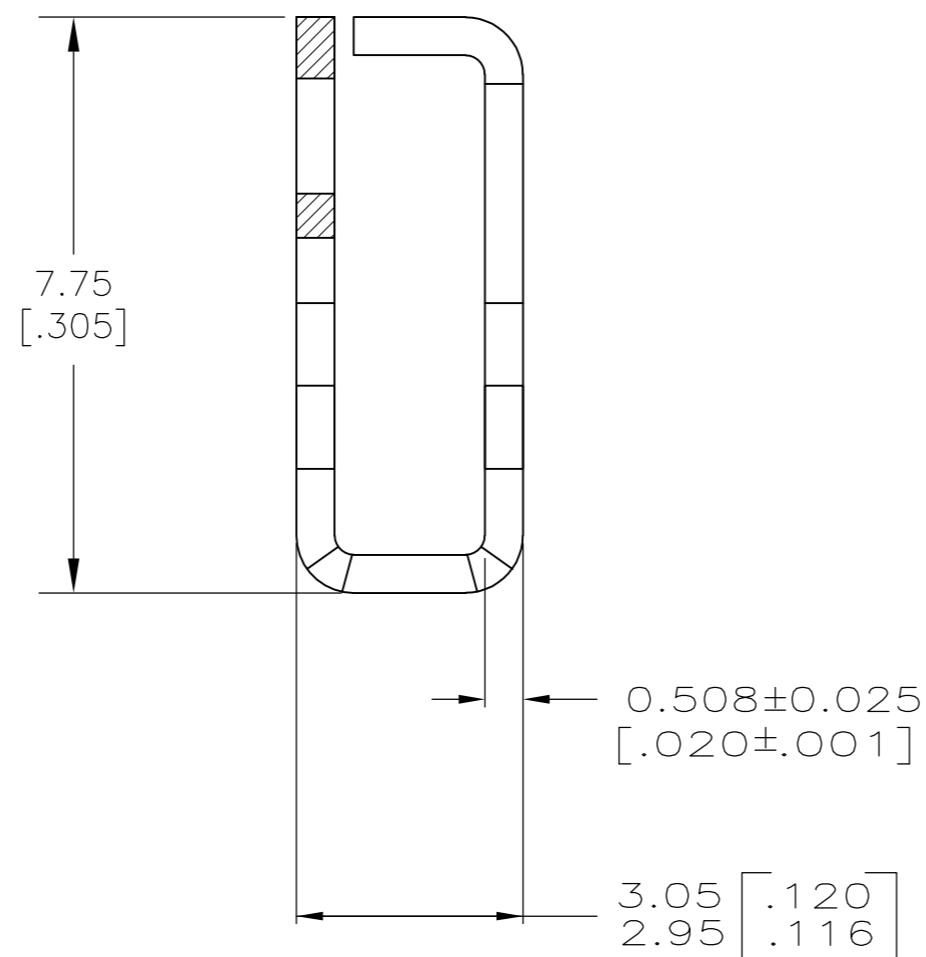
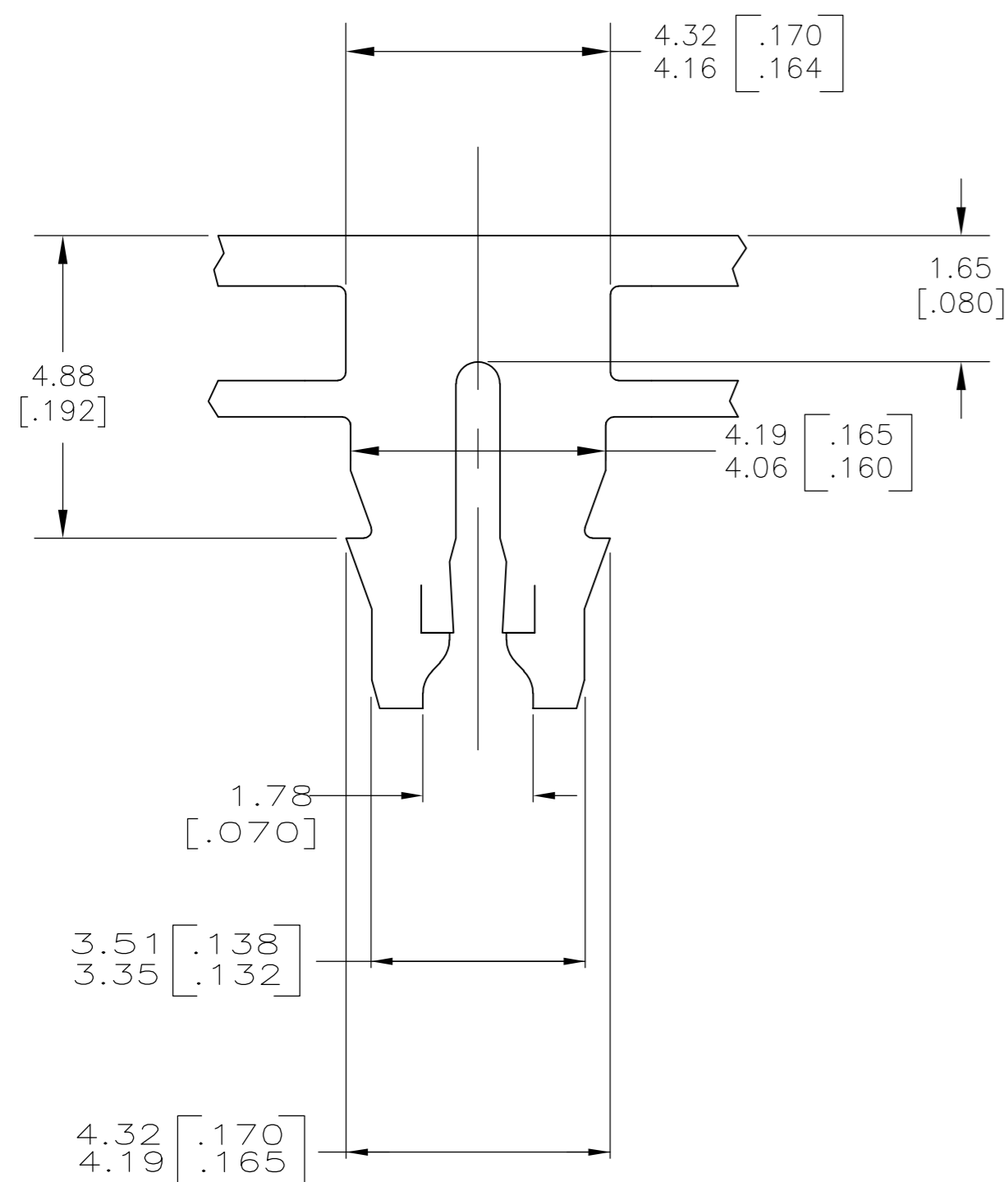


THIS DRAWING IS UNPUBLISHED. RELEASED FOR PUBLICATION
 © COPYRIGHT BY TYCO ELECTRONICS CORPORATION. ALL RIGHTS RESERVED.

| LOC | DIST | REVISIONS | | | |
|-----|------|-------------|---------------------------|---------|--------|
| P | LTR | DESCRIPTION | DATE | DWN | APVD |
| AF | 50 | C3 | REVISED PER ECR-09-004303 | 27FEB09 | HMR KR |



- 1 CONTINUOUS STRIP ON REELS WITH TERMINALS LOCATED ON 5.59 ± 0.08 [$.220 \pm .003$] CENTERS.
- 2 SLOT TERMINATES EITHER A SINGLE OR DOUBLE MAGNET WIRE OF THE SAME SIZE AND TYPE. COPPER RANGE: 0.91-1.02mm [#19-#17] AWG.
- 3 SPECIAL CAVITY ANVIL HEIGHT REQUIRES 3.30 ± 0.07 [$.130 \pm .003$]. REF APPLICATION SPEC 114-2046, SEC. 3.2, NOTE 7



| | |
|----------|-------------|
| REVERSE | 1742159-2 |
| STANDARD | 1742159-1 |
| REELING | PART NUMBER |

| | | | | |
|----------------------------------------|-------------------------------------|------------------------------------|-----------------------------------------------------------|--------------|
| THIS DRAWING IS A CONTROLLED DOCUMENT. | | DWN 11AUG2004 MICHAEL S. FEHER | Tyco Electronics Corporation Harrisburg, PA 17105-3608 | |
| DIMENSIONS: INCHES | | CHK 11AUG2004 KURT A. RANDOLPH | NAME | |
| TOLERANCES UNLESS OTHERWISE SPECIFIED: | | APVD 11AUG2004 KURT A. RANDOLPH | PRODUCT SPEC | |
| 0 PLC ± - | | 108-2012 | | |
| 1 PLC ± - | | APPLICATION SPEC | | |
| 2 PLC ± 0.25 [.010] | | 114-2046 3 | | |
| 3 PLC ± - | | SIZE | CAGE CODE | DRAWING NO |
| 4 PLC ± - | | A2 | 00779 | C=1742159 |
| ANGLES ± - | | RESTRICTED TO | | |
| MATERIAL | FINISH | WEIGHT | SCALE | |
| 4M BRASS | 0.002032 [.000080] MIN TIN PLATE | - | 10:1 | SHEET 1 of 1 |
| CUSTOMER DRAWING | | REV C3 | | |