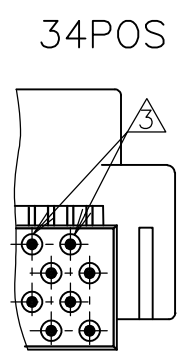
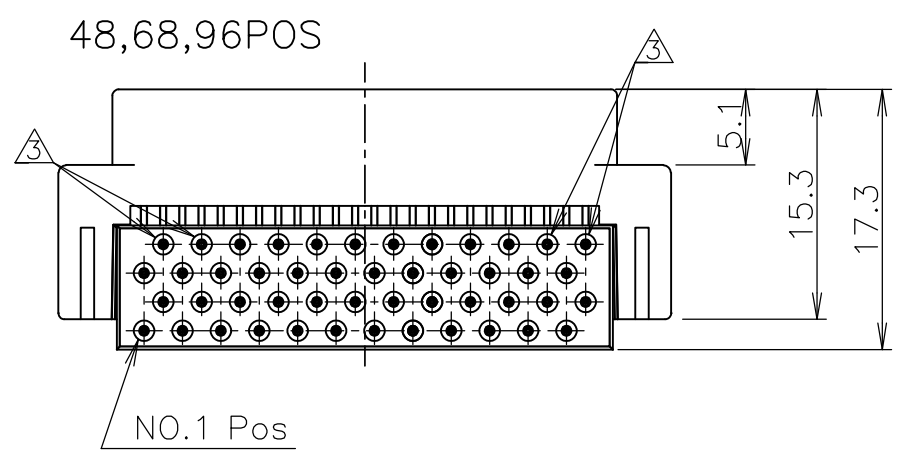
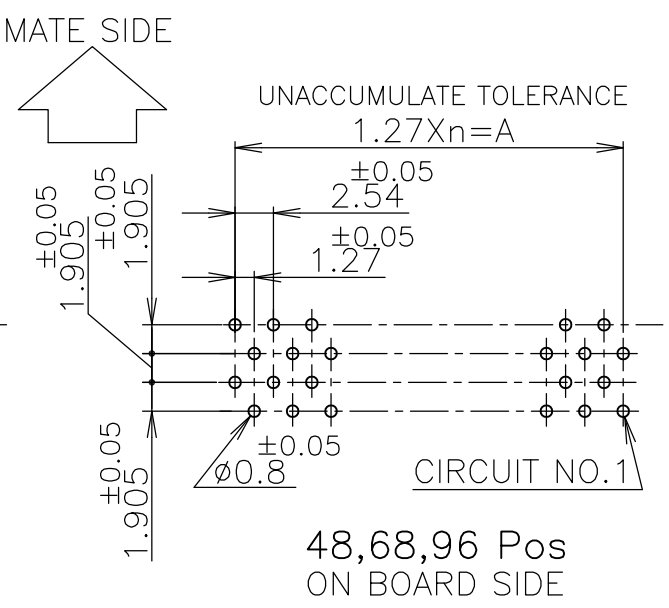
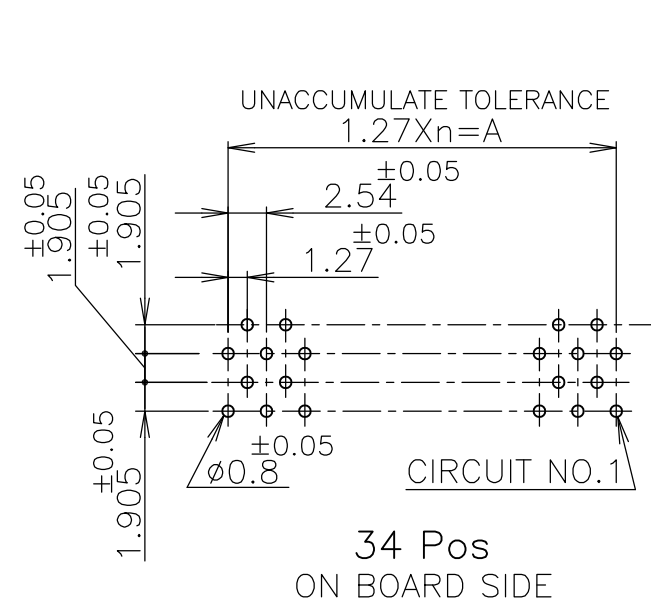
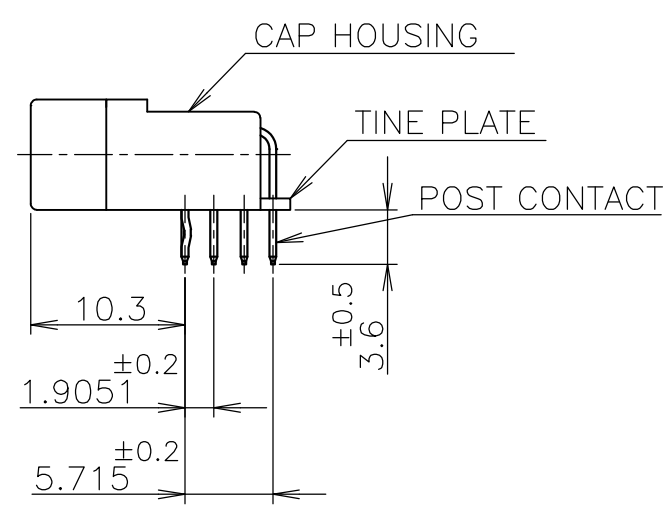
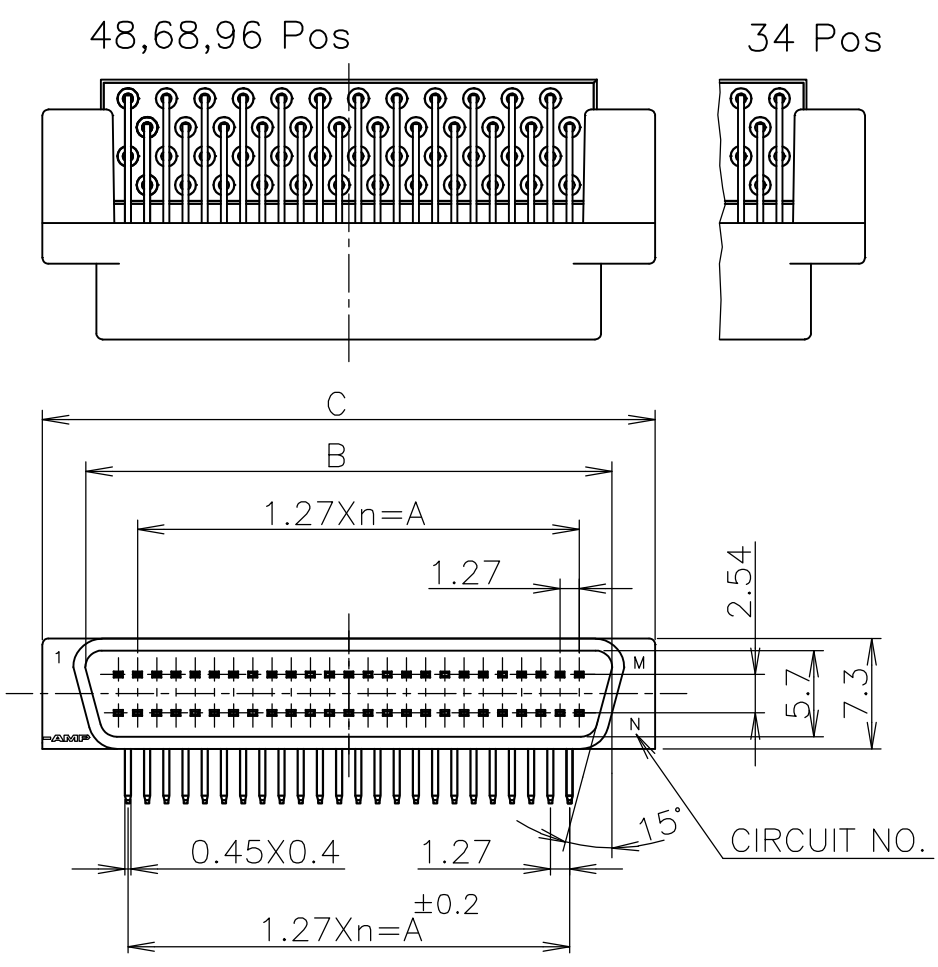


THIS DRAWING IS UNPUBLISHED. RELEASED FOR PUBLICATION DEC, 1987.
 © COPYRIGHT 1987 BY TYCO ELECTRONICS CORPORATION. ALL RIGHTS RESERVED.

LOC	DIST	REVISIONS					
		P	LTR	DESCRIPTION	DATE	DWN	APVD
J		B1		REVISED PER ECO-10-000443	16JAN10	KK	AEG

- ① MATERIAL AND FINISH
 CAP HOUSING AND TINE PLATE
 ; THERMOPLASTIC (UL94V-0) COLOR:BLACK
 POST CONTACT
 ; PHOS-BRONZE FINISH, OVER NICKEL
 MATING END: 0.0002 MIN. OR
 0.00076 MIN. GOLD
 TERMINATION END: TIN
 OVER SEALING TREATMENT.
- ② P.C.B. LAYOUT AND P.C.B. TREATMENT(REF.)
 USE A P.C.B. SURFACE ARE TREATED WITH SOLDER RESIST.
- ③ KINK POSITIONS(4 POSITIONS).
- ④ OBSOLETE PARTS: OBSOLETE CIS STREAMLINING PER D.RENAUD/D.SINISI



④ OBSOLETE	Au PL. 0.00076 MIN.	96	48	59.69	64.06	71.00	47	96	6-174684-8
		68	34	41.91	46.28	53.22	33	68	6-174684-7
④ OBSOLETE	Au PL. 0.0002 MIN.	48	24	29.21	33.58	40.52	23	48	6-174684-6
		34	17	20.32	24.69	31.63	16	34	6-174684-5
④ OBSOLETE	Au PL. 0.0002 MIN.	96	48	59.69	64.06	71.00	47	96	174684-8
		68	34	41.91	46.28	53.22	33	68	174684-7
④ OBSOLETE	Au PL. 0.0002 MIN.	48	24	29.21	33.58	40.52	23	48	174684-6
		34	17	20.32	24.69	31.63	16	34	174684-5
REMARK		N	M	A	B	C	n	POS.	PART NO.

鉛フリー
LEAD FREE

GENERAL TOLERANCE
一般公差
10 ≥ : ±0.2
30 ≥ > 10: ±0.25
100 ≥ > 30: ±0.3
ANGLES: ±3°

THIS DRAWING IS A CONTROLLED DOCUMENT.

DIMENSIONS: 単位: 耗 MM	TOLERANCES UNLESS OTHERWISE SPECIFIED: 一般公差	DWN Y.SATO 23DEC87	Tyco Electronics AMP K.K. Kawasaki, Japan
	0 PLC ± 1 PLC ± 2 PLC ± 3 PLC ± 4 PLC ± ANGLES ±	CHK R.NISHIMURA 23DEC88	
MATERIAL 材料	FINISH 仕上	APVD T.DOI 23JAN88	NAME 名称 CAP ASSY HORIZONTAL (W/KINK) AMPLIMITE .050 SERIES I B-TO-B CONN.
		PRODUCT SPEC 製品規格	SIZE A3
		APPLICATION SPEC 取付適用規格	CAGE CODE 00779
		WEIGHT	DRAWING NO 番号 G-174684
		CUSTOMER DRAWING	RESTRICTED TO
			SCALE 尺度 2:1
			SHEET 1 OF 1
			REV B1