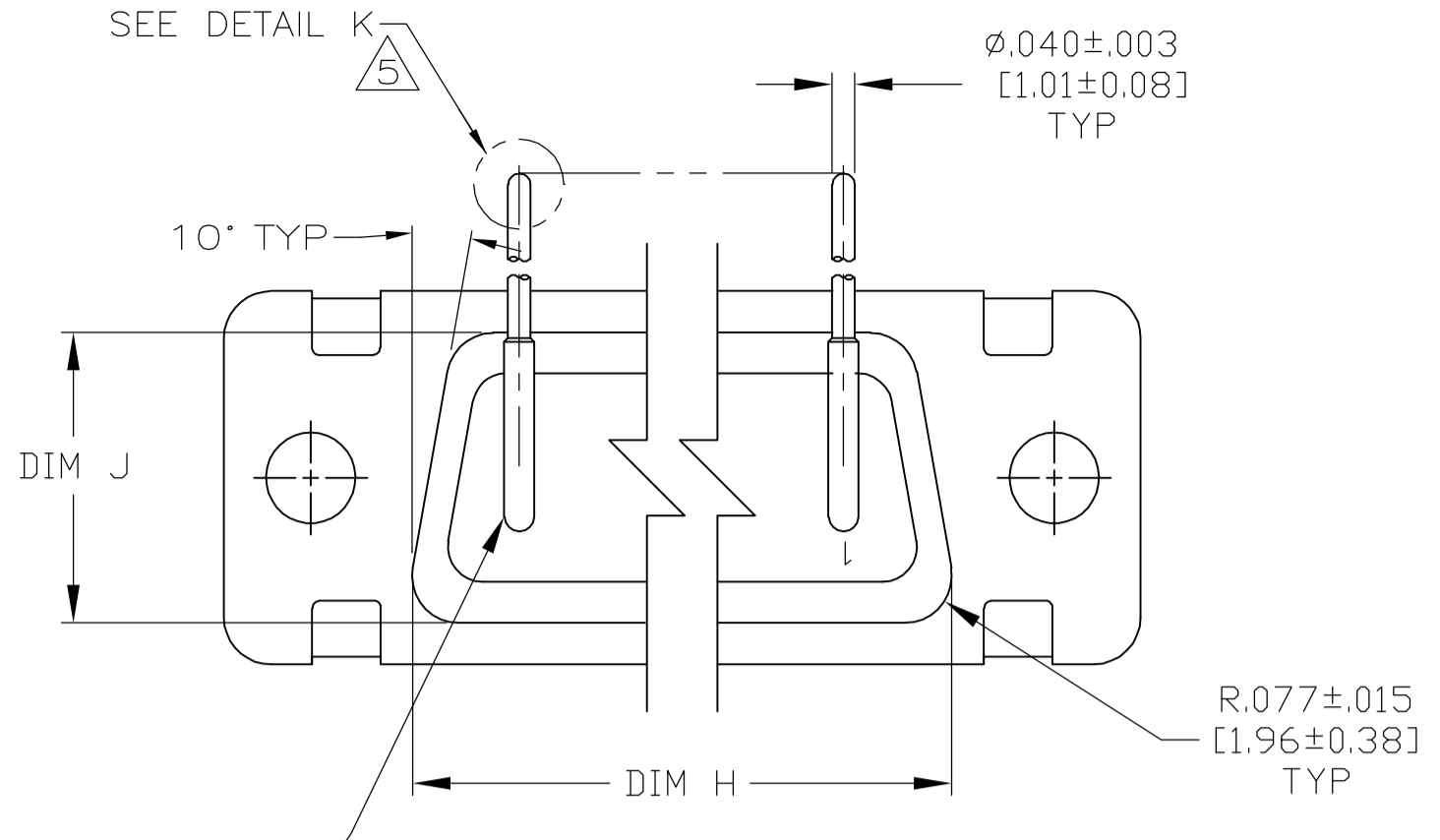
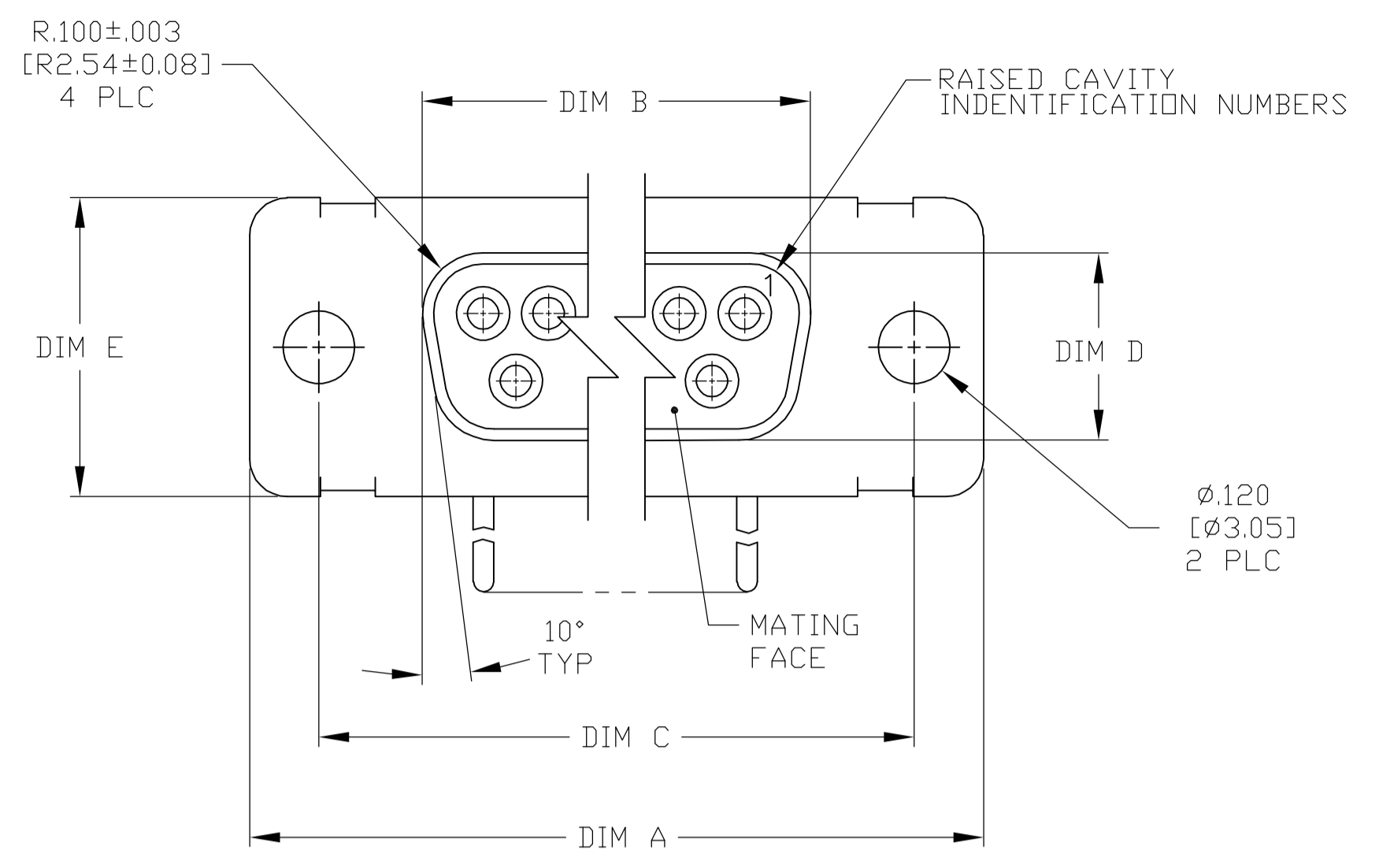


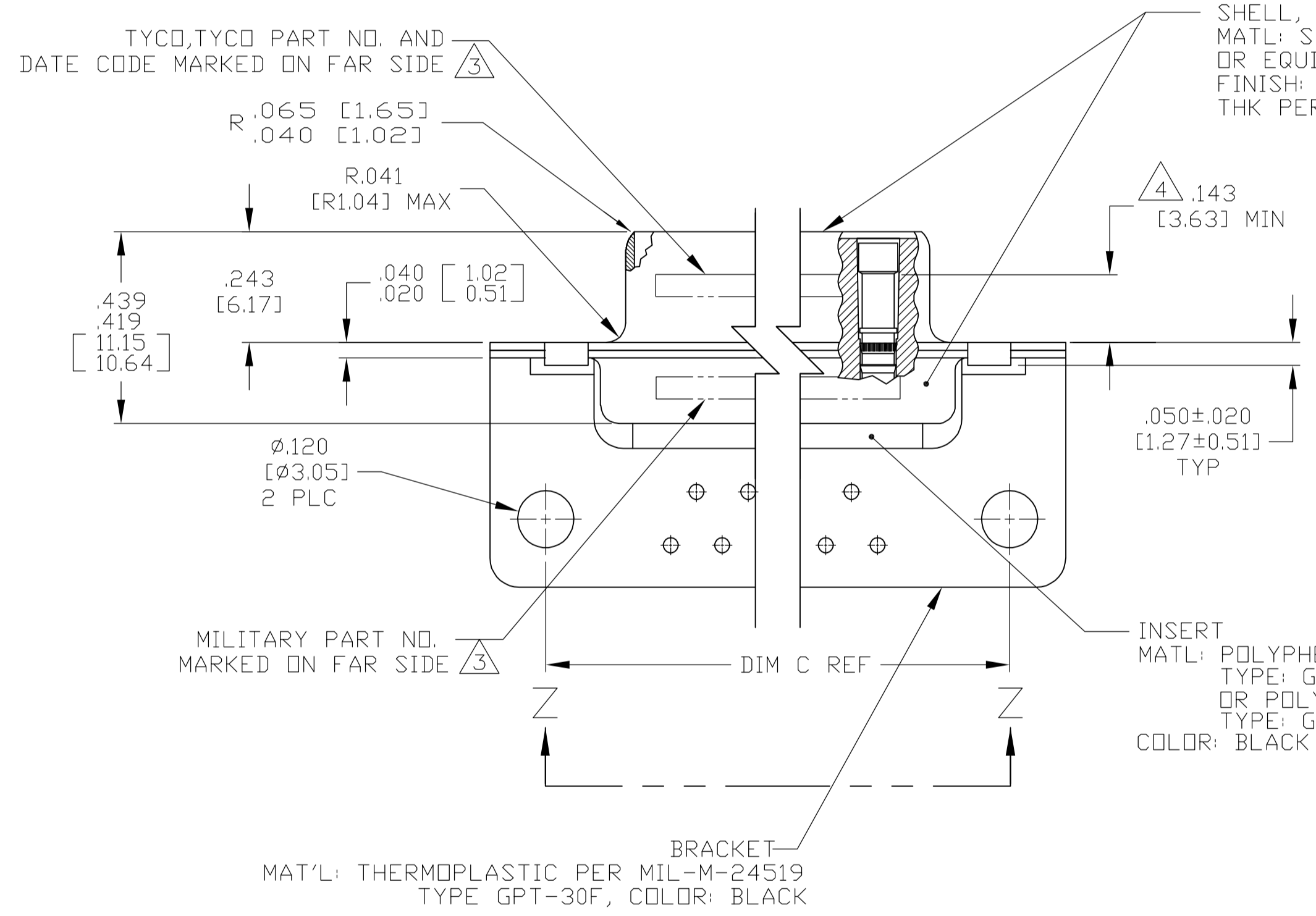
LOC	DIST	REV	DESCRIPTION	DATE	BY	APPV
DF	AO	0	RELEASED	3-22-06	CT	DM



VIEW Z-Z
SHOWN WITH BRACKET
REMOVED FOR CLARITY

CONTACT (QTY = NO. OF POSN)
MATL: BRASS PER ASTM-B-16, OR BERYLLIUM
COPPER PER ASTM-B-194
FINISH: GOLD PER ASTM-B-488, TYPE II,
GRADE C, CLASS 1:27 IN CONTACT MATING AREA,
.000010 [0.0003] MIN THK GOLD PER ASTM-B-488
OVER .000050 [0.0013] MIN THK NICKEL
PER SAE-AMS-QQ-N-290 ON CONTACT BODY

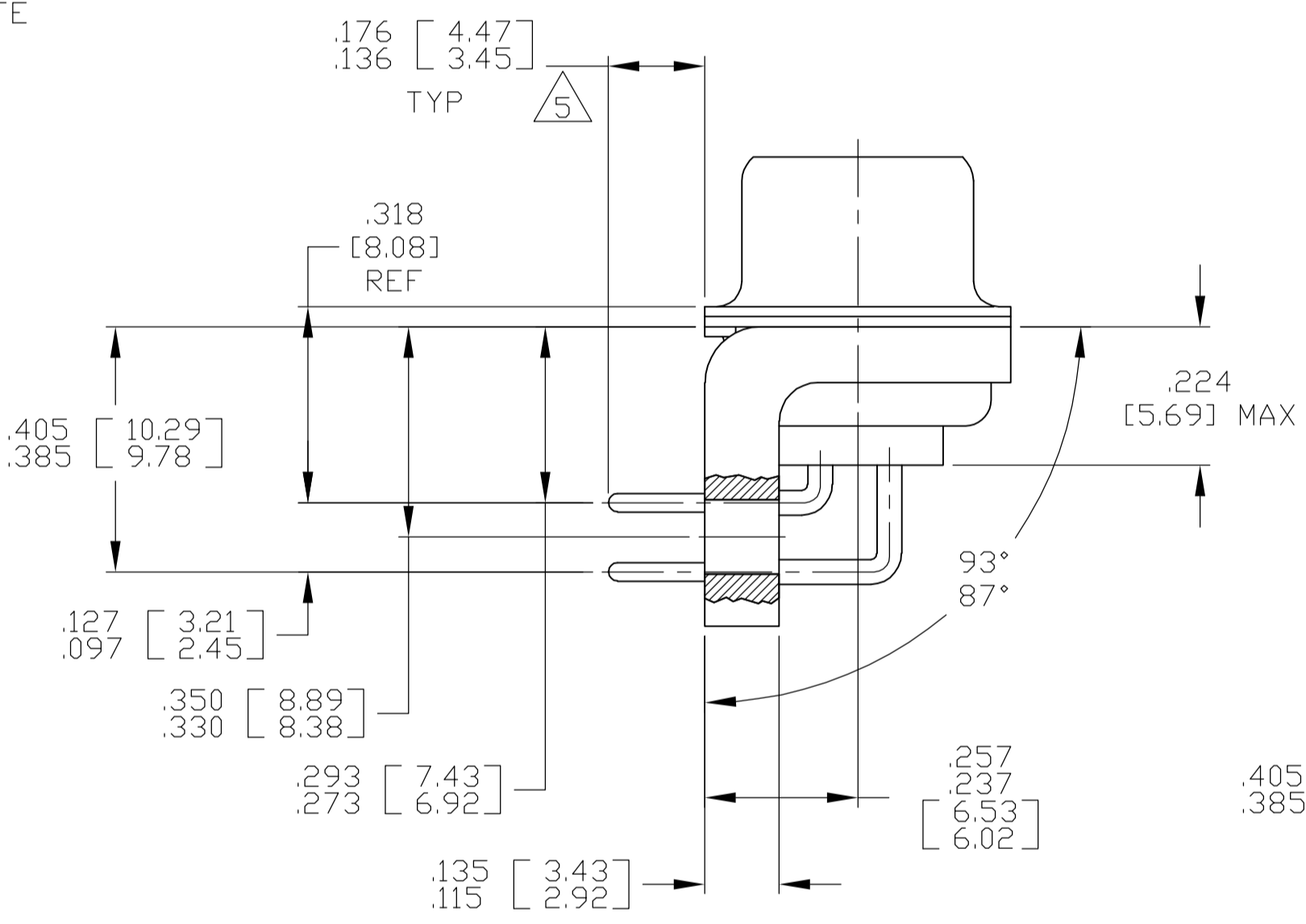
1. SEE SHEET 2 FOR RECOMMENDED P.C. BOARD LAYOUT. TRUE POSITION TOLERANCE FOR P.C. BOARD LAYOUT IS .010 [0.25] AT MAX MATERIAL CONDITION. SUGGESTED BOARD THICKNESS IS .062 [1.57]
2. THE CONNECTORS DESCRIBED IN THIS DOCUMENT MEET THE REQUIREMENTS OF MIL-C-24308 AND MATE WITH ANY PLUG CONNECTOR WITH SAME INSERT ARRANGEMENT.
3. MARKED WITH .047 [1.19]-.062 [1.57] HIGH CHARACTERS. FAR SIDE REFERS TO THE WIDE SIDE OF THE KEYSTONE. NEAR SIDE REFERS TO THE NARROW SIDE OF THE KEYSTONE. IF THE REAR SHELL IS TOO SMALL FOR THE ENTIRE MILITARY PART NUMBER, MARKING SHALL BE LOCATED AS FOLLOWS:
 - A. "M24308" ON FRONT SHELL, FAR SIDE.
 - B. SLASH SHEET AND DASH NUMBER ON REAR SHELL, FAR SIDE.
 - C. "TYCO" AND DATE CODE ON FRONT SHELL, NEAR SIDE.
 - D. TYCO PART NUMBER ON REAR SHELL, NEAR SIDE.
 IF THE FRONT SHELL IS TOO SMALL FOR "TYCO", TYCO PART NUMBER AND DATE CODE, MARKING SHALL BE SPLIT AS FOLLOWS:
 - A. TYCO PART NUMBER ON REAR SHELL, NEAR SIDE.
 - B. "TYCO" AND DATE CODE ON FRONT SHELL, NEAR SIDE.
 - C. MILITARY PART NUMBER ON REAR SHELL, FAR SIDE.
4. POINT OF ELECTRICAL ENGAGEMENT - AS MEASURED WITH A .0390-.0393 [0.991-0.998] DIA SQUARE ENDED PIN.
5. SOLDER DIPPED PER J-STD-001 WITH Sn63 SOLDER PER J-STD-006 IN THE ENTIRE AREA OF DIMENSION SHOWN. (1757844-6 THRU -10 ONLY.)
6. MEETS SOLDERABILITY PER MIL-STD-202 METHOD 208.



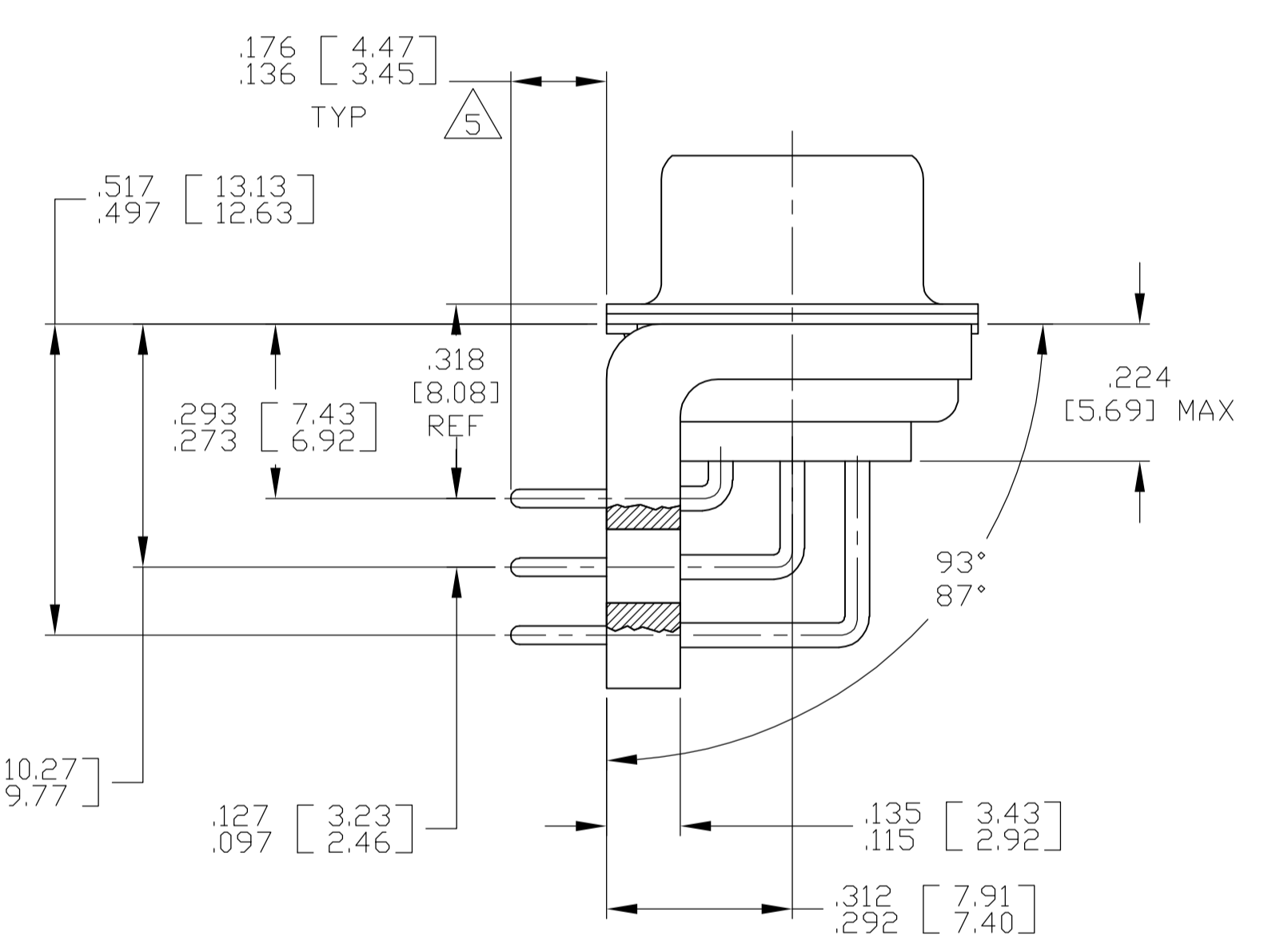
SHELL, FRONT & REAR
MATL: STEEL PER ASTM A 109
OR EQUIVALENT
FINISH: ZINC PLATED .000200 [0.0051] MIN
THK PER ASTM-B-633; YELLOW CHROME

INSERT
MATL: POLYPHENYLENE SULFIDE (PPS)
TYPE: GST-40F PER MIL-M-24519,
OR POLYESTER PER MIL-M-24519,
TYPE: GLCP-30F
COLOR: BLACK

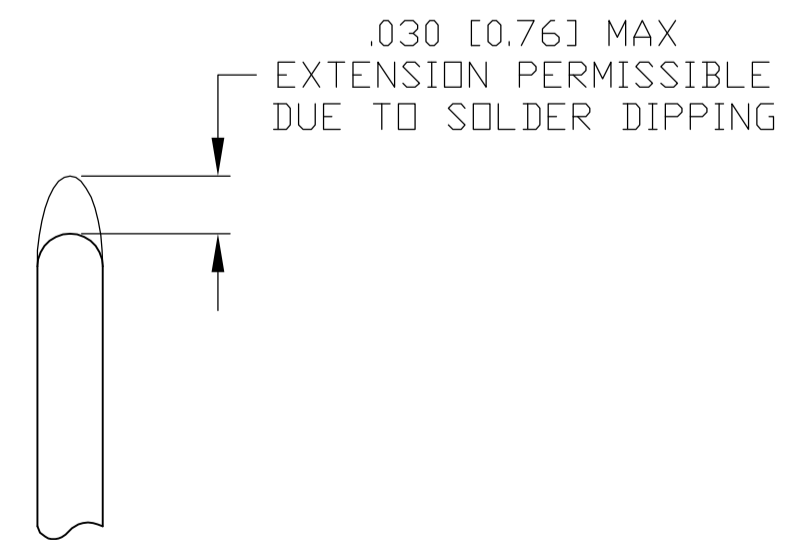
BRACKET
MAT'L: THERMOPLASTIC PER MIL-M-24519
TYPE GPT-30F, COLOR: BLACK



SHELL SIZES 1 THRU 4
CONTACT CONFIGURATION



SHELL SIZE 5 CONTACT
CONFIGURATION



DETAIL K
SCALE 10:1
FOR 1757844-6 THRU -10 ONLY

.544 [13.82]	2.188 [55.58]	.620 [15.75]	.428 [10.87]	2.411 [61.24]	2.069 [52.55]	2.650 [67.31]
.524 [13.31]	2.168 [55.07]	.590 [14.99]	.418 [10.62]	2.401 [60.99]	2.059 [52.30]	2.620 [66.55]
.432 [10.97]	2.282 [57.96]	.509 [12.93]	.316 [8.03]	2.505 [63.63]	2.164 [54.97]	2.744 [69.70]
.412 [10.46]	2.262 [57.45]	.479 [12.17]	.306 [7.77]	2.495 [63.37]	2.154 [54.71]	2.714 [68.94]
.432 [10.97]	1.635 [41.53]	.509 [12.93]	.316 [8.03]	1.857 [47.17]	1.516 [38.51]	2.103 [53.42]
.412 [10.46]	1.615 [41.02]	.479 [12.17]	.306 [7.77]	1.847 [46.91]	1.506 [38.25]	2.073 [52.65]
.432 [10.97]	1.093 [27.76]	.509 [12.93]	.316 [8.03]	1.317 [33.45]	.976 [24.79]	1.556 [39.52]
.412 [10.46]	1.073 [27.25]	.479 [12.17]	.306 [7.77]	1.307 [33.20]	.966 [24.54]	1.526 [38.76]
.432 [10.97]	.769 [19.53]	.509 [12.93]	.316 [8.03]	.989 [25.12]	.648 [16.46]	1.228 [31.19]
.412 [10.46]	.749 [19.02]	.479 [12.17]	.306 [7.77]	.979 [24.87]	.638 [16.21]	1.198 [30.43]
.544 [13.82]	2.188 [55.58]	.620 [15.75]	.428 [10.87]	2.411 [61.24]	2.069 [52.55]	2.650 [67.31]
.524 [13.31]	2.168 [55.07]	.590 [14.99]	.418 [10.62]	2.401 [60.99]	2.059 [52.30]	2.620 [66.55]
.432 [10.97]	2.282 [57.96]	.509 [12.93]	.316 [8.03]	2.505 [63.63]	2.164 [54.97]	2.744 [69.70]
.412 [10.46]	2.262 [57.45]	.479 [12.17]	.306 [7.77]	2.495 [63.37]	2.154 [54.71]	2.714 [68.94]
.432 [10.97]	1.635 [41.53]	.509 [12.93]	.316 [8.03]	1.857 [47.17]	1.516 [38.51]	2.103 [53.42]
.412 [10.46]	1.615 [41.02]	.479 [12.17]	.306 [7.77]	1.847 [46.91]	1.506 [38.25]	2.073 [52.65]
.432 [10.97]	1.093 [27.76]	.509 [12.93]	.316 [8.03]	1.317 [33.45]	.976 [24.79]	1.556 [39.52]
.412 [10.46]	1.073 [27.25]	.479 [12.17]	.306 [7.77]	1.307 [33.20]	.966 [24.54]	1.526 [38.76]
.432 [10.97]	.769 [19.53]	.509 [12.93]	.316 [8.03]	.989 [25.12]	.648 [16.46]	1.228 [31.19]
.412 [10.46]	.749 [19.02]	.479 [12.17]	.306 [7.77]	.979 [24.87]	.638 [16.21]	1.198 [30.43]

MS18277-1	50	5	M24308/23-47	1757844-5	1-1757844-0
MS18276-1	37	4	M24308/23-46	1757844-4	1757844-9
MS18275-1	25	3	M24308/23-45	1757844-3	1757844-8
MS18274-1	15	2	M24308/23-44	1757844-2	1757844-7
MS18273-1	9	1	M24308/23-43	1757844-1	1757844-6
MS18277-1	50	5	M24308/23-47	1757844-5	1757844-5
MS18276-1	37	4	M24308/23-46	1757844-4	1757844-4
MS18275-1	25	3	M24308/23-45	1757844-3	1757844-3
MS18274-1	15	2	M24308/23-44	1757844-2	1757844-2
MS18273-1	9	1	M24308/23-43	1757844-1	1757844-1

DIM J DIM H DIM E DIM D DIM C DIM B DIM A

INSERT ARRANGEMENT NO OF POS SHELL SIZE MILITARY P/N ON CONNECTOR TYCO P/N MARKED ON CONNECTOR TYCO PART NO.

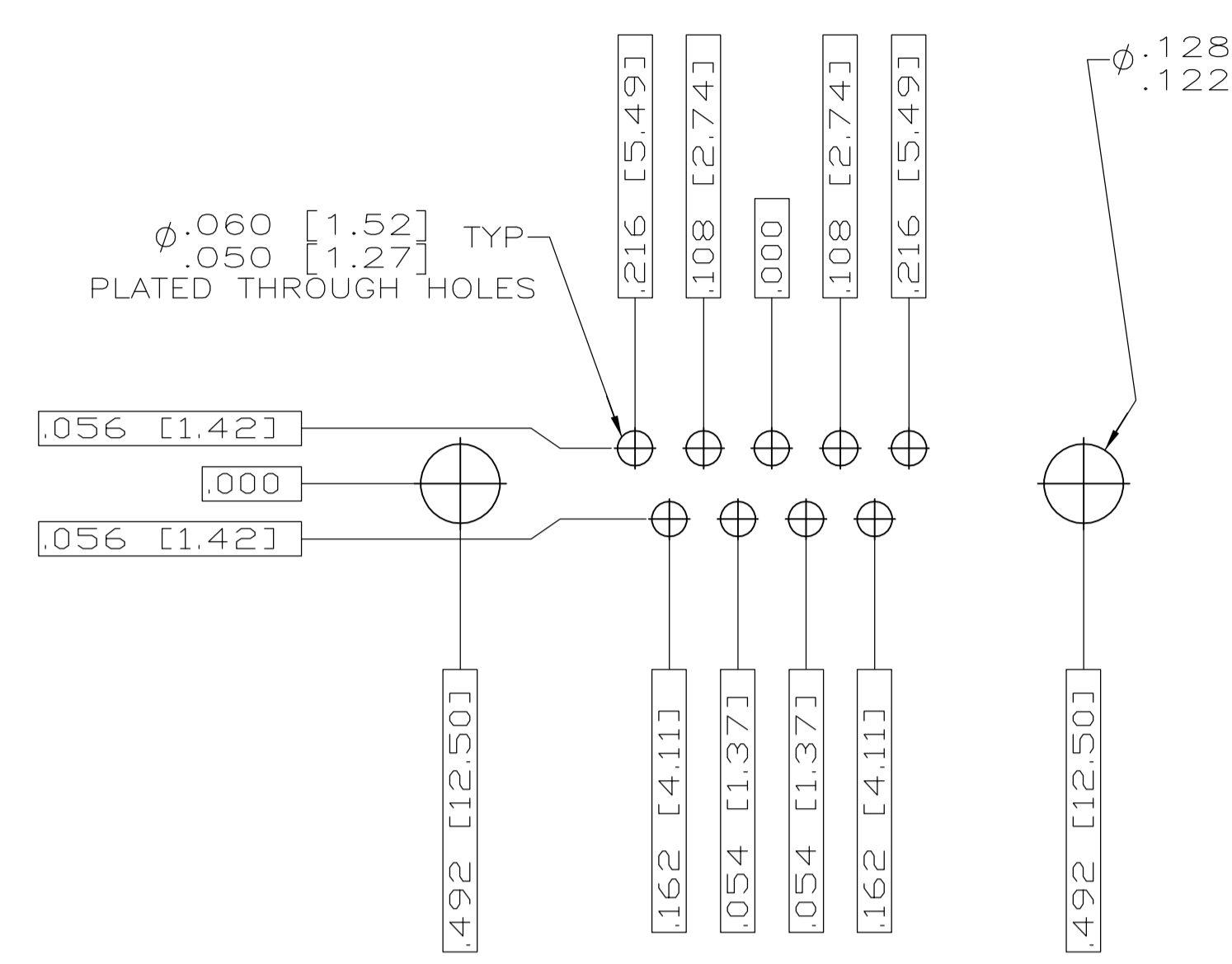
THIS DRAWING IS A CONTROLLED DOCUMENT.

APPROVED: C.C. THOMAS, 3-22-06
 CHK: D. MILLER, 3-27-06
 NAME: D. MILLER, 3-27-06

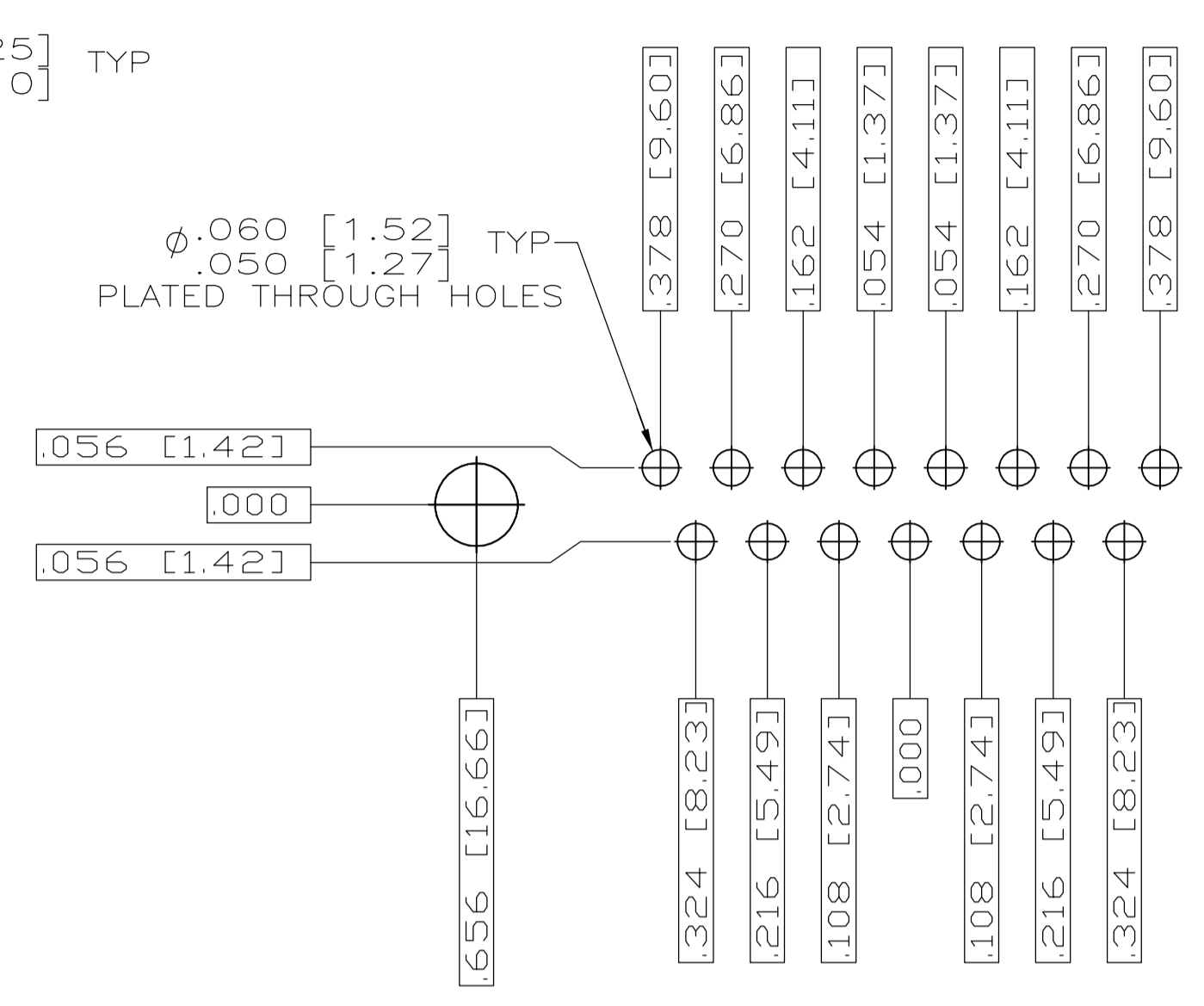
RECEPTACLE ASSEMBLY, AMP LITE, RT ANGLE, SERIES 109, SIZE 1 THRU 5

AMP Tyco Electronics Corporation
 Harrisburg, PA 17105-3608

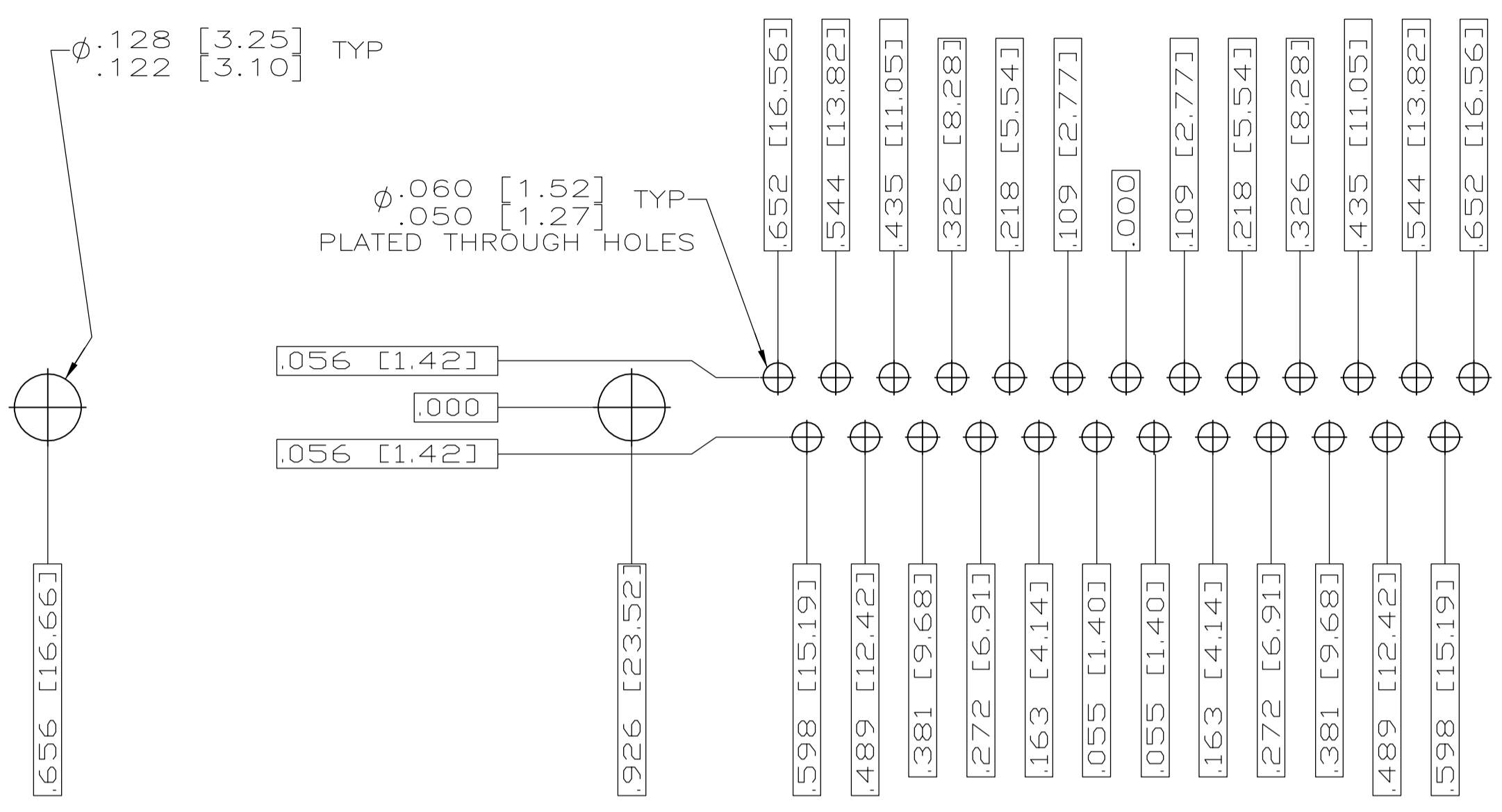
SCALE: 4:1 SHEET 1 OF 2 REV 0



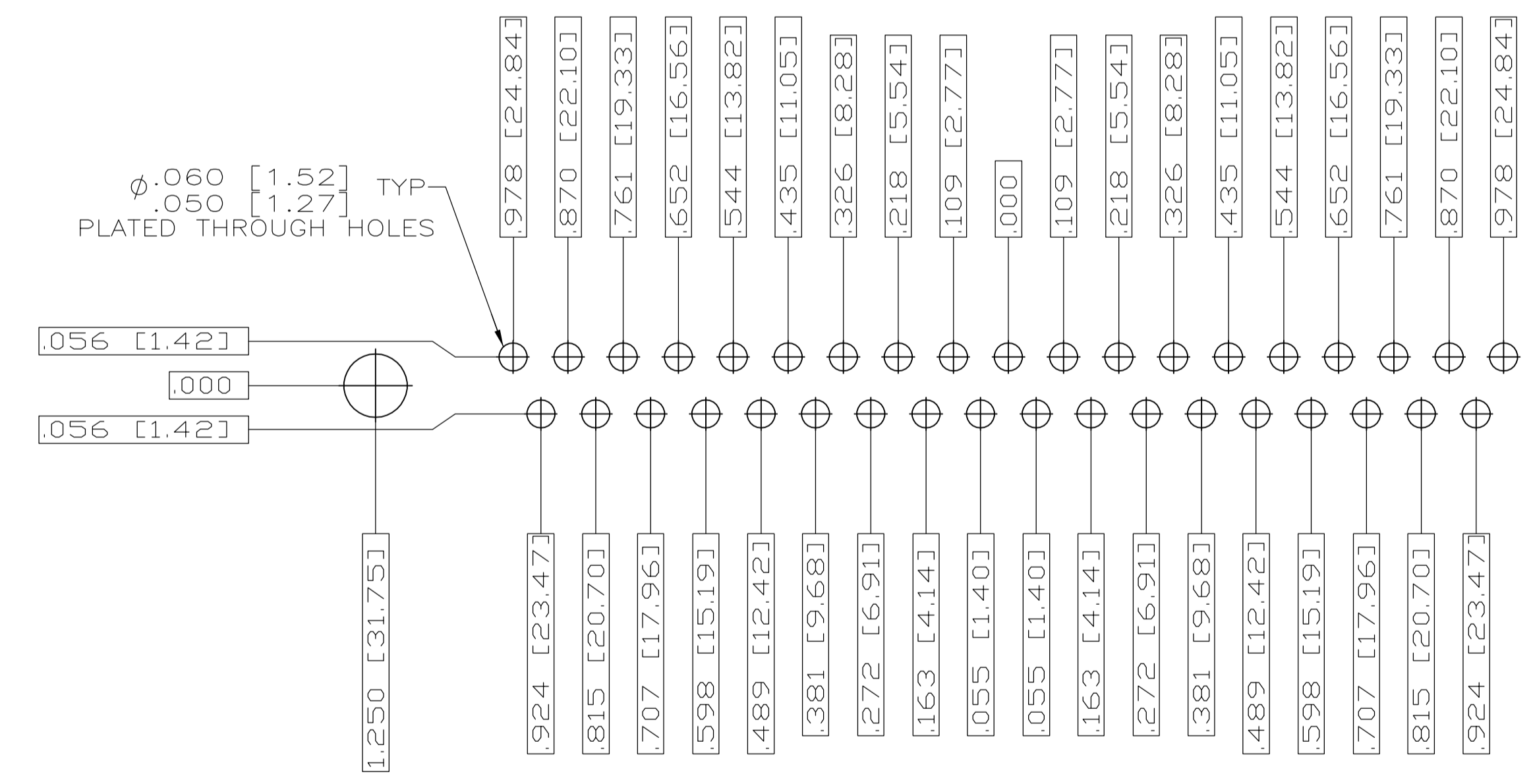
RECOMMENDED P.C. BOARD LAYOUT
SHELL SIZE 1 (9 POSITION) ⚠



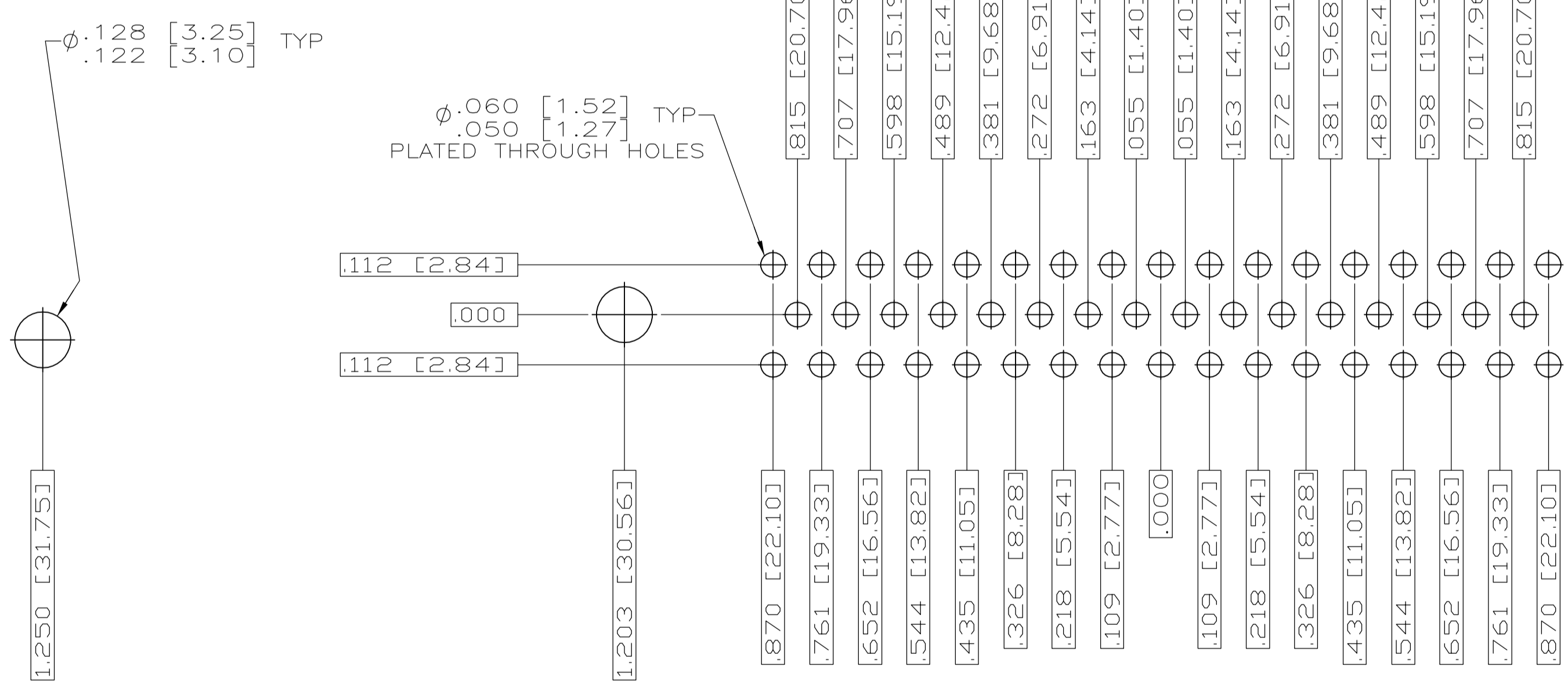
RECOMMENDED P.C. BOARD LAYOUT
SHELL SIZE 2 (15 POSITION) ⚠



RECOMMENDED P.C. BOARD LAYOUT
SHELL SIZE 3 (25 POSITION) ⚠



RECOMMENDED P.C. BOARD LAYOUT
SHELL SIZE 4 (37 POSITION) ⚠



RECOMMENDED P.C. BOARD LAYOUT
SHELL SIZE 5 (50 POSITION) ⚠

THIS DRAWING IS A CONTROLLED DOCUMENT.		DWG	C.C.THOMAS	3-22-06	Tyco Electronics Corporation Harrisburg, PA 17105-3608
DIMENSIONS: INCHES		CHK	D.HOFFMAN	3-27-06	
TOLERANCES UNLESS OTHERWISE SPECIFIED:		APVD	D.MILLER	3-27-06	NAME
0 PL	± .005	PRODUCT SPEC			RECEPTACLE ASSEMBLY,AMPLIMITE RIGHT ANGLE,SERIES 109,SIZE 1 THRU 5
1 PL	± .005	APPLICATION SPEC			
2 PL	± .005	SIZE	A1	CAGE CODE	00779
3 PL	± .005	WEIGHT	DRAWING NO		1757844
4 PL	± .005	CUSTOMER DRAWING		SCALE	4:1
ANGLES	± .005	SHEET		2	OF 2
FINISH	SEE CALLOUTS	REV		0	