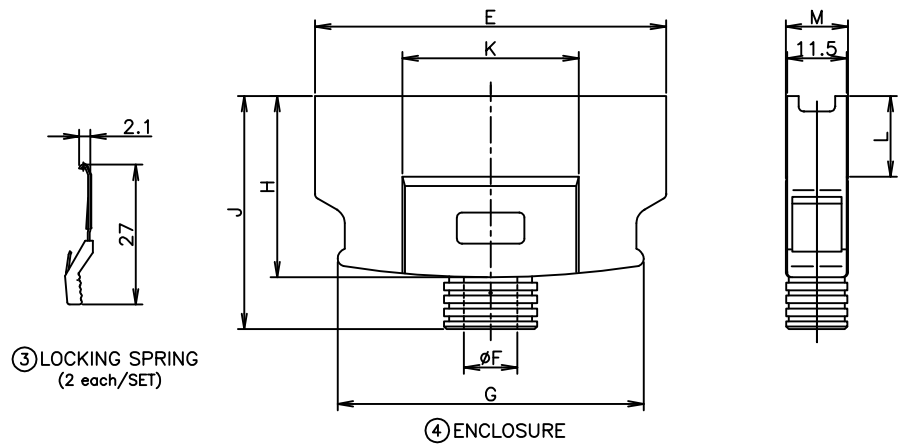
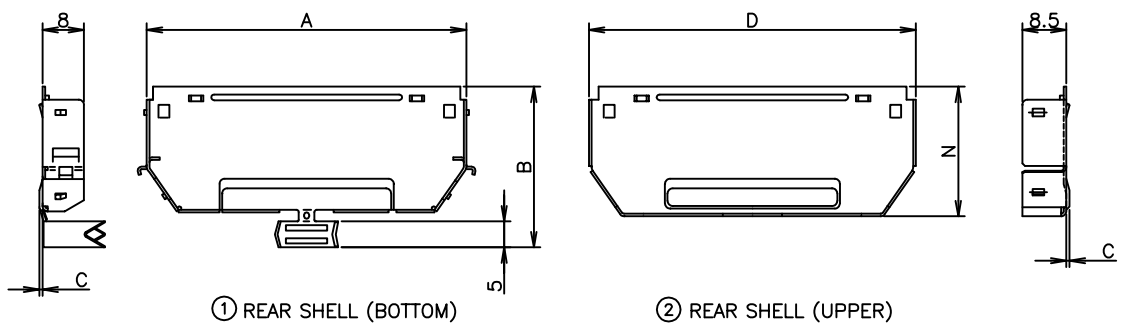


LOC	DIST	REVISIONS					
J		P	LTR	DESCRIPTION	DATE	DWN	APVD
		E		REVISED ECR-06-008475	10APR06	W.H	T.K



GENERAL TOLERANCE  
 10 ≥ : ±0.2  
 30 ≥ > 10: ±0.25  
 100 ≥ > 30: ±0.3  
 ANGLES ±3°

ITEM	MATERIAL	FINISH
①②	STEEL t=0.5	NICKEL PL. OVER COPPER PL.
③	STAINLESS STEEL	
④	G.F THERMOPLASTIC UL94V-0	COLOR:SEE ANOTHER TABLE

RECOMMENDED CABLE DIA.	COLOR	POSN	P/NO.
8.5~10.2	▲	80	3-176793-0
9.9~11.0		100	2-▲-9
8.1~9.6		68	2-▲-8
7.2~8.5		50	2-▲-7
6.4~7.9		36	2-▲-5
5.9~6.9		26	2-▲-4
5.4~6.5		20	2-▲-2
4.3~6.1	BLACK	14	2-176793-1
8.5~10.2	▲	80	1-176793-0
9.9~11.0		100	▲-9
8.1~9.6		68	▲-8
7.2~8.5		50	▲-7
6.4~7.9		36	▲-5
5.9~6.9		26	▲-4
5.4~6.5		20	▲-2
4.3~6.1	BEIGE WHITE	14	176793-1

1- -0; AS SHOWN

80	61.80	31	0.6	63.10	67.75	10.3	59.05	35	45	34	15.6	11.8	25
100	74.50	33	1.3	75.80	80.45	11.2	71.75	37	47	38	12.5	13.5	27
68	54.18	28	0.6	55.48	60.13	9.8	51.43	32	42	30	14.3	12.0	22
50	42.75	28	*	44.05	48.70	8.7	40.00	32	42	13	*	11.5	22
36	33.86	28	*	35.16	39.81	8.1	31.11	32	42	13	*	11.5	22
26	27.51	28	*	28.81	33.46	7.1	24.76	32	42	13	*	11.5	22
20	23.70	28	*	25.00	29.65	6.7	20.95	32	42	13	*	11.5	22
14	19.89	28	*	21.19	25.84	6.3	17.14	32	42	13	*	11.5	22
POSN	A	B	C	D	E	F	G	H	J	K	L	M	N

THIS DRAWING IS A CONTROLLED DOCUMENT.

DIMENSIONS: mm

TOLERANCES UNLESS OTHERWISE SPECIFIED:

0 PLC ±  
 1 PLC ±  
 2 PLC ±  
 3 PLC ±  
 4 PLC ±  
 ANGLES ±

MATERIAL SEE TABLE

FINISH SEE TABLE

DWN T.KAWAMAE 10OCT00  
 CHK H.MURAMATSU 11OCT00  
 APVD H.MURAMATSU 11OCT00

NAME SHIELD CASE KIT WITHOUT LOGO CHAMP.050 SERIES II STD-TYPE

PRODUCT SPEC 108-5288

APPLICATION SPEC 114-5166

WEIGHT A3 00779

SCALE 1:1 SHEET 1 OF 1 REV E

Tyco Electronics AMP K.K. Kawasaki, Japan

RESTRICTED TO