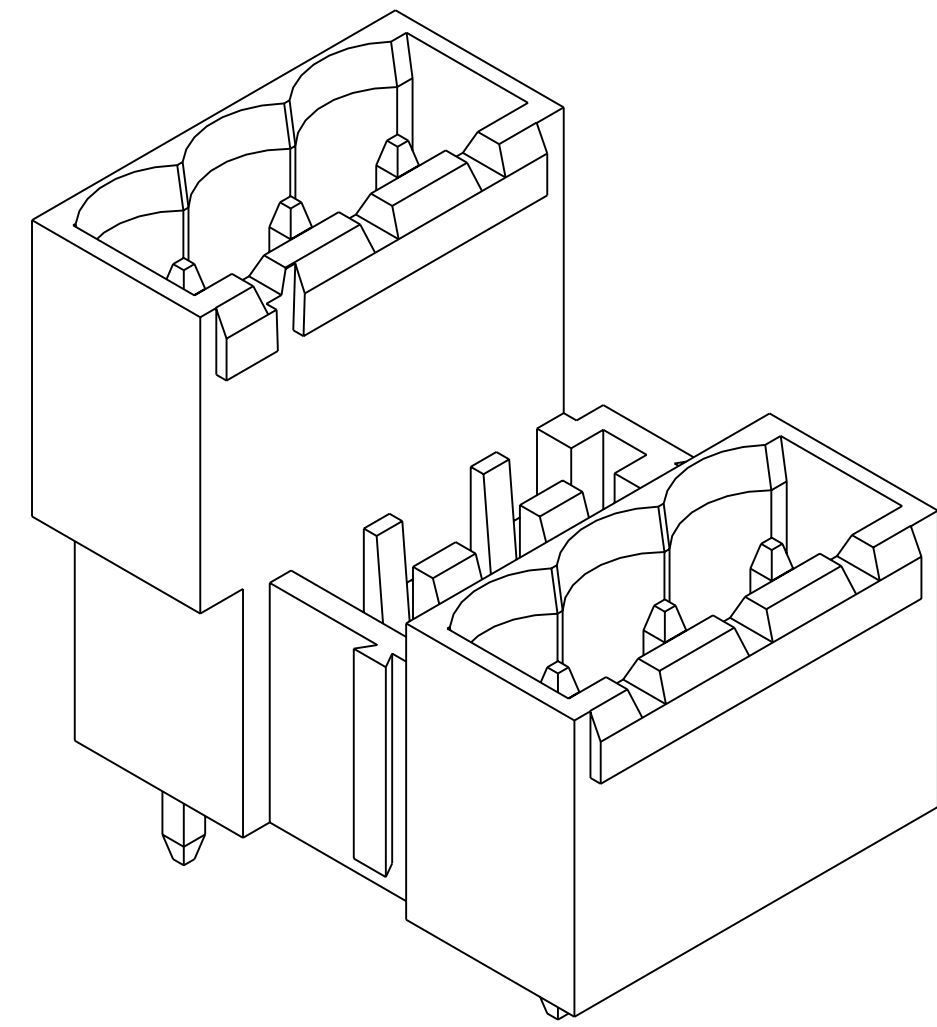
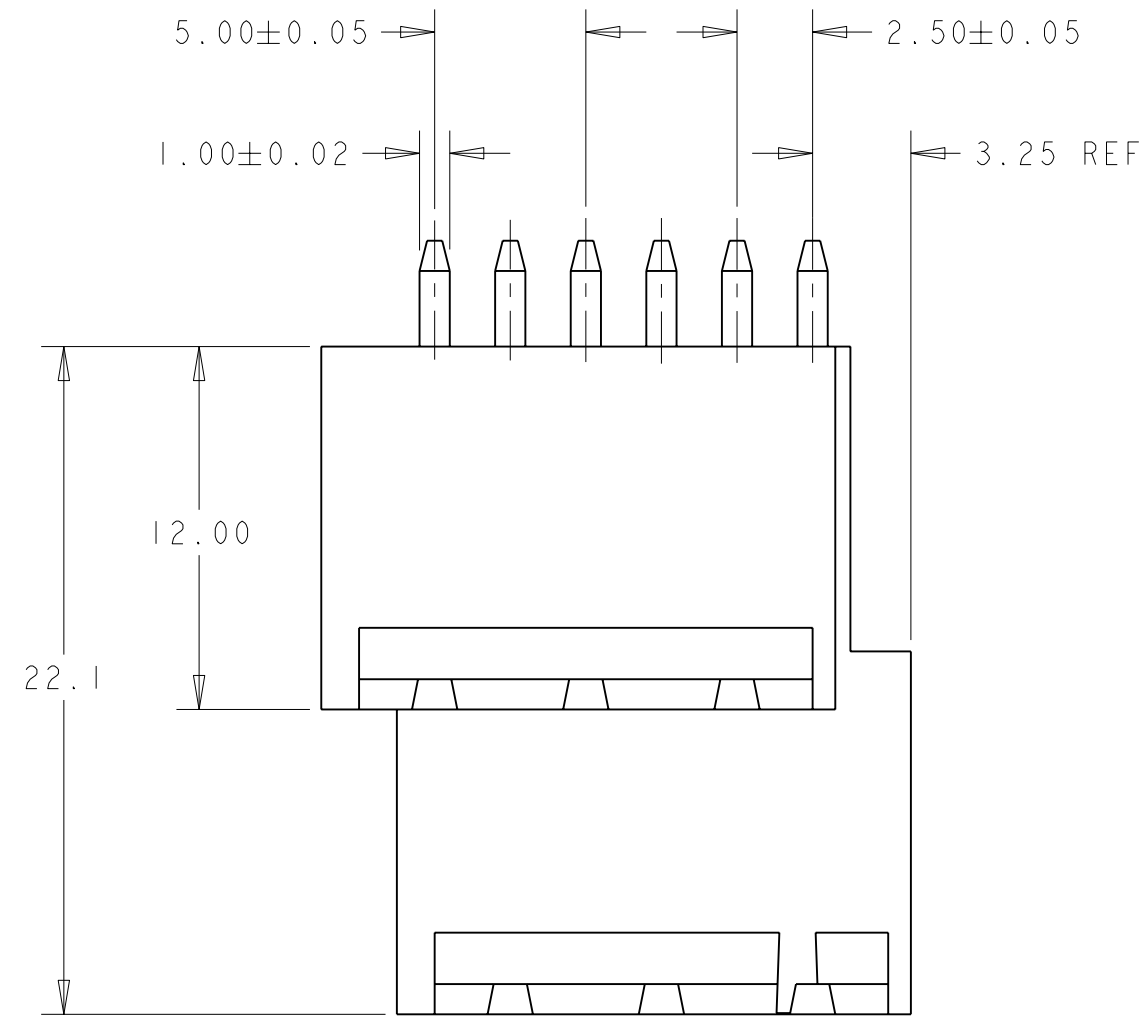


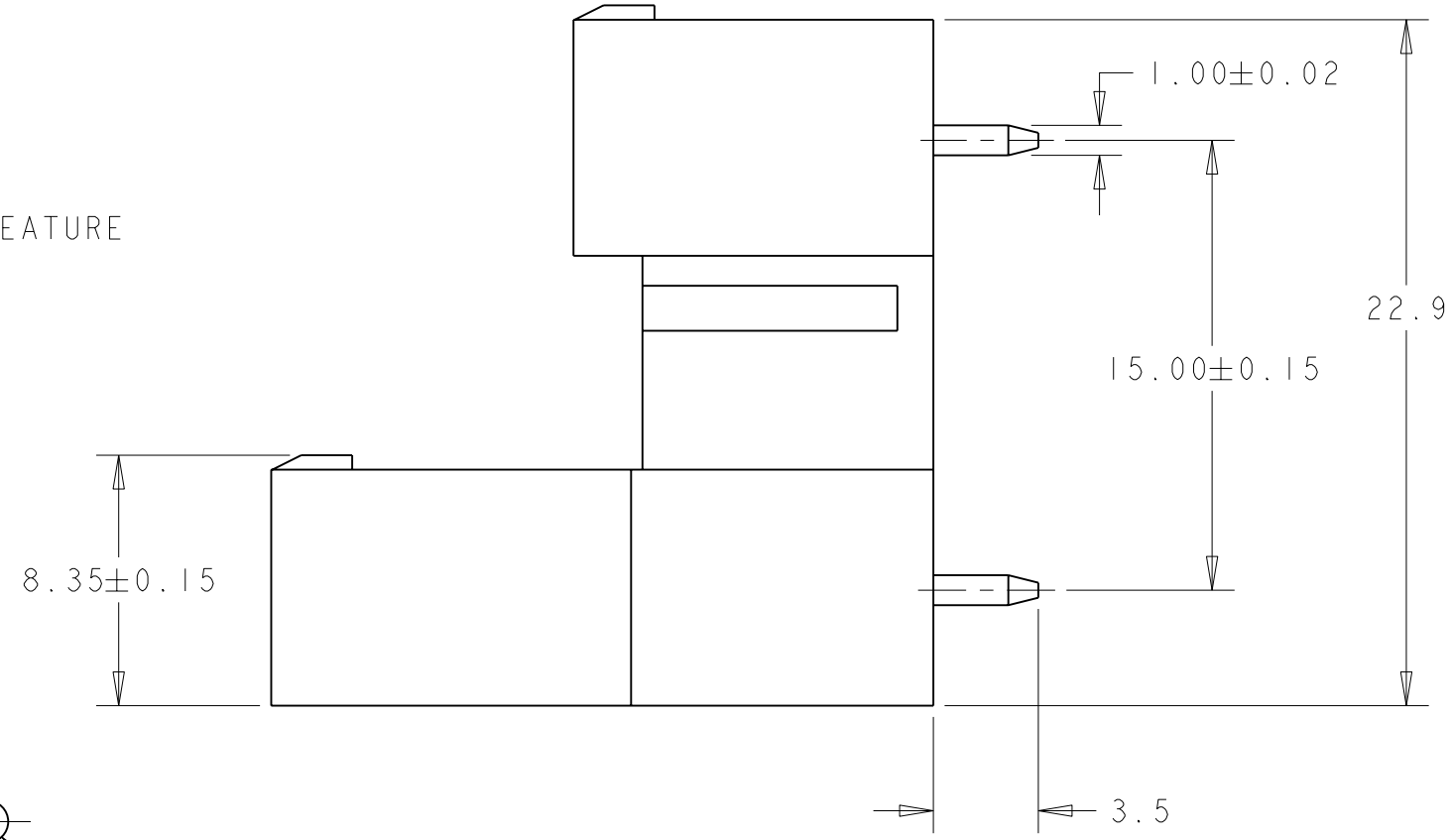
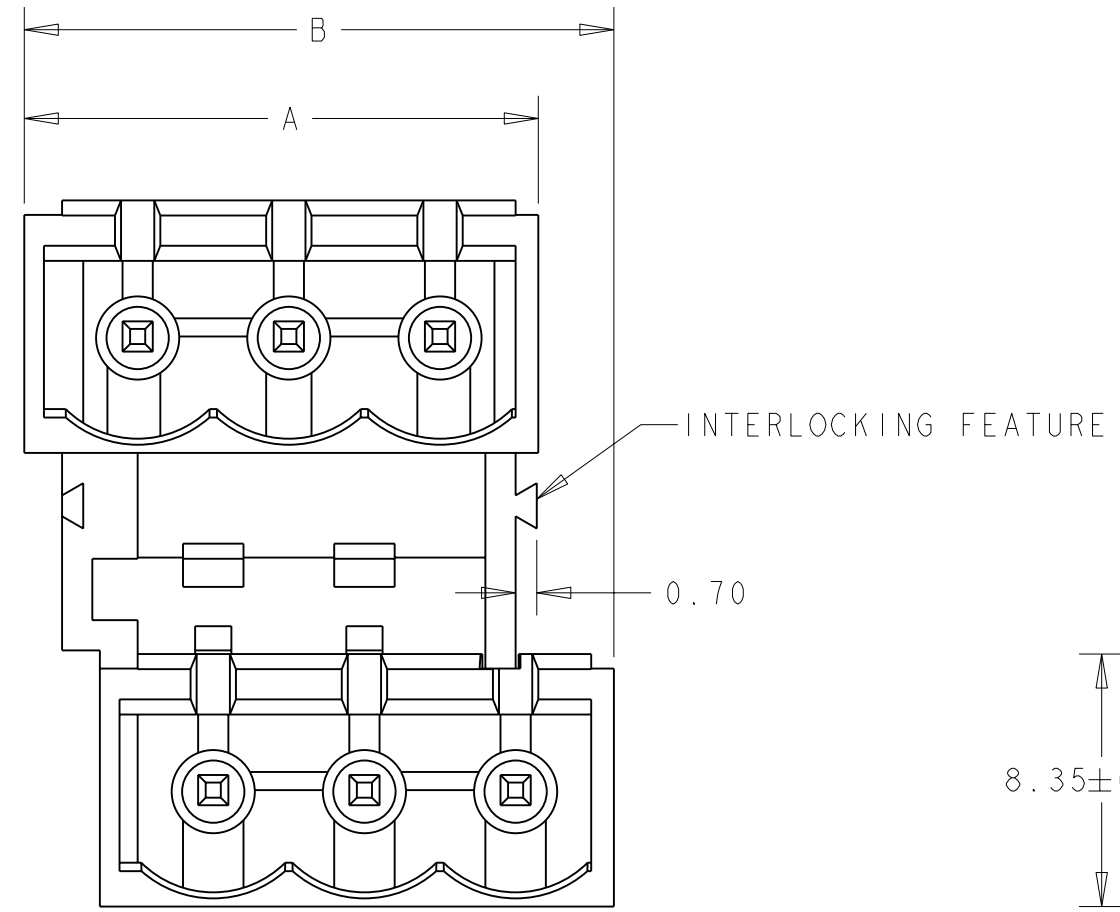
THIS DRAWING IS UNPUBLISHED. RELEASED FOR PUBLICATION 20
 © COPYRIGHT 20 BY TYCO ELECTRONICS CORPORATION. ALL RIGHTS RESERVED.

LOC		DIST		REVISIONS			
P	LTR	DESCRIPTION	DATE	DWN	APVD		
	0	RELEASED EC 0G3B-0612-04	12JUL2005	SW	CR		

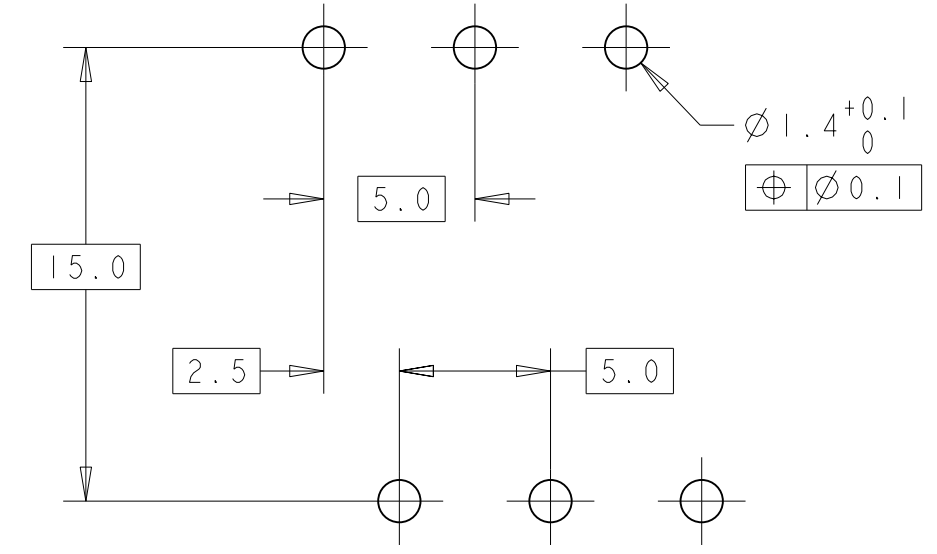


1. MATERIALS AND FINISH
 HOUSING: HIGH TEMPERATURE POLYAMIDE, UL 94V-0 RATED, COLOR: BLACK.
 TERMINAL: PHOSPHOR BRONZE, TIN PLATED.
2. SUITABLE FOR 1,6-2,4mm PC BOARD THICKNESS.
3. P/N FROM 1776164-4 TO 1776164-8 ARE OBTAINED BY ASSEMBLING 1776164-2 AND 1776164-3 TO ACHIEVE THE DESIRED NUMBER OF POSITIONS.

1776164-3 AS SHOWN



B	A	NO OF POSN	PART NUMBER
44.5	42.0	8	1776164-8
39.5	37.0	7	1776164-7
34.5	32.0	6	1776164-6
29.5	27.0	5	1776164-5
24.5	22.0	4	1776164-4
19.5	17.0	3	1776164-3
14.5	12.0	2	1776164-2



RECOMMENDED PC BOARD LAYOUT

<small>THIS DRAWING IS A CONTROLLED DOCUMENT FOR TYCO ELECTRONICS CORPORATION. IT IS SUBJECT TO CHANGE AND THE CONTROLLING ENGINEERING ORGANIZATION SHOULD BE CONTACTED FOR THE LATEST REVISION.</small>		DWN S. WELDON 2JUL2005 CHK C. RICHARD 2JUL2005 APVD C. RICHARD 2JUL2005	BUCHANAN Tyco Electronics Harrisburg, PA 17105-3608
DIMENSIONS: mm 	TOLERANCES UNLESS OTHERWISE SPECIFIED: 0 PLC ±.3 1 PLC ±.3 2 PLC ±.25 3 PLC ±. 4 PLC ±. ANGLES ±2	PRODUCT SPEC - APPLICATION SPEC - WEIGHT -	NAME TERMINAL BLOCK HEADER ASSEMBLY, MULTIPLE, 180 DEGREE, CLOSED ENDS, 5.00mm PITCH SIZE A2 CAGE CODE 00779 DRAWING NO C=1776164 RESTRICTED TO -
MATERIAL - FINISH -		CUSTOMER DRAWING SCALE 4:1 SHEET 1 OF 1 REV 0	