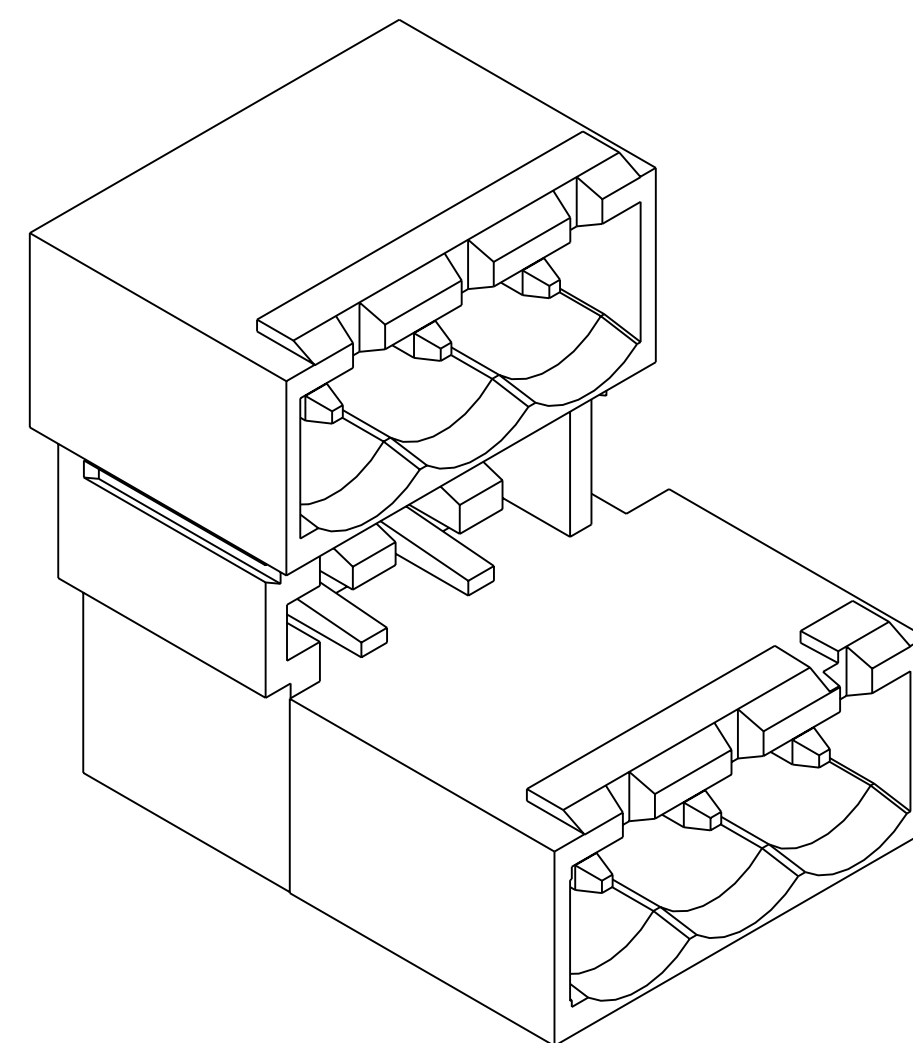
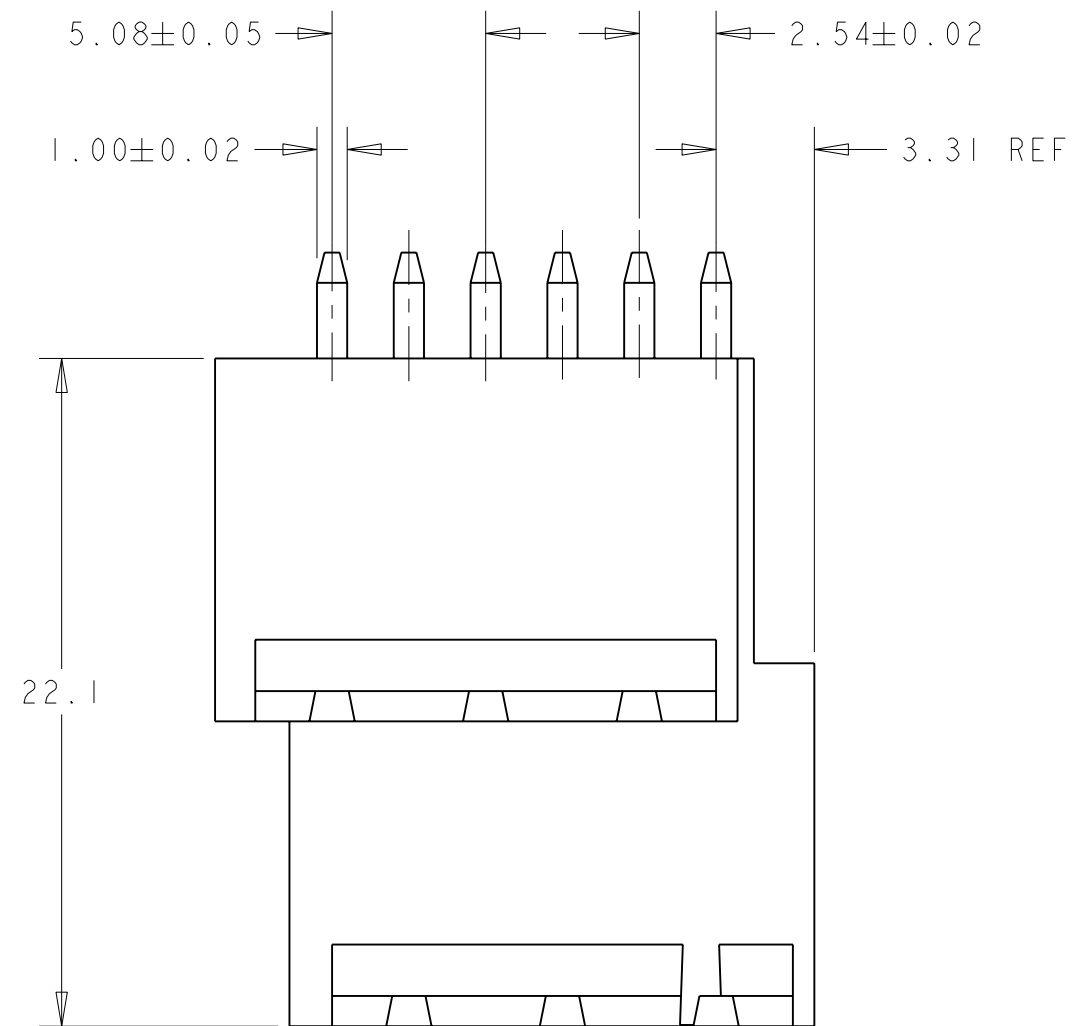


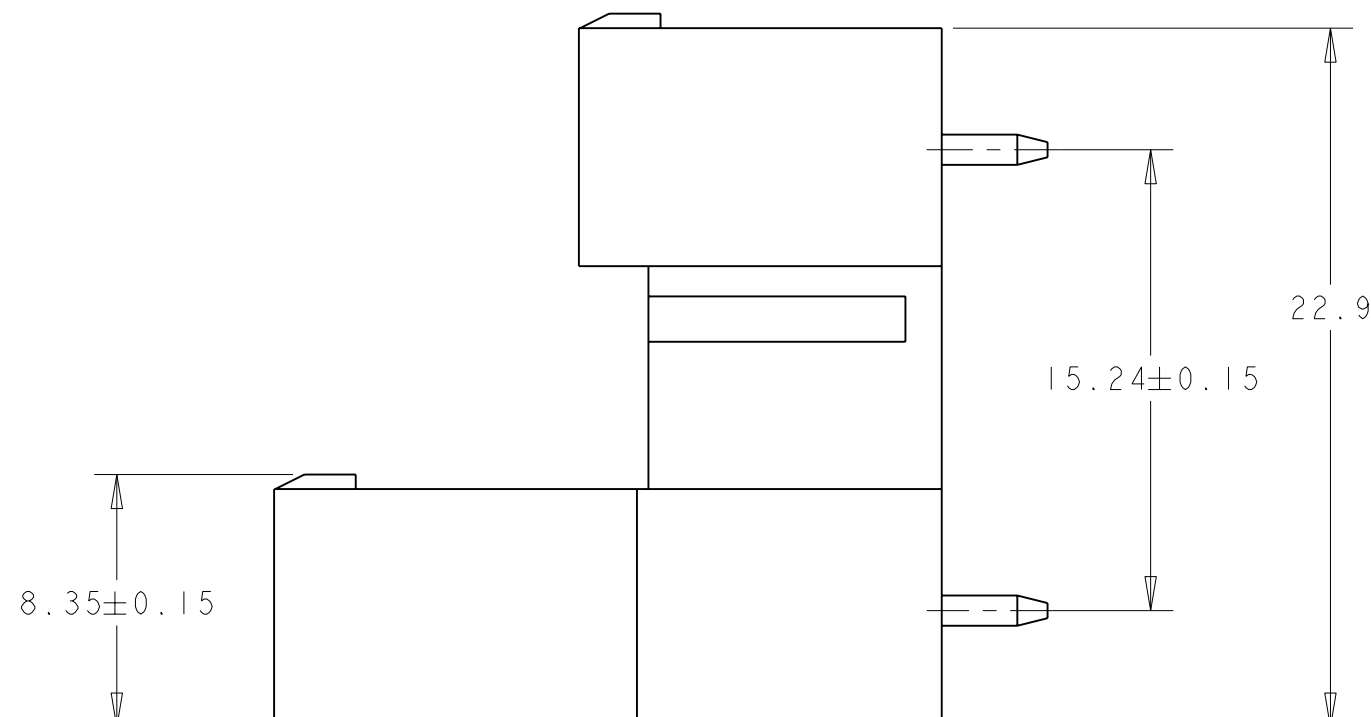
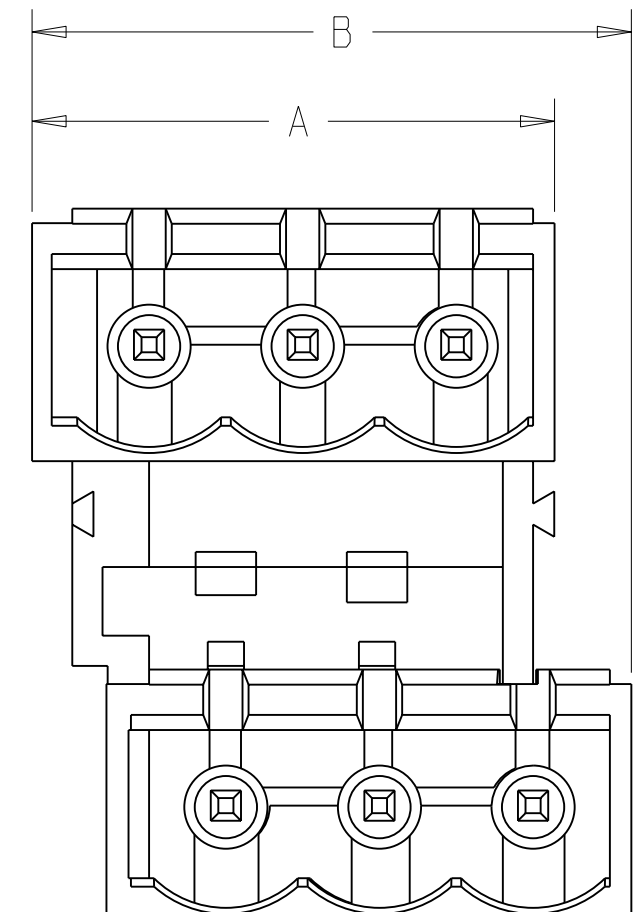
THIS DRAWING IS UNPUBLISHED. RELEASED FOR PUBLICATION 20  
 © COPYRIGHT 20 BY TYCO ELECTRONICS CORPORATION. ALL RIGHTS RESERVED.

LOC		DIST		REVISIONS			
P	LTR	DESCRIPTION	DATE	DWN	APVD		
		0	RELEASED EC 0G3B-0612-04	01AUG2005	SW	CR	

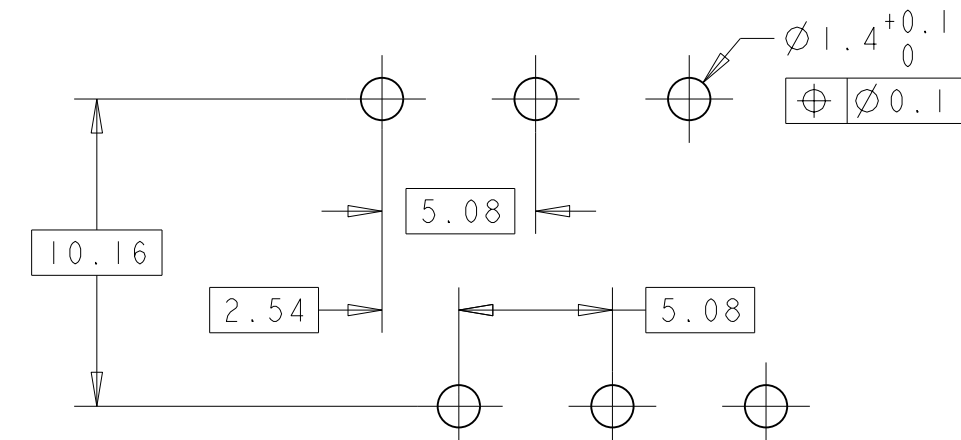


1. MATERIALS AND FINISH  
 HOUSING: HIGH TEMPERATURE POLYAMIDE, UL 94V-0 RATED, COLOR: BLACK.  
 TERMINAL: PHOSPHOR BRONZE, TIN PLATED.
2. SUITABLE FOR 1,6-2,4mm PC BOARD THICKNESS.
3. P/N FROM 1776165-4 TO 1776165-8 ARE OBTAINED BY ASSEMBLING 1776165-2 AND 1776165-3 TO ACHIEVE THE DESIRED NUMBER OF POSITIONS.

1776165-3 AS SHOWN



B	A	NO OF POSN	PART NUMBER
45.22	42.68	8	1776165-8
40.14	37.60	7	1776165-7
35.06	32.52	6	1776165-6
29.98	27.44	5	1776165-5
24.90	22.36	4	1776165-4
19.82	17.28	3	1776165-3
14.74	12.20	2	1776165-2



RECOMMENDED PC BOARD LAYOUT

THIS DRAWING IS A CONTROLLED DOCUMENT FOR TYCO ELECTRONICS CORPORATION. IT IS SUBJECT TO CHANGE AND THE CONTROLLING ENGINEERING ORGANIZATION SHOULD BE CONTACTED FOR THE LATEST REVISION.

DIMENSIONS:	TOLERANCES UNLESS OTHERWISE SPECIFIED:	DWN	01AUG2005	<b>BUCHANAN</b> Tyco Electronics Harrisburg, PA 17105-3608
mm	0 PLC ±.3	CHK	01AUG2005	
	1 PLC ±.25	APVD	01AUG2005	
	2 PLC ±.25	PRODUCT SPEC		
	3 PLC ±.	APPLICATION SPEC		NAME
	4 PLC ±.			TERMINAL BLOCK HEADER ASSEMBLY, MULTIPLE, 180 DEGREE, CLOSED ENDS, 5.08mm PITCH
	ANGLES ±2			SIZE
MATERIAL	FINISH	WEIGHT		A200779
				C=1776165
				RESTRICTED TO
				CUSTOMER DRAWING
				SCALE 4:1
				SHEET 1 OF 1
				REV 0