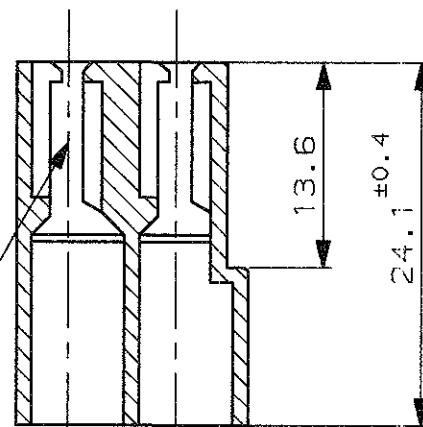
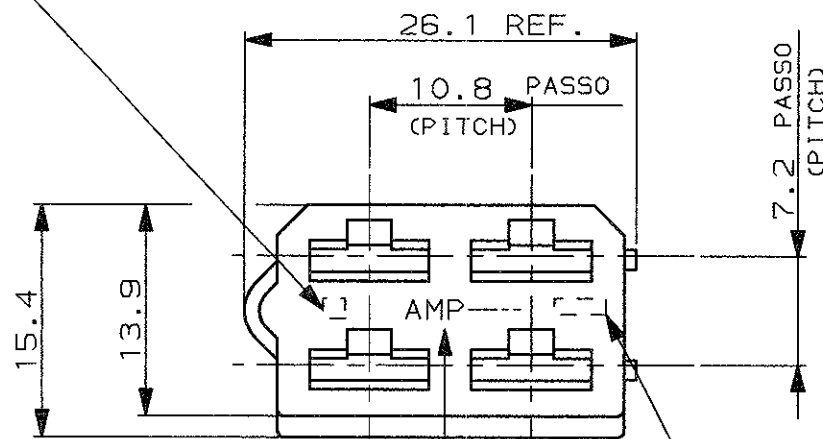


SEZIONE A-A
(SECTION A-A)



TIPICA CAVITA' PER TERMINALE AMP
FASTIN-FASTON SR. 6.35mm.
(TYPICAL CAVITY FOR AMP
FASTIN-FASTON .250 SR.)

NUMERO DI IMPRONTA STAMPO, FACOLTATIVO
(MOULD CAVITY IDENTIFICATION NO., OPTIONAL)



MARCHIO DI FABBRICA
(AMP TRADE MARK)

CODICE AMP, FACOLTATIVO
(AMP PART NUMBER, OPTIONAL)

- 1 PRODOTTO SOLO PER AMP GIAPPONE.
(RESTRICTED FOR AMP JAPAN).
- 2 NON PRODOTTO DALL'AMP ITALIA.
(NOT PRODUCED BY AMP ITALY).
- 3 OBSOLETE PARTS: OBSOLETE CIS STREAMLINING
PER D.RENAUD/D.SINISI

	NOTE (NOTES)	COLORE (COLOUR)	MATERIALE (MATERIAL)	NUMERO (PART NUMBER)
OBSOLETE	1	NEUTRO (CLEAR)	PA 6.6 (PA 6.6 UNFILLED)	9-180900-0
	2	NERO (BLACK)	PA 6.6 UL 94 V-0 (PA 6.6 F.R. 94 V-0)	5-180900-0
	2	NERO (BLACK)	PA 6.6 (PA 6.6 UNFILLED)	4-180900-0
OBSOLETE	2	NERO (BLACK)	PA 6.6 (PA 6.6 UNFILLED)	3-180900-0
	2	ROSSO (RED)	PP	2-180900-0
	2	NEUTRO (CLEAR)	ABS	1-180900-0
OBSOLETE	3	GRIGIO (GRAY)	PA 6.6 (PA 6.6 UNFILLED)	180900-7
		NERO (BLACK)		180900-5
	2	VERDE (GREEN)		180900-2
OBSOLETE		ROSSO (RED)	PA 6.6 (PA 6.6 UNFILLED)	180900-1
		NEUTRO (CLEAR)		180900-0

REV.	REVISIONI (REVISION RECORD)	DIS. DATA (DR) (DATE)	APP. (APP.)	LOC. (LOC.)	SIZE (SIZE)	NUMERO (DWG NO)	REV.	FOGLIO (SHEET)
AZ3	REV PER ECO-10-000445	KK 03 JAN 10	ANGOLI (ANGLES) ± 2°	I	A3	C-180900	AZ3	1 DI (OF) 1
AZ2	ADED VIEW ET00-0098-02	HY 20 SEP 2002	DIS. A. MORETTI (DR.) 1 FEB '80	CUSTOMER DWG. FOR REFERENCE ONLY DISEGNO PER CLIENTE SOLO PER RIFERIMENTO THIS DRAWING IS UNPUBLISHED. RELEASE FOR PUBLICATION 19 © COPYRIGHT 19 BY AMP INCORPORATED, HARRISBURG, PA. ALL INTERNATIONAL RIGHT RESERVED. AMP PRODUCTS MAY BE COVERED BY U.S. AND FOREIGN PATENT AND/OR PATENT PENDING TOLLERANZE; SE NON DIVERSAMENTE SPECIFICATO (TOLERANCES, UNLESS OTHERWISE SPECIFIED) ±0.3 DIAM. ISOLANTE (INS. DIA. RANGE) / RANGO FILO (WIRE RANGE) / SCALA (SCALE) 2:1 tyco Electronics AMP ITALIA S.p.A. Corso F. LUI Corvi, 15 COLLEGNO (TORINO)				
AZ1	REVISED AND REDRAWN FOR ET00-0067-98	M.P. 11-3 C.T. '98	CONT. R. ROGGERO (CHK) 4 FEB '80	DESCRIZIONE (DESCRIPTION) 4 WAY FASTIN-FASTON RECEPTACLE HOUSING .250 Sr. LOC. SIZE NUMERO (DWG NO) I A3 C-180900 REV. FOGLIO (SHEET) AZ3 1 DI (OF) 1				