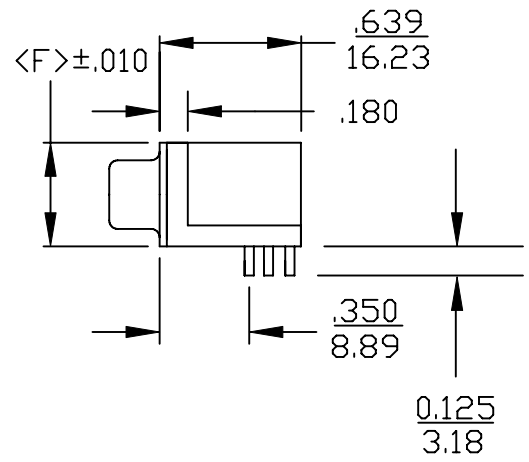
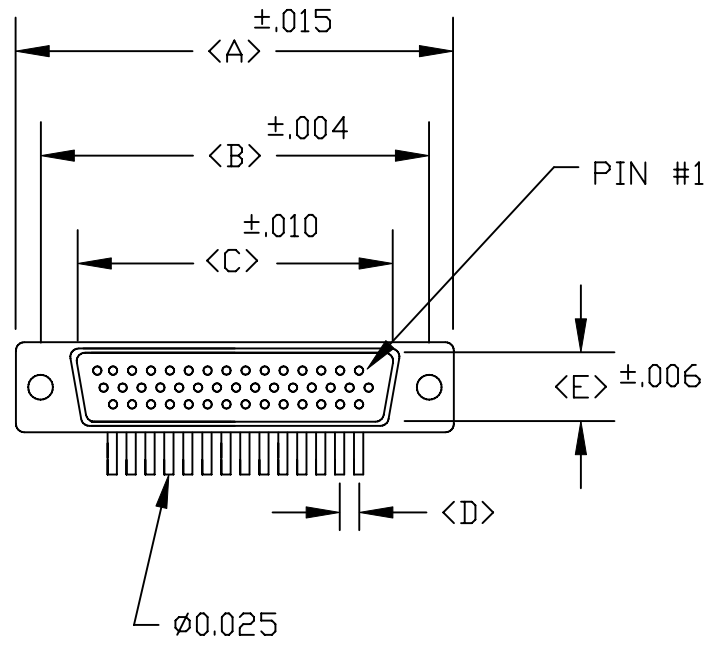


DESCRIPTION: HIGH DENSITY FEMALE RIGHT ANGLE

| DIMENSIONS (IN.) | | | | | | |
|------------------|-------|-------|-------|-------|-------|-------|
| No. OF PINS | A | B | C | D | E | F |
| 15 | 1.213 | 0.984 | 0.644 | 0.090 | 0.311 | 0.496 |
| | 30.80 | 24.99 | 16.34 | 2.29 | 7.90 | 12.60 |
| 26 | 1.543 | 1.312 | 0.966 | 0.090 | 0.311 | 0.496 |
| | 39.19 | 33.32 | 24.53 | 2.29 | 7.90 | 12.60 |
| 44 | 2.087 | 1.852 | 1.512 | 0.090 | 0.311 | 0.496 |
| | 53.00 | 47.04 | 38.40 | 2.29 | 7.90 | 12.60 |
| 62 | 2.732 | 2.500 | 2.156 | 0.095 | 0.311 | 0.496 |
| | 69.30 | 63.50 | 54.76 | 2.41 | 7.90 | 12.60 |
| 78 | 2.644 | 2.406 | 2.063 | 0.095 | 0.311 | 0.496 |
| | 67.16 | 61.11 | 52.40 | 2.41 | 7.90 | 12.60 |



181-YYY-213RYY1

SERIES _____

POSITIONS _____

015 _____

026 _____

044 _____

062 _____

GENDER _____

2 = FEMALE

TERMINATION _____

1 = DIP SOLDER

SHELL PLATING _____

3 = NICKEL

HARDWARE OPTIONS _____

00 = NO HARDWARE

16 = .120Ø/INSIDE GRND STRAPS

17 = 4-40 INSERTS/INSIDE GRND STRAPS

18 = 4-40 SCREWLOCKS/INSIDE GRND STRAPS

43 = .120Ø/METAL SHELL

45 = 4-40 INSERTS/METAL SHELL

48 = 4-40 SCREWLOCKS/METAL SHELL

53 = 4-40 INSERTS/BOARDLOCKS

56 = 4-40 SCREWLOCK/BOARDLOCKS

PLATING OPTIONS _____

1 = GOLD FLASH ENTIRE CONTACT

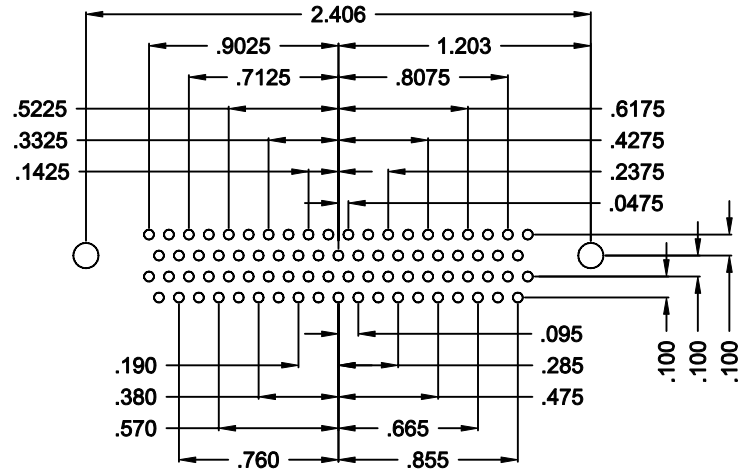
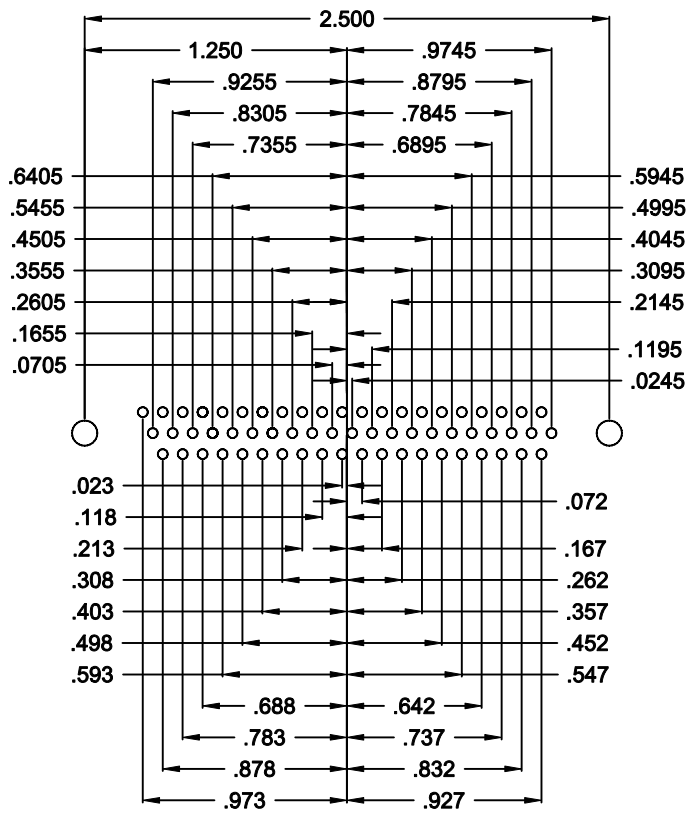
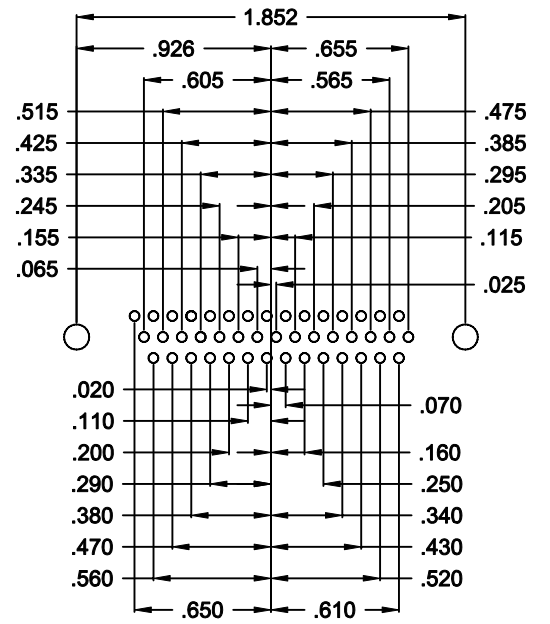
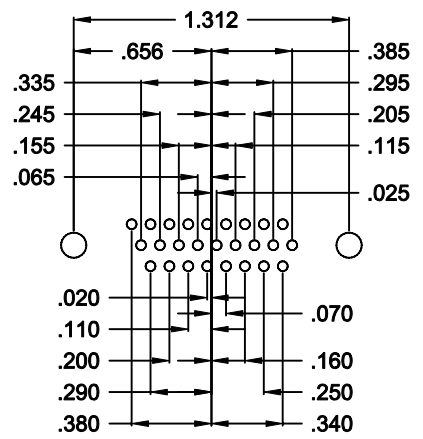
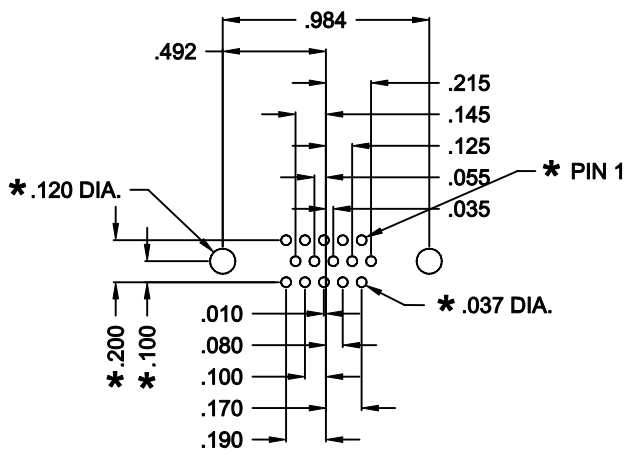
2 = 30u" GOLD

ELECTRICALS:
 CURRENT RATING: 2 AMPS
 CONTACT RESISTANCE: 15 mOHMS MAX.
 INSULATOR RESISTANCE: 1000MOHMS MIN.
 VOLTAGE: 500V FOR 1 MINUTE
 TEMPERATURE: -50°C TO +100°C

MATERIALS:
 SHELL: STEEL, NICKEL PLATED
 INSULATOR: NYLON 9T- BLACK (UL-94-VO)
 260° PROCESS TEMP.
 CONTACT: BRASS, GOLD ENTIRE CONTACT

| | | | | |
|------------------|---|--------------------------------|------------------------------|-------------------------|
| | THESE DRAWINGS AND SPECIFICATIONS ARE THE PROPERTY OF NorComp AND SHALL NOT BE REPRODUCED, COPIED OR USED AS THE BASIS FOR THE MANUFACTURE OR SALE OF APPARATUS WITHOUT WRITTEN PERMISSION. | | DRAWN: PAM JENKINS | DATE: 3-15-05 |
| | | | CHECKED: | DATE: |
| <h1>NorComp</h1> | | SCALE: | SHEET 1 OF 3 | REV 7 |
| | | DWG NO. 181-YYY-213RYY1 | | |

RoHS COMPLIANT



**181 SERIES
HIGH DENSITY
RIGHT ANGLE**

**HOLE PATTERN SHOWN
ARE FOR FEMALE**

*** TYP. ON ALL SIZES**

DO NOT SCALE FROM DRAWING

| | | | | |
|----------------|---|--------------------------------|----------------------------------|--------------------------|
| | THESE DRAWINGS AND SPECIFICATIONS ARE THE PROPERTY OF NorComp AND SHALL NOT BE REPRODUCED, COPIED OR USED AS THE BASIS FOR THE MANUFACTURE OF SALE OF APPARATUS WITHOUT WRITTEN PERMISSION. | | DRAWN: C. SMITH | DATE: 03-09-06 |
| | | | CHECKED: | DATE: |
| NorComp | | SCALE: FULL | SHEET 2 OF 3 | REV 7 |
| | | DWG NO. 181-YYY-213RYY1 | | |

| | | | |
|---|---|--------------------|-------------------------------------|
| | <p>0.141± .020</p> <p>METAL SHELL WITH INSIDE GROUND STRAPS</p> | <p>METAL SHELL</p> | <p>METAL SHELL FORK BOARD LOCKS</p> |
| <p>.120" DIA. HOLE</p> | 16 | 43 | N/A |
| <p>4-40 FLUSH INSERT</p> | 17 | 45 | 53 BOARD LOCKS IN FRONT HOLE |
| <p>4-40 HEX STANDOFF FEMALE SCREWLOCK</p> | 18 | 48 | 56 BOARD LOCKS IN FRONT HOLE |



THESE DRAWINGS AND SPECIFICATIONS ARE THE PROPERTY OF NorComp AND SHALL NOT BE REPRODUCED, COPIED OR USED AS THE BASIS FOR THE MANUFACTURE OF SALE OF APPARATUS WITHOUT WRITTEN PERMISSION.

DRAWN: WAYNE ROBBINS

DATE: 3-17-05

CHECKED:

DATE:

NorComp

SCALE: SHEET 3 OF 3 REV 7

DWG NO. 181-YYY-213RYY1

RoHS COMPLIANT