

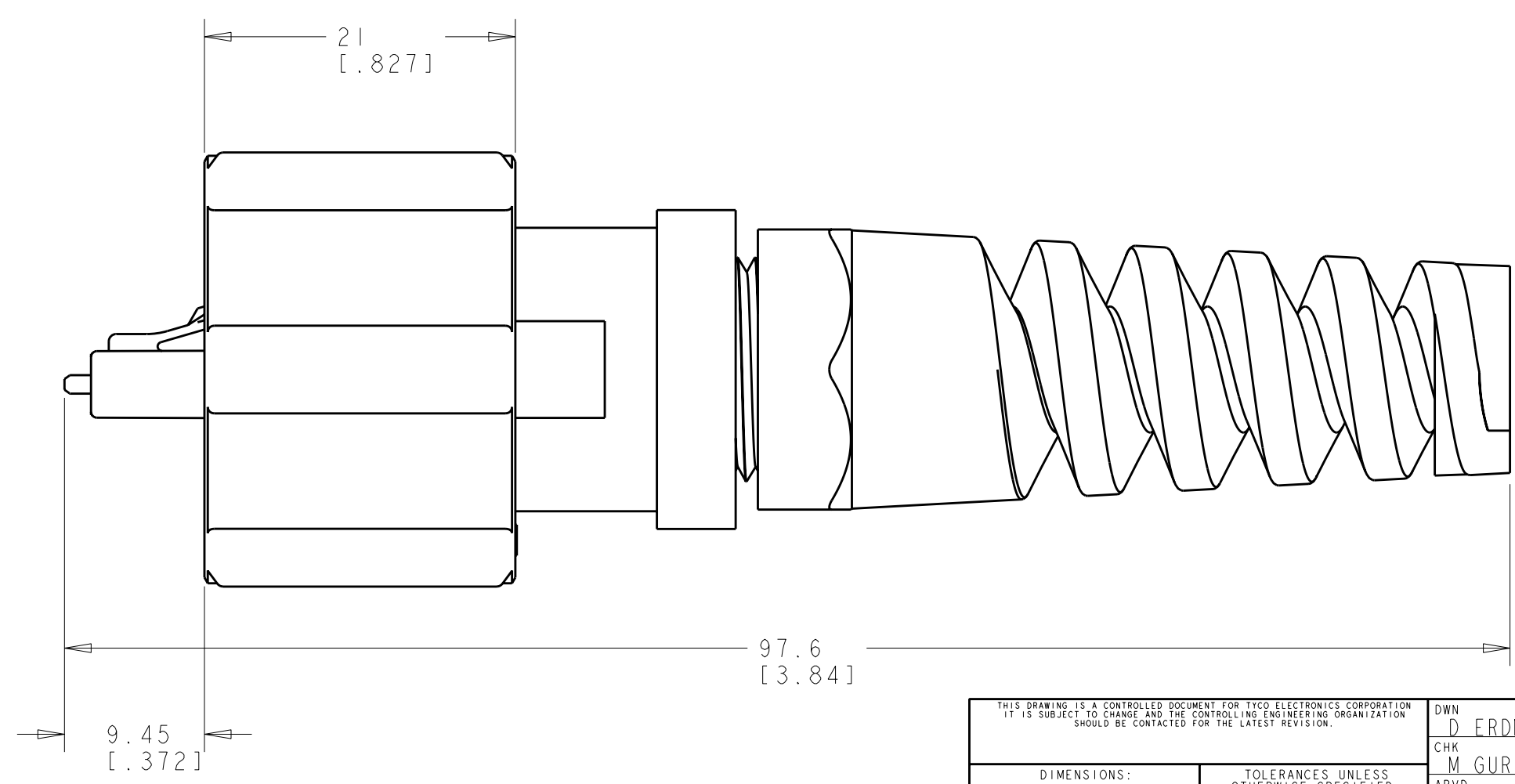
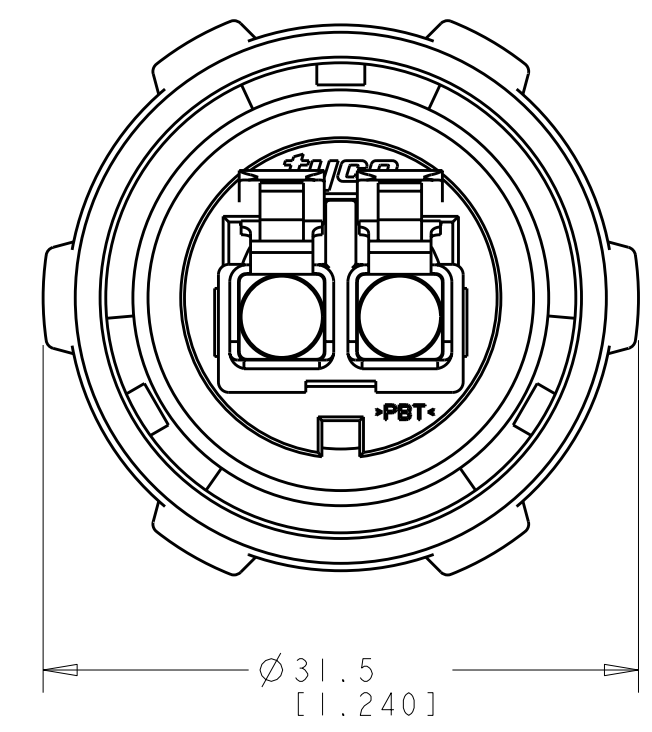
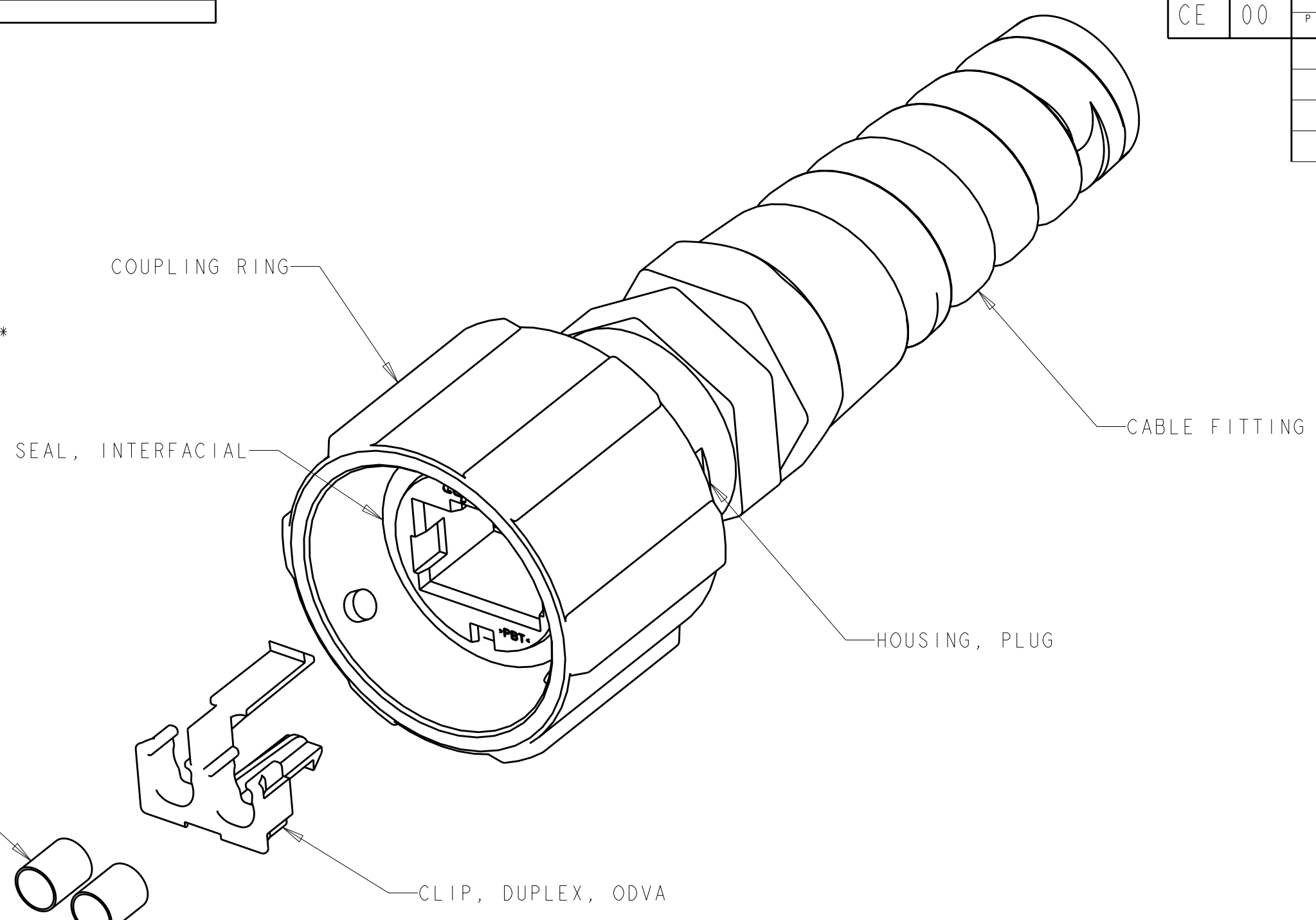
THIS DRAWING IS UNPUBLISHED. RELEASED FOR PUBLICATION 20  
 © COPYRIGHT 20 BY TYCO ELECTRONICS CORPORATION. ALL RIGHTS RESERVED.

LOC	DIST	REVISIONS			
P	LTR	DESCRIPTION	DATE	DWN	APVD
CE	00	A	REL TO ACTIVE PER ECR-08-029127	IDEC2008	DDE DDE

**MATERIAL:**  
 PLUG HOUSING: PBT, COLOR: BLACK\*  
 COUPLING RING: PBT, COLOR: BLACK\*  
 CABLE FITTING: NYLON 6/6, COLOR: BLACK  
 INTERFACIAL SEAL: SILICONE, COLOR: RED/ORANGE  
 CRIMP EYELET: BRASS, TIN PLATED  
 DUPLEX CLIP: PC, COLOR: BLACK\*

**LC PLUG ASSEMBLY:**  
 HOUSING: PET, COLOR: (-1) MM BEIGE, (-2) SM BLUE\*  
 FERRULE SUB ASSY: ZIRCONIA/ METAL  
 COMPRESSION SPRING: SST  
 INNER TUBING: PTFE\*  
 REAR BODY: METAL  
 PROTECTIVE CAP: PPSU, COLOR: BLACK

\*UL 94 V-0 RATED AT QUALIFYING THICKNESS.



SINGLEMODE	1828618-2
MULTIMODE	1828618-1
DESCRIPTION	PART NO

THIS DRAWING IS A CONTROLLED DOCUMENT FOR TYCO ELECTRONICS CORPORATION. IT IS SUBJECT TO CHANGE AND THE CONTROLLING ENGINEERING ORGANIZATION SHOULD BE CONTACTED FOR THE LATEST REVISION.		DWN D. ERDMAN 19MAY2005	Tyco Electronics Harrisburg, PA 17105-3608	
DIMENSIONS: mm [IN]		CHK M. GURRERI 19MAY2005	NAME KIT, PLUG, INDUSTRIAL DUPLEX LC ODVA	
TOLERANCES UNLESS OTHERWISE SPECIFIED: 0 PLC ±0.1 1 PLC ±0.1 2 PLC ±0.1 3 PLC ± 4 PLC ± ANGLES ± FINISH		APVD D. BAECHTLE 19MAY2005	RESTRICTED TO	
MATERIAL		PRODUCT SPEC	SIZE A200779	CAGE CODE C-1828618
		APPLICATION SPEC	DRAWING NO 1828618	REV A
		WEIGHT	SCALE 5:2	SHEET 1 OF 1
		CUSTOMER DRAWING		