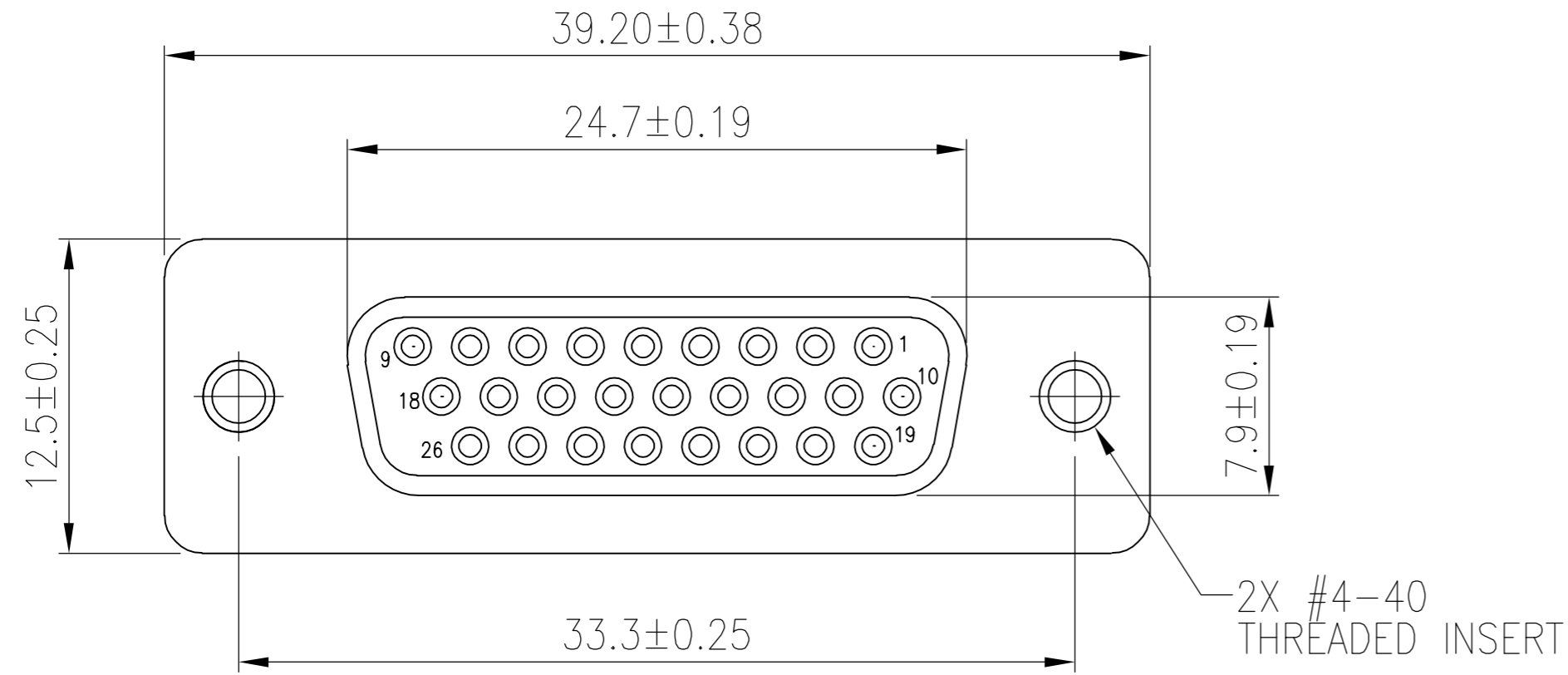


THIS DRAWING IS UNPUBLISHED. RELEASED FOR PUBLICATION
 © COPYRIGHT BY TYCO ELECTRONICS CORPORATION. ALL RIGHTS RESERVED.

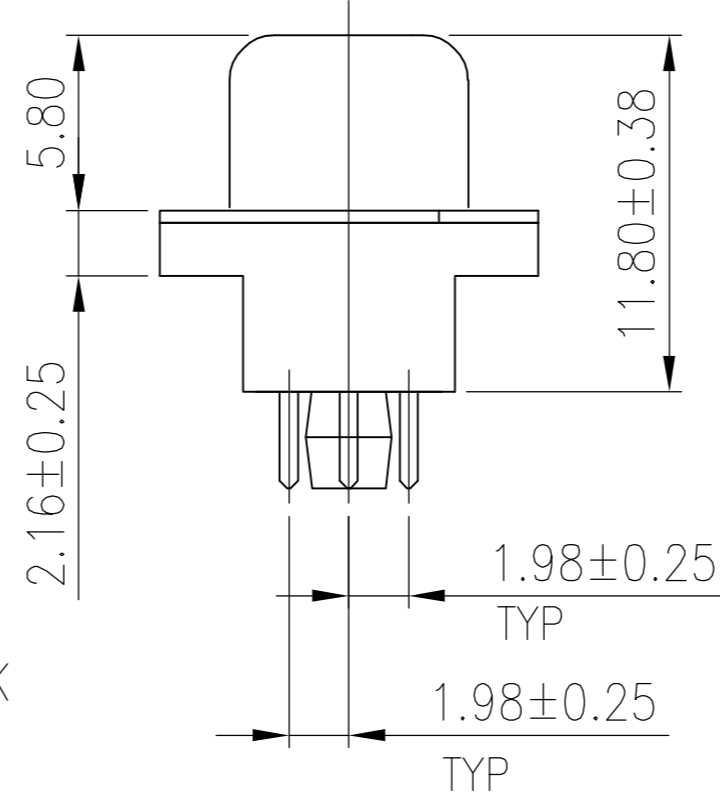
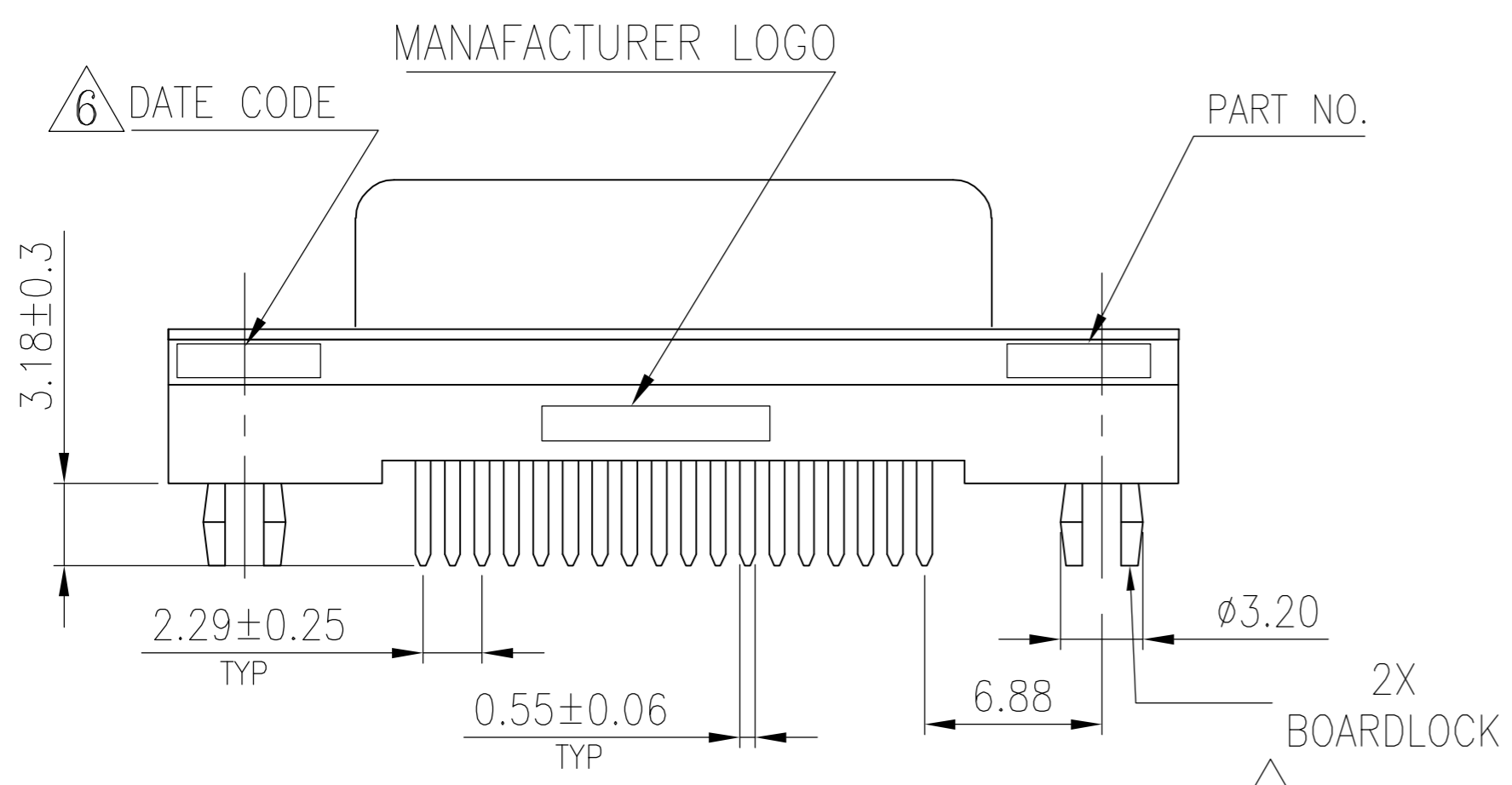
LOC		DIST		REVISIONS			
GP	00	P	LTR	DESCRIPTION	DATE	DWN	APVD
		C		REVISED PER ECO-06-029348	21DEC06	JDP	SLB



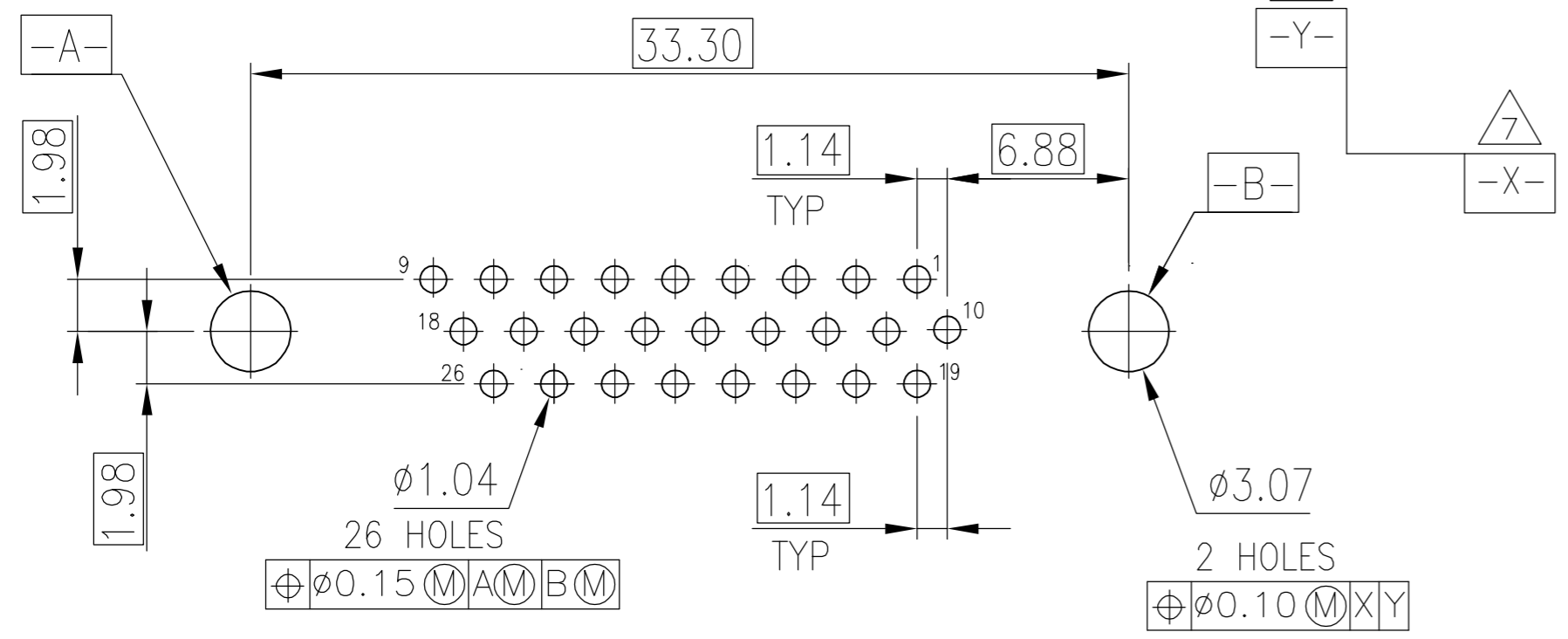
1. HOUSING MATERIAL: PBT, GLASS FILLED, BLACK, UL 94V-0 RATED.
2. CONTACT MATERIAL: PHOSPHOR BRONZE.
3. CONTACT FINISH: 30μ" MIN GOLD PLATE IN MATING AREA, 120μ" MIN TIN PLATE ON SOLDER TAIL, BOTH OVER 50μ" MIN NICKEL UNDERPLATE.
4. SHELL: STEEL, NICKEL PLATE.
5. THREADED INSERTS AND BOARDLOCKS: BRASS, 100u" MIN TIN PLATE OVER 50u" MIN NICKEL UNDERPLATE.

△ DATE CODE
 △ MANUFACTURER LOGO
 △ PART NO.

Year 01 45 Manufacturing Week



△ DATUMS [-X-] & [-Y-] TO BE ESTABLISHED BY CUSTOMER.



RECOMMENDED PCB LAYOUT

1888178-1
 PART NUMBER

THIS DRAWING IS A CONTROLLED DOCUMENT.		DWN	B. MCMASTER	26OCT05	tyco Electronics	Tyco Electronics Corporation Harrisburg, PA 17105-3608			
DIMENSIONS: mm		CHK	S. BOLASH	26OCT05		NAME	AMPLIMITE HD-22, 26 POSITION RECEPTACLE, VERTICAL		
TOLERANCES UNLESS OTHERWISE SPECIFIED:		APVD	M. WALMSLEY	26OCT05	PRODUCT SPEC	SIZE	CAGE CODE	DRAWING NO	RESTRICTED TO
0 PLC ± -		APPLICATION SPEC	-			WEIGHT	A2 00779 C=1888178		-
1 PLC ± 0.30		WEIGHT	-			SCALE	3:1		SHEET
2 PLC ± 0.20		CUSTOMER DRAWING	-			SHEET	1 of 1		REV
3 PLC ± 0.10			-			REV	C		
4 PLC ± -			-						
ANGLES ± 2°			-						
FINISH			-						