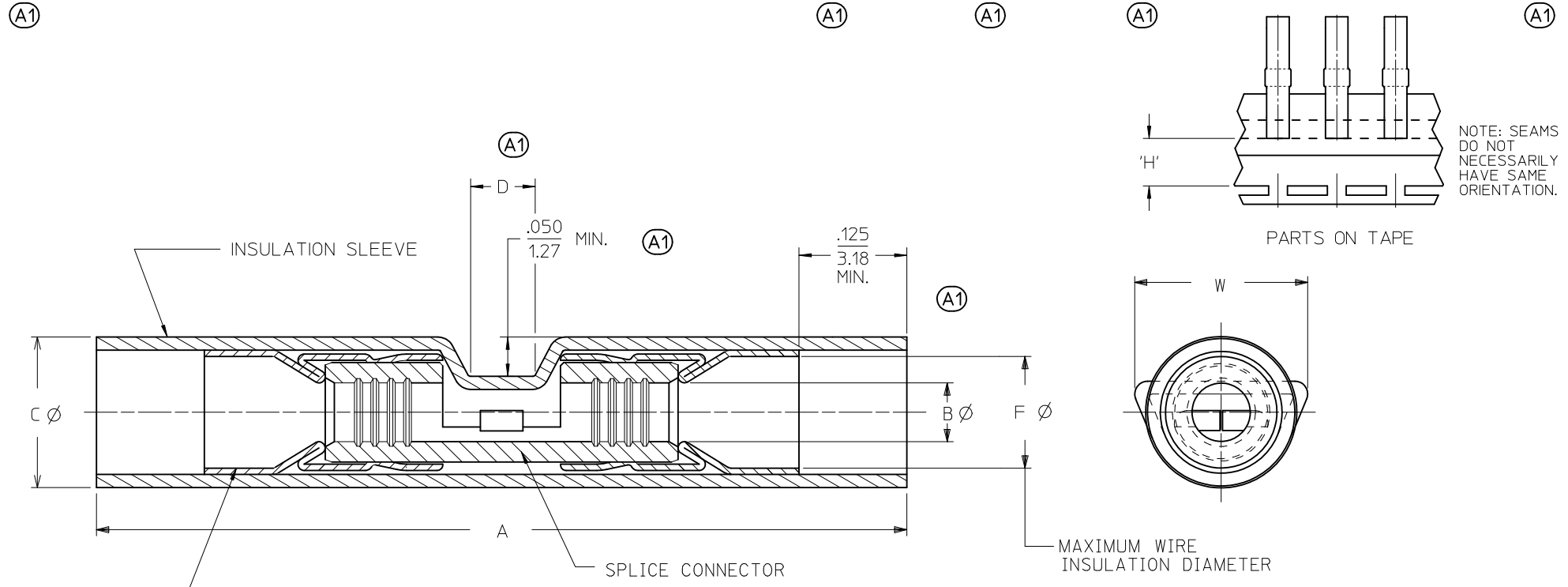


LOOSE PIECE		MIL-T-7928/5 PART NO.	TAPE MOUNTED (A1)		WIRE AWG	INSUL COLOR	DIMENSIONS						
MATERIAL NO.	ENGINEERING P/N		MATERIAL NO.	ENGINEERING P/N			A MAX.	B	C ± (.025 (0.64))	D MIN.	F MIN.	W MAX.	H NOMINAL
191990007	WA-840	M7928/5-3	191990008	WA-840T	22-18	RED	1.300/(33.02)	.062±.010/(1.57±0.25)	.185/(4.70)	.08/(2.0)	.11/(2.8)	.250/(6.35)	.48/(12.1)
191990009	WB-841	M7928/5-4	191990010	WB-841T	16-14	BLUE	1.300/(33.02)	.088±.007/(2.24±0.18)	.215/(5.46)	.08/(2.0)	.14/(3.6)	.290/(7.37)	.49/(12.4)
191990011	WC-842	M7928/5-5	-	-	12-10	YELLOW	1.700/(43.18)	.134±.005/(3.40±0.13)	.275/(6.99)	.11/(2.8)	.20/(5.1)	.340/(8.64)	-



NOTES:
 1. MATERIAL
 INSULATION: TRANSPARENT NYLON
 FERRULE: TIN PLATED BRASS
 CONNECTOR: TIN PLATED COPPER

(A1) 2. PARTS ARE ROHS COMPLIANT.

ADD ALL MIL SPECS EC NO: WNA2009-0808 DRW: WTHRODAHL 2009/04/09 CHKD: JMACNEIL 1993/03/04 APPR: JMACNEIL 2010/03/25	QUALITY SYMBOLS	GENERAL TOLERANCES (UNLESS SPECIFIED)	DIMENSION STYLE	SCALE	DESIGN UNITS	THIRD ANGLE PROJECTION
	▽=0	mm INCH	IN/MM	1:1	INCH	
	∇=0	4 PLACES ± --- ± ---	DRAWN BY DATE	TITLE AVIKRIMP WINDOW BUTT SPLICE		
		3 PLACES ± --- ± ---	RCM 1993/03/04			
		2 PLACES ± --- ± ---	CHECKED BY DATE	MOLEX INCORPORATED		
	1 PLACE ± --- ± ---	JM 1993/03/04				
	ANGULAR ± --- °	APPROVED BY DATE	DOCUMENT NO. SD-19199-003			
		JMACNEIL 2010/03/25				
		MATERIAL NO.	SHEET NO. 1 OF 1			
		DRAFT WHERE APPLICABLE MUST REMAIN WITHIN DIMENSIONS	THIS DRAWING CONTAINS INFORMATION THAT IS PROPRIETARY TO MOLEX INCORPORATED AND SHOULD NOT BE USED WITHOUT WRITTEN PERMISSION			