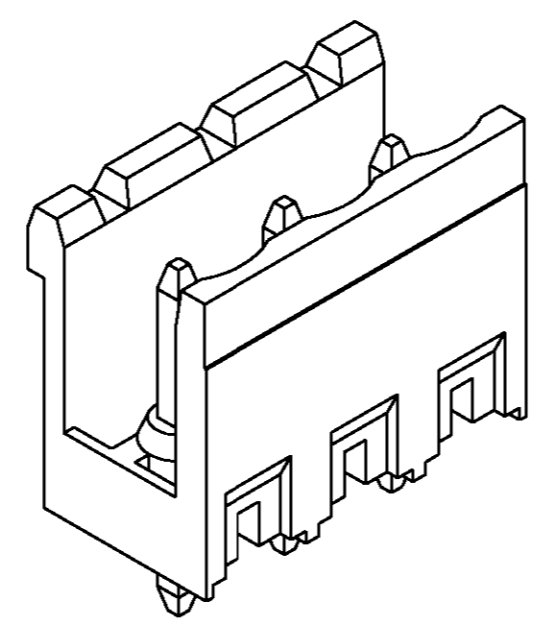
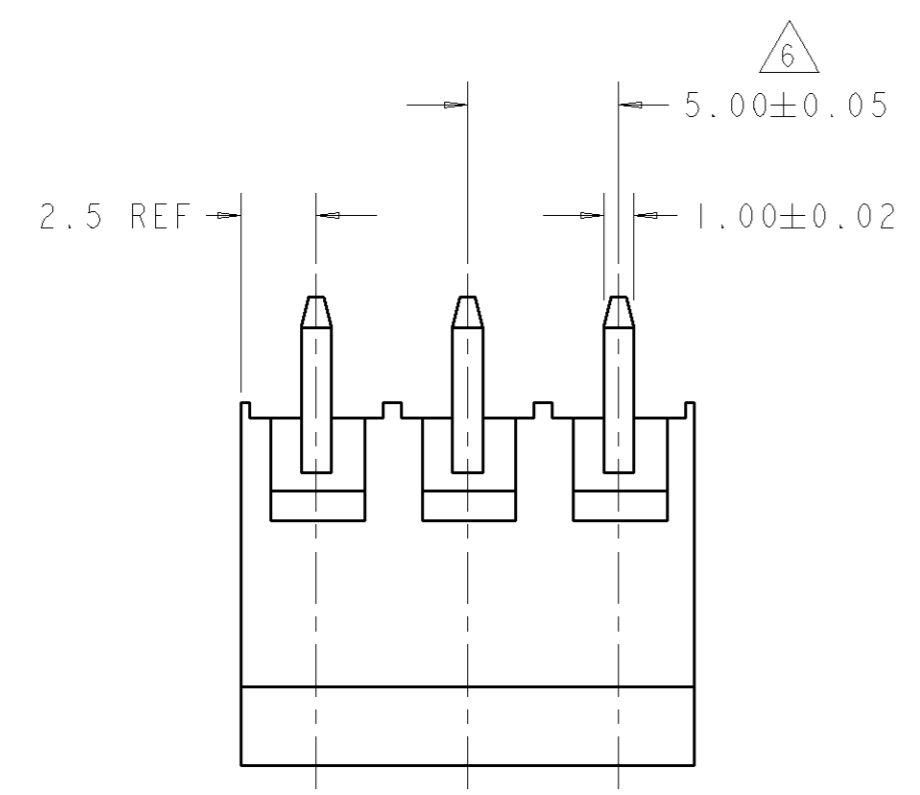


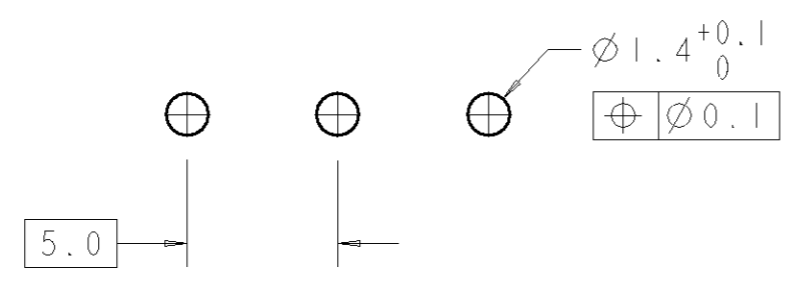
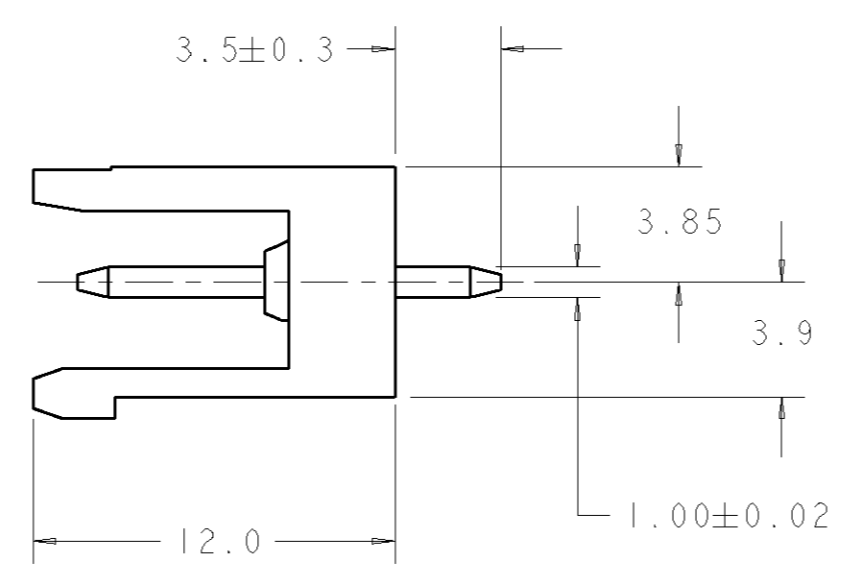
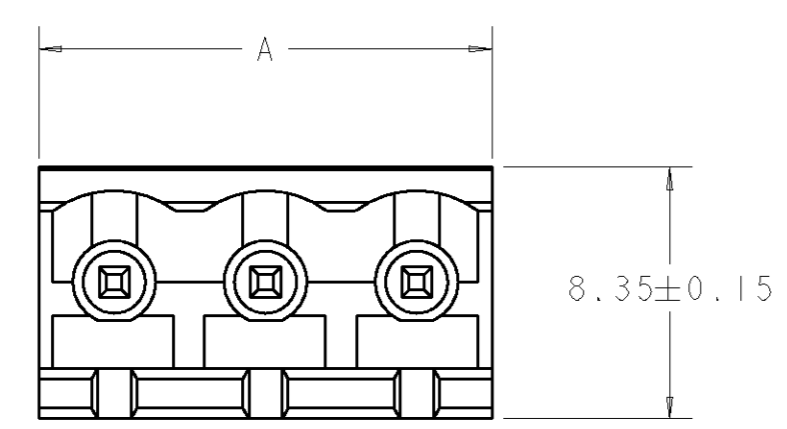
THIS DRAWING IS UNPUBLISHED. RELEASED FOR PUBLICATION 20
 © COPYRIGHT 20 BY TYCO ELECTRONICS CORPORATION. ALL RIGHTS RESERVED.

LOC	DIST	REVISIONS					
FT	0	P	LTR	DESCRIPTION	DATE	DWN	APVD
			A	RELEASED	-	-	-



1546212-3 AS SHOWN

- 1. MATERIALS AND FINISH
 HOUSING: PA 6-6, UL 94-V0, COLOR: GRAY.
 TERMINAL: PHOSPHOR BRONZE, TIN PLATED.
- 2. SUITABLE FOR 1,6-2,4mm PC BOARD THICKNESS.
- 3. END-TO-END STACKABLE WITHOUT LOSS OF CENTERLINE SPACING.
- 4. RECOGNIZED UNDER THE COMPONENT PROGRAM OF UNDERWRITERS LABORATORIES INC., FILE N° E60677.
- 5. IMQ CERTIFICATE WITH SURVEILLANCE IN CONFORMITY WITH IEC 998-1/998-2-1.
- 6. NOT CUMULATIVE TOLERANCE.



RECOMMENDED PC BOARD LAYOUT

125.0	25	2-1546212-5
120.0	24	2-1546212-4
115.0	23	2-1546212-3
110.0	22	2-1546212-2
105.0	21	2-1546212-1
100.0	20	2-1546212-0
95.0	19	1-1546212-9
90.0	18	1-1546212-8
82.0	17	1-1546212-7
80.0	16	1-1546212-6
75.0	15	1-1546212-5
70.0	14	1-1546212-4
65.0	13	1-1546212-3
60.0	12	1-1546212-2
55.0	11	1-1546212-1
50.0	10	1-1546212-0
45.0	9	1546212-9
40.0	8	1546212-8
35.0	7	1546212-7
30.0	6	1546212-6
25.0	5	1546212-5
20.0	4	1546212-4
15.0	3	1546212-3
10.0	2	1546212-2
A	NO OF POSN	PART NUMBER

THIS DRAWING IS A CONTROLLED DOCUMENT FOR TYCO ELECTRONICS CORPORATION. IT IS SUBJECT TO CHANGE AND THE CONTROLLING ENGINEERING ORGANIZATION SHOULD BE CONTACTED FOR THE LATEST REVISION.		DWN S. WELDON 27FEB2004	Tyco Electronics Harrisburg, PA 17105-3608	
DIMENSIONS: mm		CHK C. RICHARD 27FEB2004	NAME TERMINAL BLOCK HEADER ASSEMBLY 180 DEGREE, OPEN ENDS, STACKING 5.00mm PITCH	
TOLERANCES UNLESS OTHERWISE SPECIFIED: 0 PLC ±.2 1 PLC ±.25 2 PLC ±.25 3 PLC ±. 4 PLC ±. ANGLES ±2 FINISH		APVD C. RICHARD 27FEB2004	PRODUCT SPEC 108-20166	
MATERIAL		APPLICATION SPEC 114-20079	SIZE A2	CAGE CODE 00779
DRAWING NO 1546212		WEIGHT -	DRAWING NO 1546212	RESTRICTED TO -
CUSTOMER DRAWING		SCALE 4.1		SHEET 1 OF 1
		REV A		