

LOC		DIST		REVISIONS			
P	LTR	DESCRIPTION	DATE	DMN	APVD		
B		EC 063C 0056 05	31MAY05	BSV	KW		
B1		REVISED PER ECO-10-000443	18JAN10	KK	HMR		

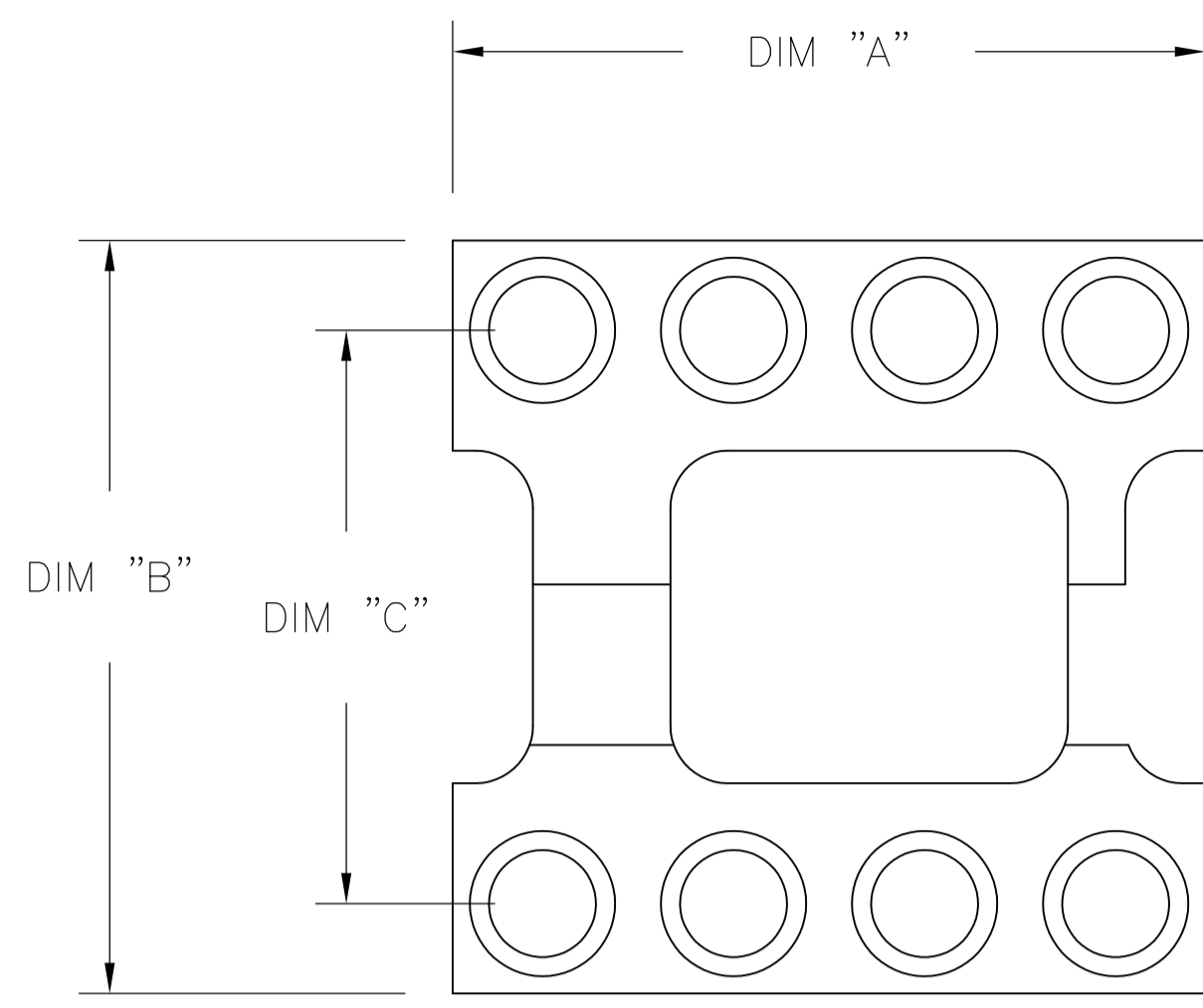


FIG. 1

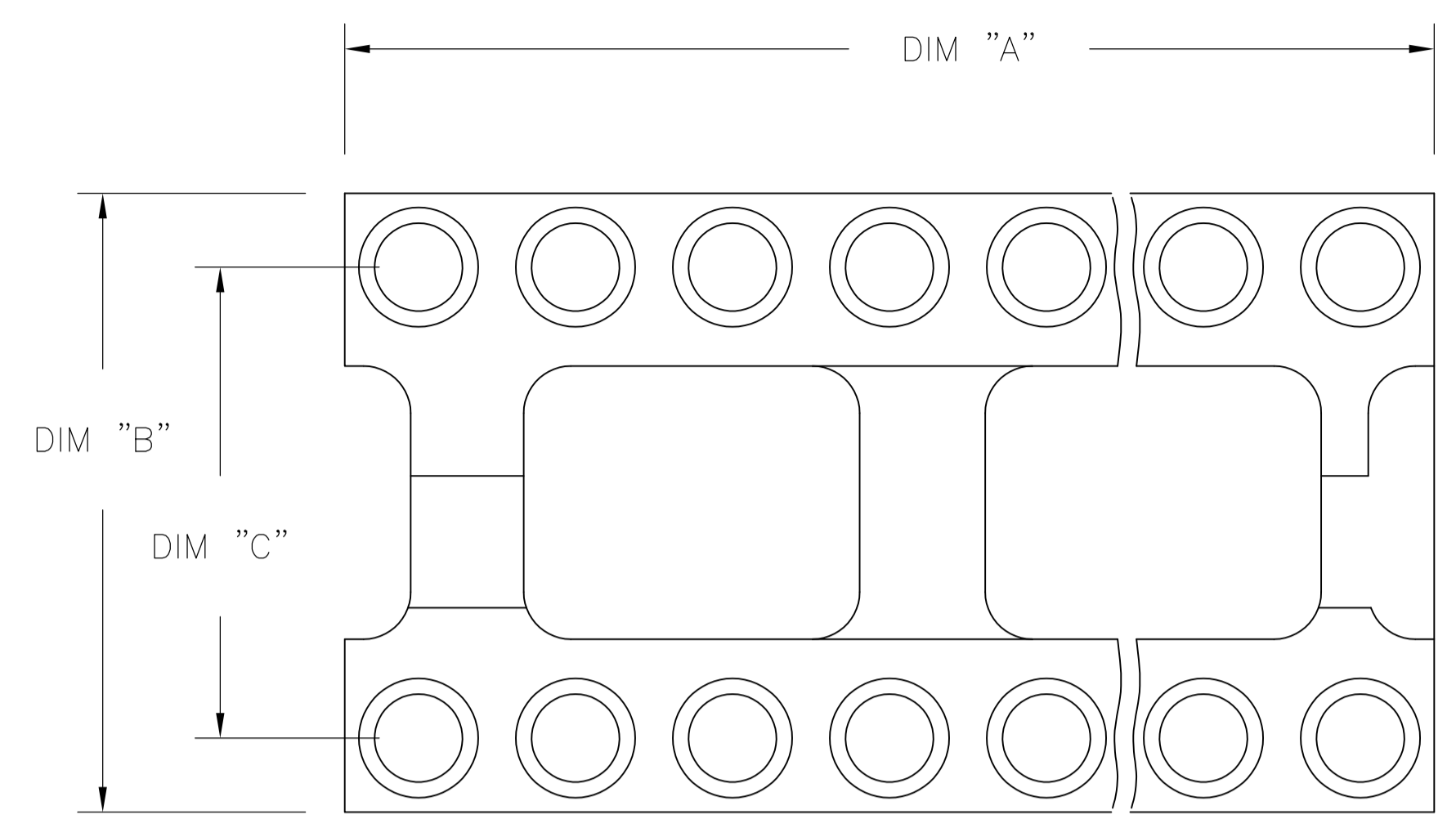


FIG. 2

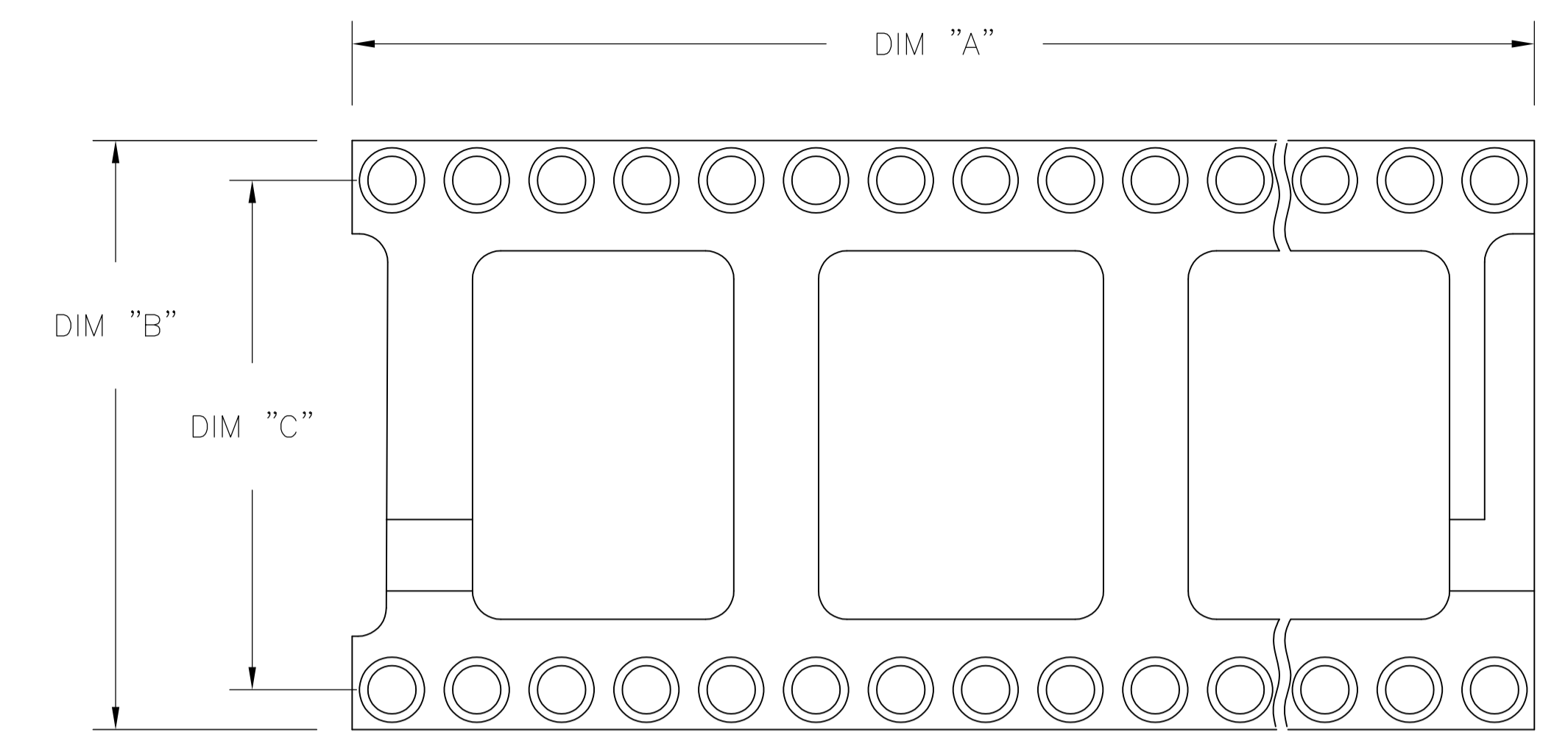
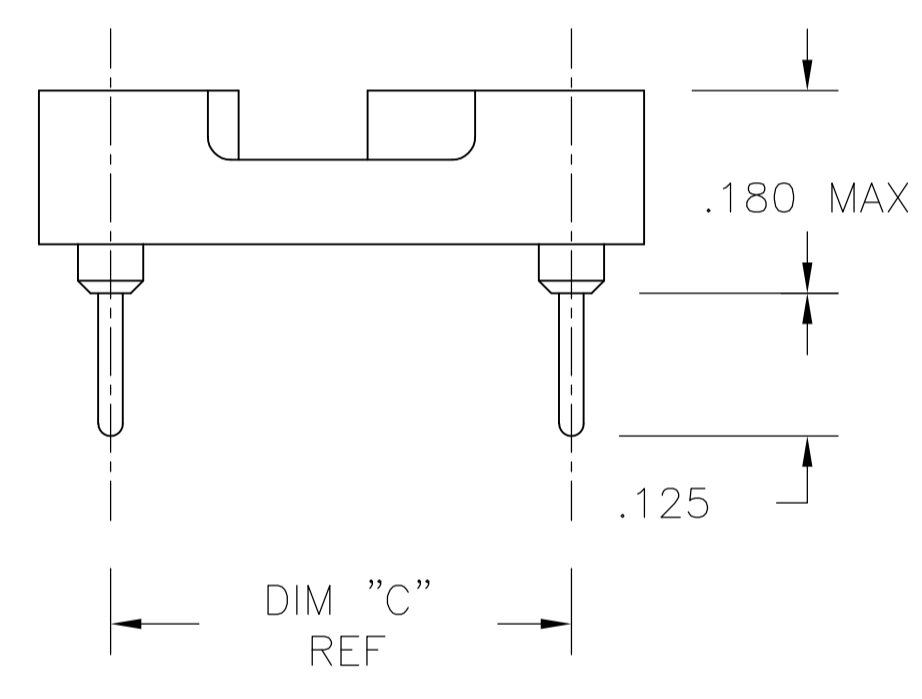
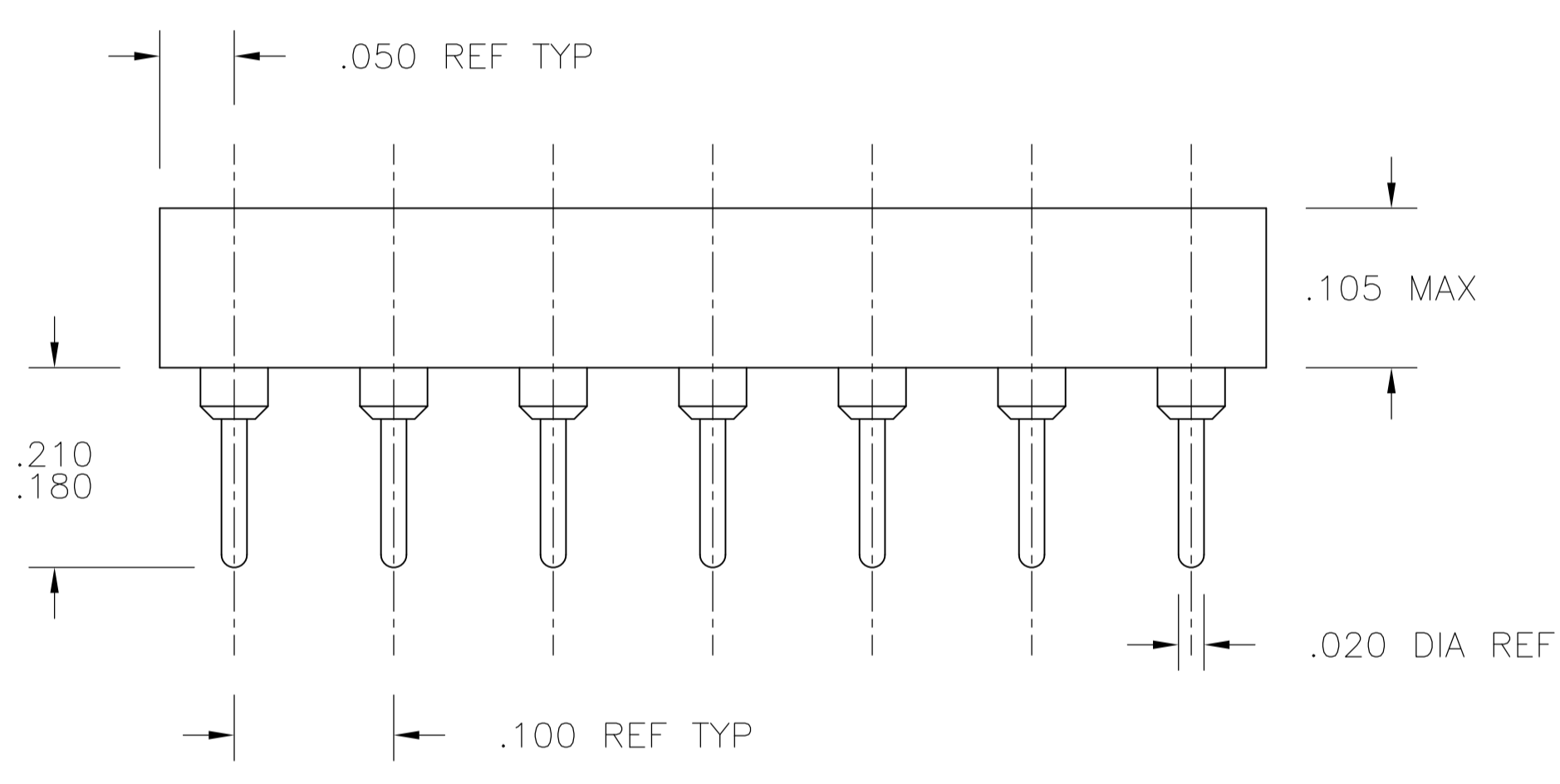
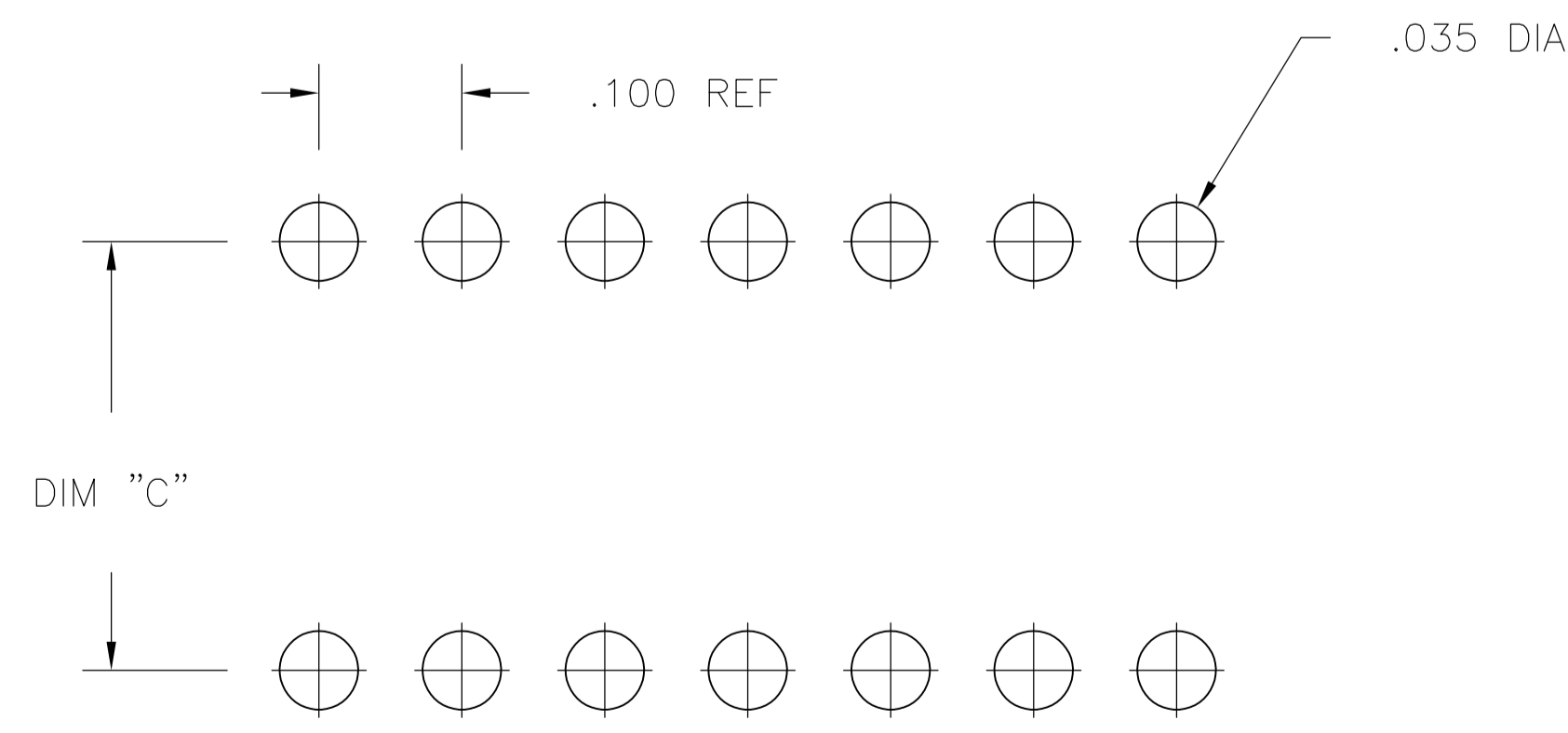


FIG. 3



1. INSULATOR MATERIAL - THERMOPLASTIC POLYESTER, PCT, BLACK, UL94 V-0
2. MACHINED CONTACT - BECU, PLATED WITH 80-200μ" TIN (LEAD FREE) OVER 75-100μ" COPPER.
3. SLEEVE - COPPER, PLATED WITH 180-340μ" THK TIN (LEAD FREE) OVER 75-125 MIN NICKEL.
4. MACHINED CONTACT - BECU, PLATED WITH 25μ" MIN. GOLD OVER 30-100μ" NICKEL.
5. ELECTRICAL:  
 CONTACT RESISTANCE: 10 MILLIOHMS MAX  
 CONTACT RATING: 3 AMPS  
 CAPACITANCE: 1.0 pF PER MIL-STD-202, METHOD 305  
 INSULATION RESISTANCE: 5000 OHMS MIN @ 500 VDC PER MIL-STD-1344, METHOD 3003.1  
 DIELECTRIC WITHSTANDING VOLTAGE: 1000 VOLTS (RMS) PER MIL-STD-1344, METHOD 3001.1
6. MECHANICAL:  
 INSERTION FORCE: 134 GRAMS AVG  
 WITHDRAWAL FORCE: 63 GRAMS AVG  
 "ACCEPTS IC PIN - .009"X.015" THROUGH .011"X.020", OR .016" TO .021" DIAMETER, .150/.105 LONG"
7. ENVIRONMENTAL:  
 OPERATING TEMPERATURE: -55°C TO -105°C
8. OBSOLETE PARTS: OBSOLETE CIS STREAMLINING PER D.RENAUD/D.SINISI



P.C.B. HOLE LAYOUT  
 TOLERANCE ±.003

THIS DRAWING IS A CONTROLLED DOCUMENT.		DIN T.KRAYBILL 07NOV03	Tyco Electronics Corporation Harrisburg, Pa 17105-3608	
DIMENSIONS: INCHES		CHK K.WRIGHT	NAME K.WRIGHT	
TOLERANCES UNLESS OTHERWISE SPECIFIED:		APVD K.WRIGHT	PRODUCT SPEC	
0. PLC ± -		APPLICATION SPEC		
1. PLC ± -		SIZE A1		
2. PLC ± -		CAGE CODE 00779		
3. PLC ± .005		DRAWING NO. 1571586		
4. PLC ± -		RESTRICTED TO		
ANGLES ± -		CUSTOMER DRAWING		
MATERIAL -		SCALE 4:1		SHEET 1 OF 2
FINISH -		REV B1		

△3△4△8	OBSOLETE	GOLD	TIN	.400±.005	.500	1.200	2	24	<del>3-1571586-7</del>
△3△4	GOLD	TIN	.300±.005	.400	1.200	2	24	3-1571586-6	
△3△4	GOLD	TIN	.900±.005	1.000	3.200	3	64	3-1571586-5	
△3△4	GOLD	TIN	.600±.005	.700	2.400	3	48	3-1571586-4	
△3△4	GOLD	TIN	.600±.005	.700	2.100	3	42	3-1571586-3	
△3△4	GOLD	TIN	.600±.005	.700	2.000	3	40	3-1571586-2	
△3△4	GOLD	TIN	.600±.005	.700	1.800	3	36	3-1571586-1	
△3△4	GOLD	TIN	.600±.005	.700	1.600	3	32	3-1571586-0	
△3△4	GOLD	TIN	.600±.005	.700	1.400	2	28	2-1571586-9	
△3△4	GOLD	TIN	.600±.005	.700	1.200	2	24	2-1571586-8	
△3△4	GOLD	TIN	.400±.005	.500	1.100	2	22	2-1571586-7	
△3△4	GOLD	TIN	.300±.005	.400	1.000	2	20	2-1571586-6	
△3△4	GOLD	TIN	.300±.005	.400	.900	2	18	2-1571586-5	
△3△4	GOLD	TIN	.300±.005	.400	.800	2	16	2-1571586-4	
△3△4	GOLD	TIN	.300±.005	.400	.700	2	14	2-1571586-3	
△3△4	GOLD	TIN	.300±.005	.400	.400	1	8	2-1571586-2	
△3△2	TIN	TIN	.400±.005	.500	1.200	2	24	1-1571586-7	
△3△2	TIN	TIN	.300±.005	.400	1.200	2	24	1-1571586-6	
△3△2△8	OBSOLETE	TIN	TIN	.900±.005	1.000	3.200	3	64	<del>1-1571586-5</del>
△3△2△8	OBSOLETE	TIN	TIN	.600±.005	.700	2.400	3	48	<del>1-1571586-4</del>
△3△2△8	OBSOLETE	TIN	TIN	.600±.005	.700	2.100	3	42	<del>1-1571586-3</del>
△3△2△8	OBSOLETE	TIN	TIN	.600±.005	.700	2.000	3	40	<del>1-1571586-2</del>
△3△2△8	OBSOLETE	TIN	TIN	.600±.005	.700	1.800	3	36	<del>1-1571586-1</del>
△3△2	TIN	TIN	.600±.005	.700	1.600	3	32	1-1571586-0	
△3△2△8	OBSOLETE	TIN	TIN	.600±.005	.700	1.400	2	28	<del>1571586-9</del>
△3△2△8	OBSOLETE	TIN	TIN	.600±.005	.700	1.200	2	24	<del>1571586-8</del>
△3△2△8	OBSOLETE	TIN	TIN	.400±.005	.500	1.100	2	22	<del>1571586-7</del>
△3△2	TIN	TIN	.300±.005	.400	1.000	2	20	1571586-6	
△3△2△8	OBSOLETE	TIN	TIN	.300±.005	.400	.900	2	18	<del>1571586-5</del>
△3△2△8	OBSOLETE	TIN	TIN	.300±.005	.400	.800	2	16	<del>1571586-4</del>
△3△2△8	OBSOLETE	TIN	TIN	.300±.005	.400	.700	2	14	<del>1571586-3</del>
△3△2	TIN	TIN	.300±.005	.400	.400	1	8	1571586-2	

FINISH CONTACT/SLEEVE	"C" MAX	"B" MAX	"A" MAX	FIG	NO. OF POSN	PART NO.
-----------------------	---------	---------	---------	-----	-------------	----------

THIS DRAWING IS A CONTROLLED DOCUMENT.		DIN T. KRAYBILL 07NOV03	Tyco Electronics Corporation Harrisburg, Pa 17105-3608
DIMENSIONS: INCHES		CHK K. WRIGHT	
TOLERANCES UNLESS OTHERWISE SPECIFIED:		APPV K. WRIGHT	NAME: OPEN FRAME DIP, PREMIUM (MACHINE CONTACT), LEAD FREE (REF AUGAT 800 SERIES)
0. PLC ± -		PRODUCT SPEC	
1. PLC ± -		APPLICATION SPEC	SIZE: A1
2. PLC ± -		WEIGHT	CAGE CODE: 00779
3. PLC ± .005		CUSTOMER DRAWING	DRAWING NO: 1571586
4. PLC ± -		SCALE: 1:1	RESTRICTED TO: -
ANGLES ± -		SHEET 2 OF 2	REV B1