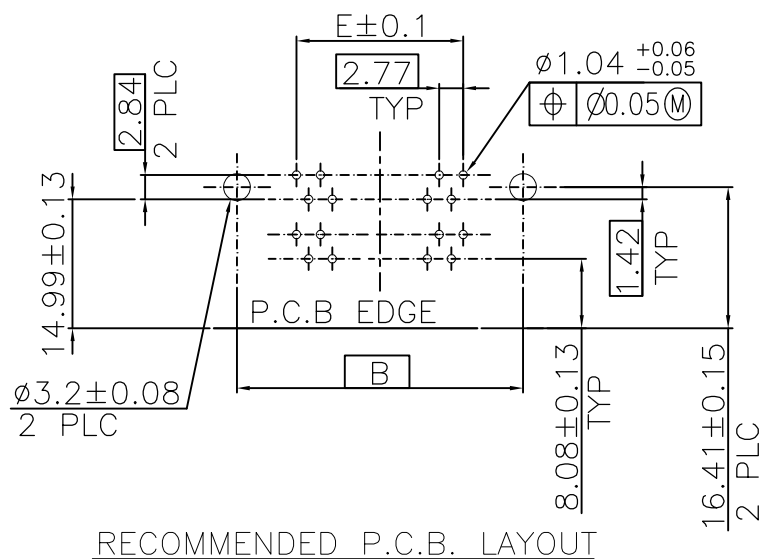
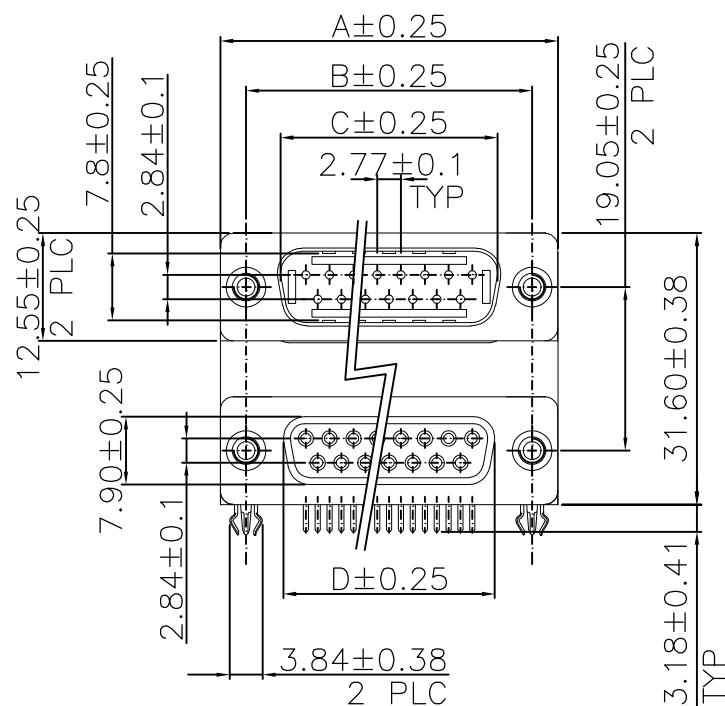


THIS DRAWING IS UNPUBLISHED. RELEASED FOR PUBLICATION AUG. 2006.  
 © COPYRIGHT 2009 BY TYCO ELECTRONICS CORPORATION. ALL RIGHTS RESERVED.

LOC DW DIST

REVISIONS					
P	LTR	DESCRIPTION	DATE	DWN	APVD
	A	REVISED (ECR-09-010844) OBSOLETE -1, -2, -4, 1-2, 1-4, 2-2, 3-1, 3-2	18MAY09	SC	WK
	01	REVISED PER ECO-10-000444	20JAN10	KK	HMR

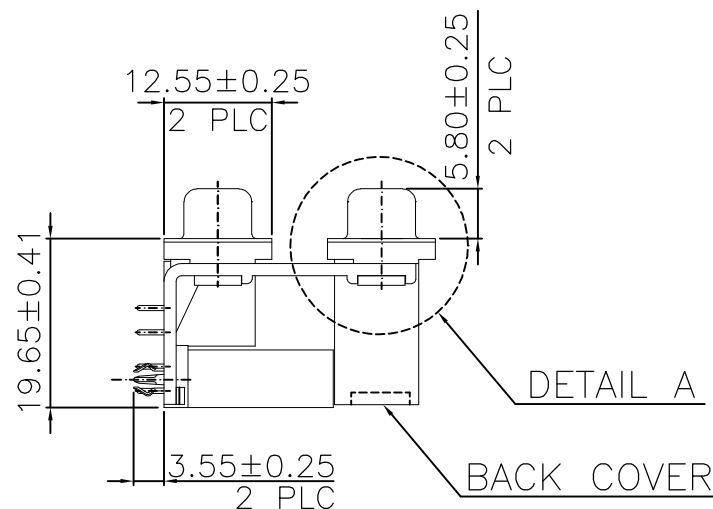
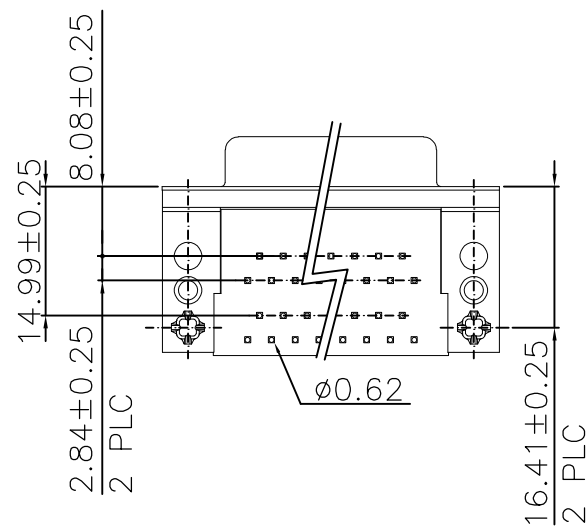


RECOMMENDED P.C.B. LAYOUT

NOTES:

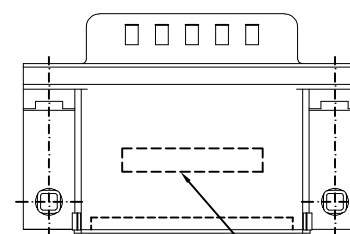
- MATERIAL:
  - HOUSING/BACK COVER: THERMOPLASTIC, UL94V-0; COLOR: SEE TABLE.
  - CONTACTS: COPPER ALLOY
  - BOARDLOCK: COPPER ALLOY
  - BRACKET: ZINC ALLOY
  - SHELL: STEEL
- FINISH:
  - CONTACT: GOLD PLATING (SEE TABLE) ON CONTACT AREA. 100µ" MIN. BRIGHT TIN PLATING ON SOLDER TAIL AREA, 50µ" MIN. NICKEL UNDERPLATING OVERALL.
  - BOARDLOCK: 60µ" MIN. TIN PLATING OVERALL.
  - SHELL: 60µ" MIN. TIN PLATING OVERALL.
- WAVE SOLDER CAPABLE TO 265°C PER TE SPEC. 109-202, CONDITION B.

⚠ OBSOLETE PARTS: OBSOLETE CIS STREAMLINING PER D.RENAUD/D.SINISI

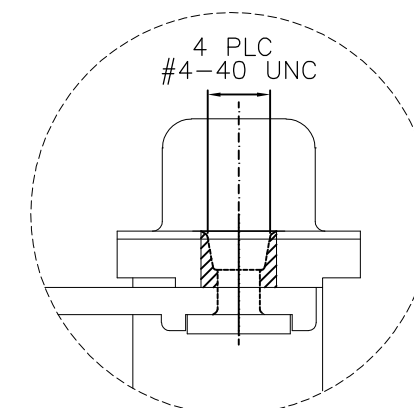


DETAIL A

BACK COVER



AMP LOGO



DETAIL A

⚠ OBSOLETE	3-1734282-3
	3-1734282-2
	3-1734282-1
	2-1734282-6
	2-1734282-5
	2-1734282-4
⚠ OBSOLETE	2-1734282-3
	2-1734282-2
	2-1734282-1
	PART NO.

⚠ OBSOLETE	1-1734282-6
	1-1734282-5
	1-1734282-4
⚠ OBSOLETE	1-1734282-3
	1-1734282-2
⚠ OBSOLETE	1-1734282-1
	1-1734282-6
	1-1734282-5
	1734282-4
	1734282-3
	1734282-2
	1734282-1
	PART NO.

X-1734282-6	30 µ"	PC99/ACTUAL COLOR	37-37 NOT AVAILABLE
X-1734282-5	10 µ"	PC99/ACTUAL COLOR	
X-1734282-4	GOLD FLASH	PC99/ACTUAL COLOR	
X-1734282-3	30 µ"	BLACK	
X-1734282-2	10 µ"	BLACK	
X-1734282-1	GOLD FLASH	BLACK	
PART NO.	GOLD PLATING	HSG COLOR	

3-1734282-X	37-37	69.34	63.50	55.42	54.80	49.86
2-1734282-X	25-25	53.10	47.04	38.96	38.30	33.24
1-1734282-X	15-15	39.30	33.30	25.25	24.60	19.39
1734282-X	9-9	30.95	24.99	16.92	16.20	11.08
PART NO.	PINS	A	B	C	D	E

THIS DRAWING IS A CONTROLLED DOCUMENT.

DIMENSIONS: MM	TOLERANCES UNLESS OTHERWISE SPECIFIED:	DWN S. CHIEN 18MAY2009	Tyco Electronics Corporation Taipei, Taiwan			
	0 PLC ± 0.5	CHK S. CHIEN 18MAY2009	NAME			
	1 PLC ± 0.3	APVD W. KODAMA 18MAY2009	D-SUB STACKED PLUG OVER RCPT, R/A TYPE, THREAD INSERTS			
	2 PLC ± 0.2	PRODUCT SPEC	108-57517			
	3 PLC ± -	APPLICATION SPEC	501-57590			
MATERIAL SEE NOTE	4 PLC ± -	WEIGHT - GRAMS	SIZE	CAGE CODE	DRAWING NO	RESTRICTED TO
	ANGLES ± 3°	FINISH	A300779		C=1734282	-
		CUSTOMER DRAWING	SCALE -	SHEET 1 OF 2	REV 01	

4

3

2

1

THIS DRAWING IS UNPUBLISHED.

RELEASED FOR PUBLICATION

AUG ,2006.

© COPYRIGHT 2009 BY TYCO ELECTRONICS CORPORATION. ALL RIGHTS RESERVED.

LOC  
DWDIST  
/

REVISIONS

P	LTR	DESCRIPTION	DATE	DWN	APVD
		SEE SHEET 1.			

TOP COVER

TRAY

CARTON

LABEL

NOTE :

1. DIMENSION :

TRAY : L=310, W=215, H=30

CARTON : L=335, W=230, H=280

2. TRAY : PS or PET

3. QUANTITY:

PIN NO.	9-9	15-15	25-25	37-37
PCS/TRAY	36	28	20	16
TRAY/CARTON	10	10	10	10
PCS/CARTON	360	280	200	160
NET WT.(KG/CARTON)	9.72	9.62	9.38	10.3
GROSS WT.(KG/CARTON)	11.22	11.05	10.81	11.46

LABEL

TRAY LAYOUT

THIS DRAWING IS A CONTROLLED DOCUMENT.		DWN	Tyco Electronics Corporation Taipei, Taiwan		
DIMENSIONS: MM		CHK	NAME		
TOLERANCES UNLESS OTHERWISE SPECIFIED:		APVD	D-SUB STACKED PLUG OVER RCPT, R/A TYPE, THREAD INSERTS		
0 PLC ± -		PRODUCT SPEC	SIZE	CAGE CODE	DRAWING NO
1 PLC ± -		APPLICATION SPEC	A3	00779	C=1734282
2 PLC ± -		WEIGHT	RESTRICTED TO		
3 PLC ± -		FINISH	-		
4 PLC ± -		CUSTOMER DRAWING	SCALE	SHEET	REV
ANGLES ± -			-	2 OF 2	01

AMP 1470-19 REV 31MAR2000