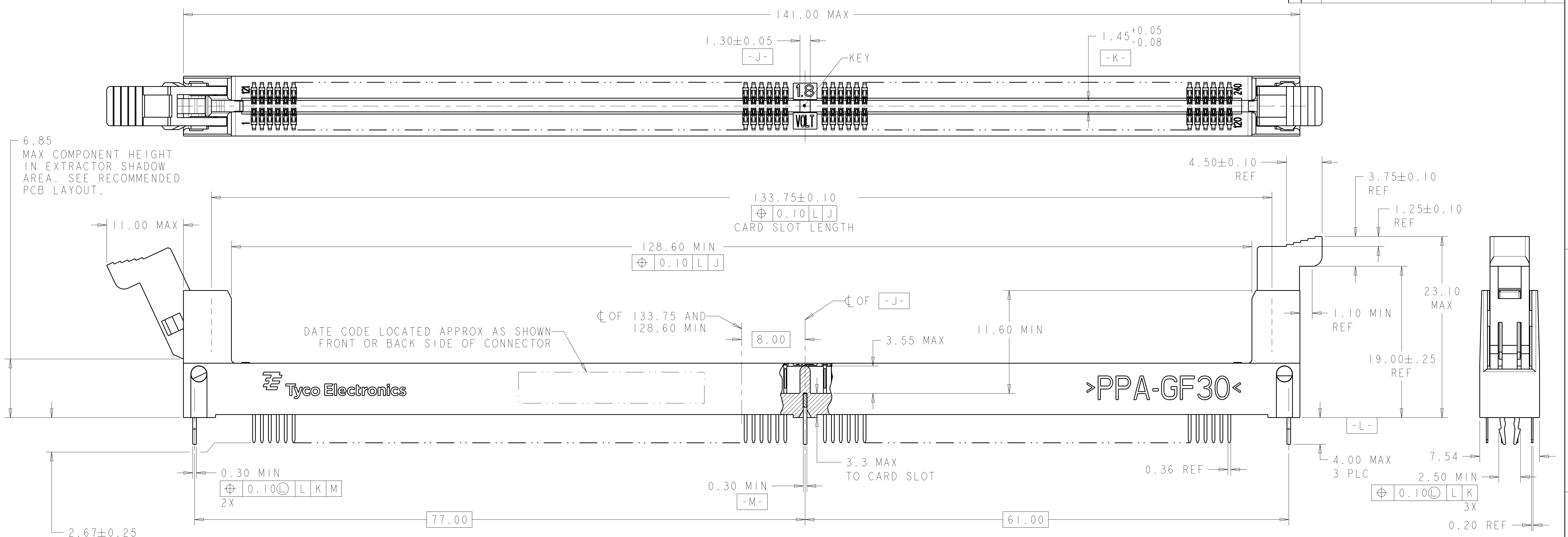
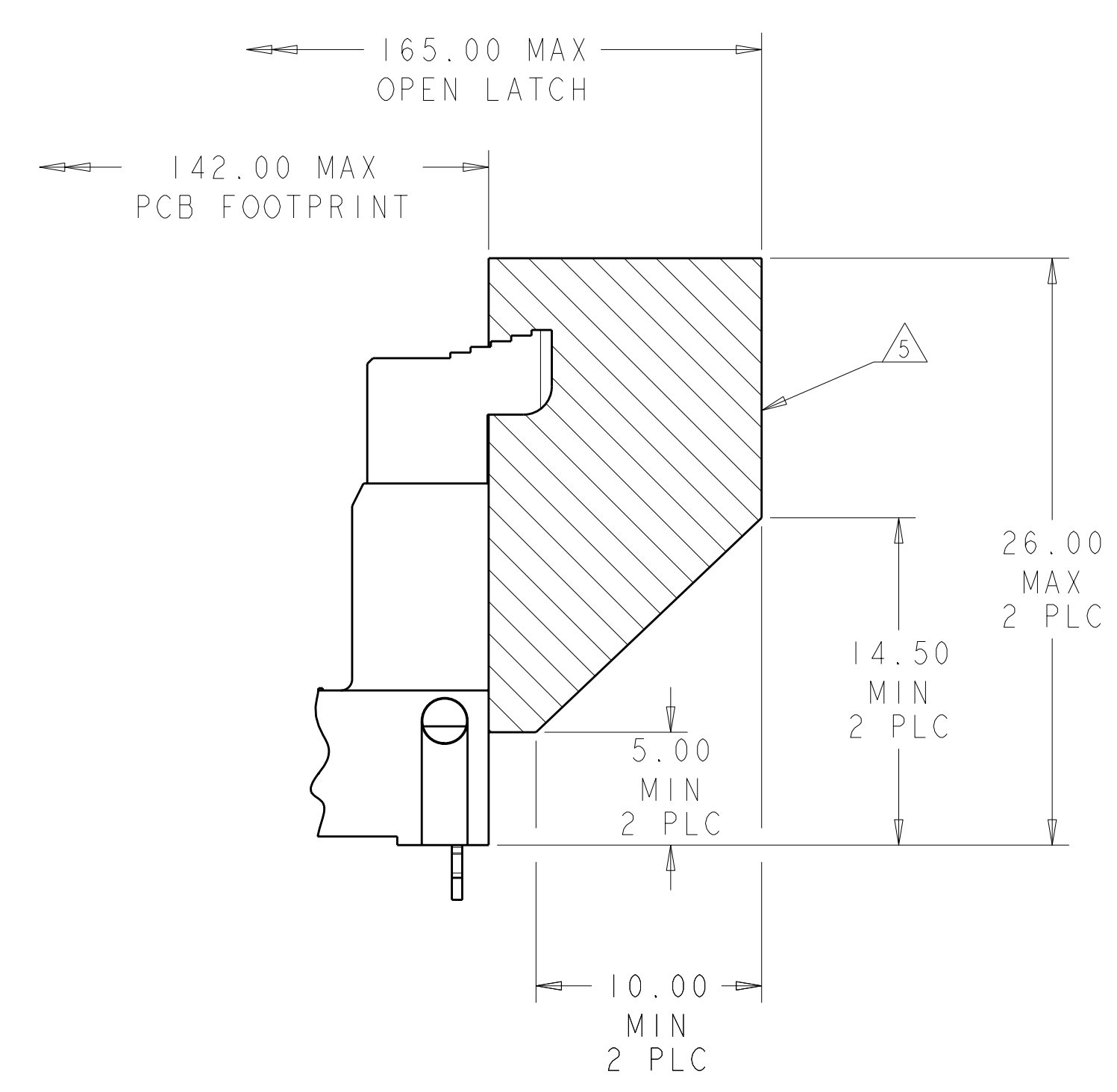


LOC	DIST	REV	DATE	BY	APPD
GP	00	A	20SEP2005	DRR	MY
		B	06DEC2005	DRR	LZ
		B2	12JUL10	D.S.	S.Y



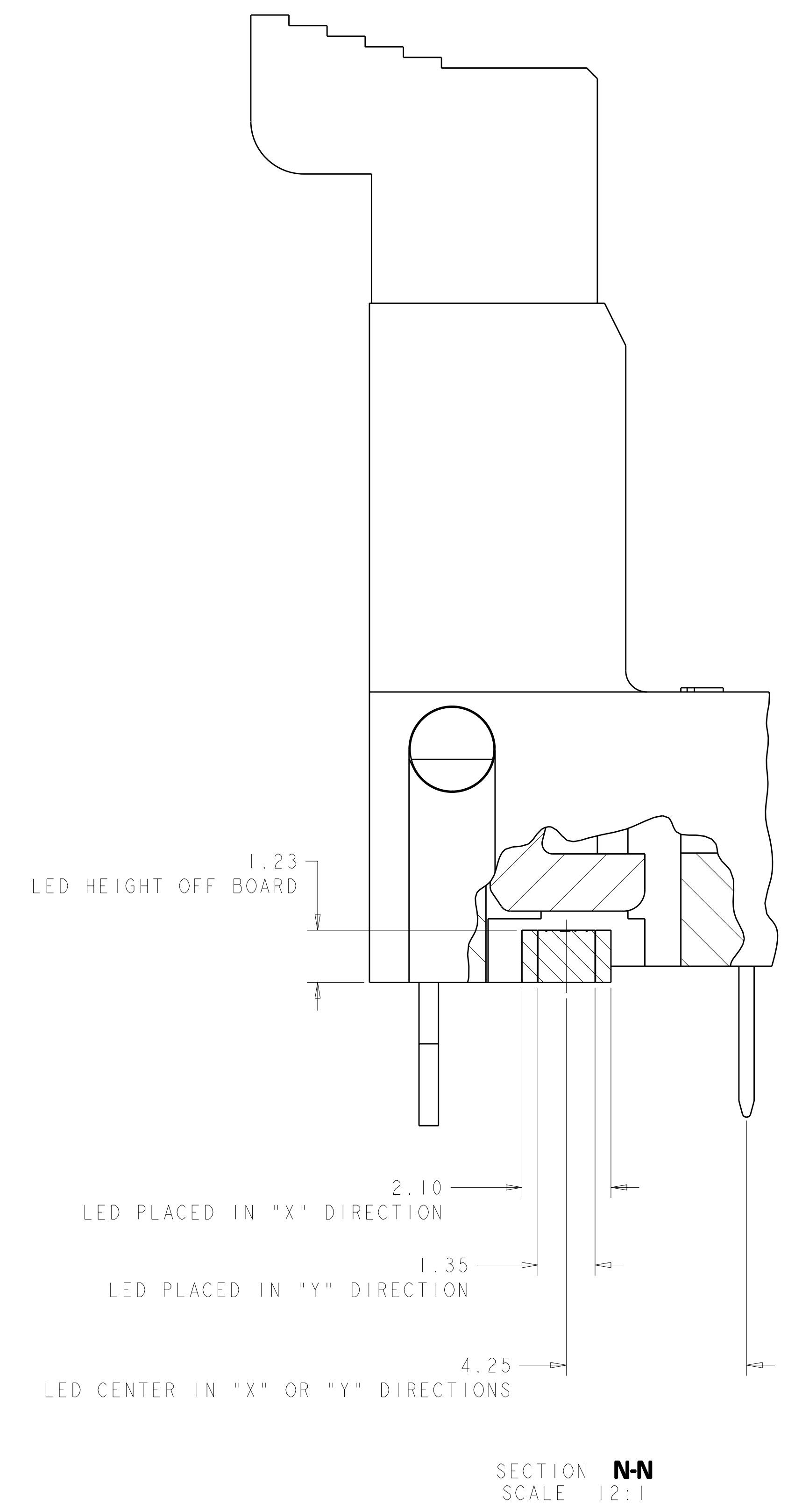
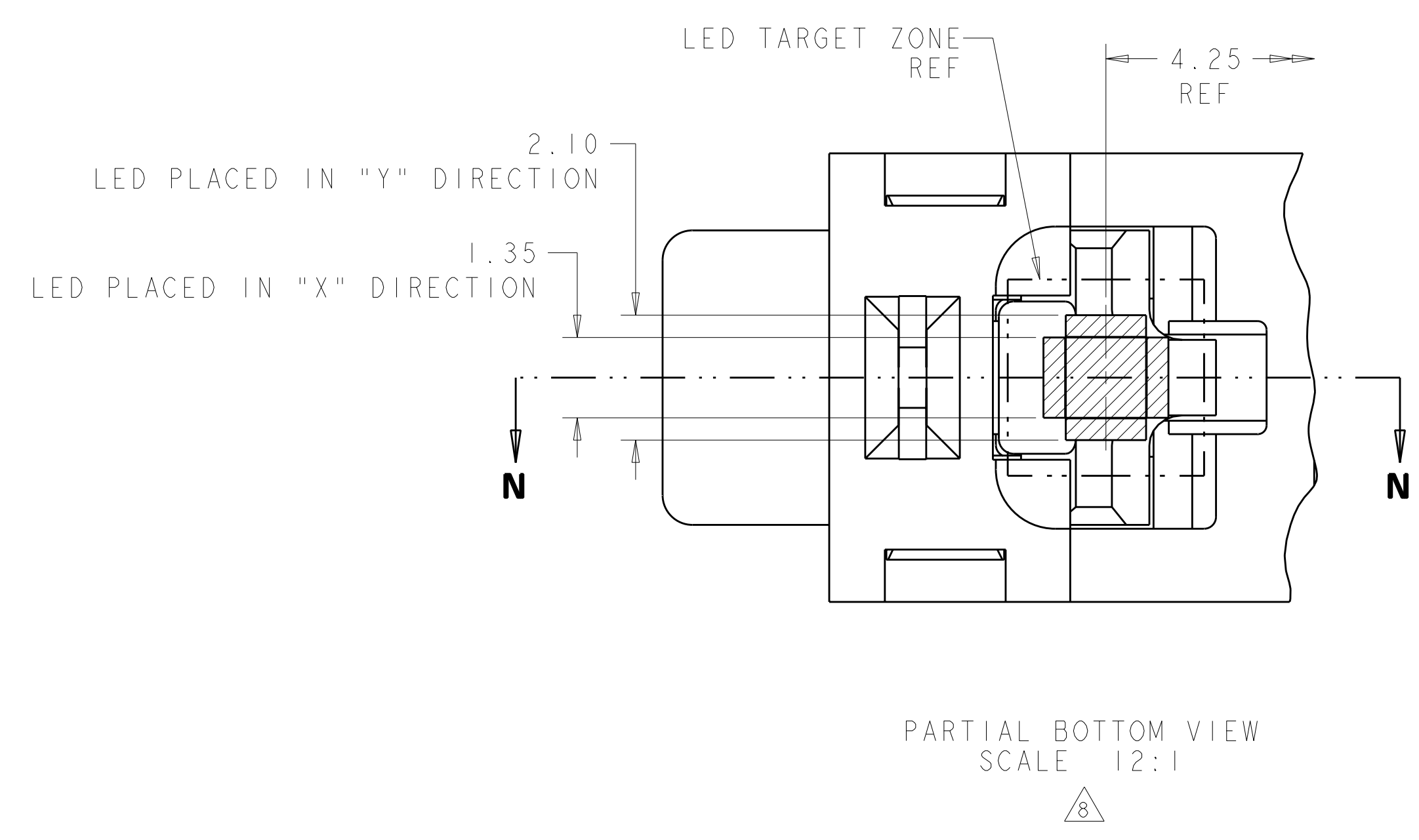
- MATERIALS:**  
 HOUSING: HIGH TEMPERATURE NYLON, BLACK, UL94 V-0  
 EXTRACTOR: HIGH TEMPERATURE THERMOPLASTIC  
 CONTACTS: COPPER ALLOY  
 RETENTION BARB: STAINLESS STEEL
- INTERFACE FINISH:**  
 (1) 0.00076 MIN THK GOLD OVER 0.00127 MIN THK NICKEL  
 (2) 0.00038 MIN THK GOLD OVER 0.00127 MIN THK NICKEL  
 (3) 0.00008 MIN THK GOLD OVER 0.00127 MIN THK NICKEL
- FINISHED HOLE SIZE:** 0.15 MAXIMUM ANNULAR RING.
- KEEP OUT ZONE.**
- KEEP OUT AREA RESERVED FOR SOCKET EXTRACTORS, BOTH ENDS.**
- SOLDERTAIL FINISH:**  
 0.00300 MIN THK BRIGHT TIN-LEAD OVER 0.00127 MIN THK NICKEL.
- SOLDERTAIL FINISH:**  
 0.00300 MIN THK MATTE TIN OVER 0.00127 MIN THK NICKEL.
- LED LOCATION AS APPLICABLE PER CUSTOMER.**
- DATUM -G- IS CONNECTOR SIDE SURFACE OF PCB.**
- OBsolete PARTS:** OBsolete CIS STREAMLINING PER D.RENAUD/D.SINISI



PLC	THK	FINISH	MIN	MAX	PART NUMBER
4	0.00038	MIN	4.00	3.18	2-1761024-4
3	0.00038	MIN	3.18	2.67	2-1761024-3
2	0.00038	MIN	2.67	2.00	2-1761024-2
1	0.00038	MIN	2.00	1.38	2-1761024-1
0	0.00038	MIN	1.38	0.76	2-1761024-0
9	0.00076	MIN	4.00	3.18	1-1761024-9
8	0.00076	MIN	3.18	2.67	1-1761024-8
7	0.00076	MIN	2.67	2.00	1-1761024-7
6	0.00076	MIN	2.00	1.38	1-1761024-6
5	0.00076	MIN	1.38	0.76	1-1761024-5
4	0.00076	MIN	0.76	0.13	1-1761024-4
3	0.00076	MIN	0.13	0.00	1-1761024-3
2	0.00076	MIN	0.00	0.00	1-1761024-2
1	0.00076	MIN	0.00	0.00	1-1761024-1
0	0.00076	MIN	0.00	0.00	1-1761024-0

DIMENSIONS: mm TOLERANCES UNLESS OTHERWISE SPECIFIED: 9 PLC ±0.5 8 PLC ±0.13 5 PLC ±0.013 4 PLC ±0.001 ANGLES ±0.001		DWN: D. RINGLER 11FEB2004 CHK: M. CORRELL 18FEB2004 APPD: M. YEOMANS 20SEP2005 NAME: SOCKET ASSEMBLY, VERTICAL FB DIMM, SOLDER TAIL, 240 POSITION	
MATERIAL: FINISH:		Tyco Electronics Harrisburg, PA 17105-3608 PRODUCT SPEC: 108-2214 APPLICATION SPEC: 114-13154 WEIGHT: CUSTOMER DRAWING	
SCALE: 4:1		SHEET 1 OF 3 REV B2	

LOC	DIST	REVISIONS			
P	LTB	DESCRIPTION	DATE	DWN	APVD
GP	00	SEE SHEET 1	-	-	-

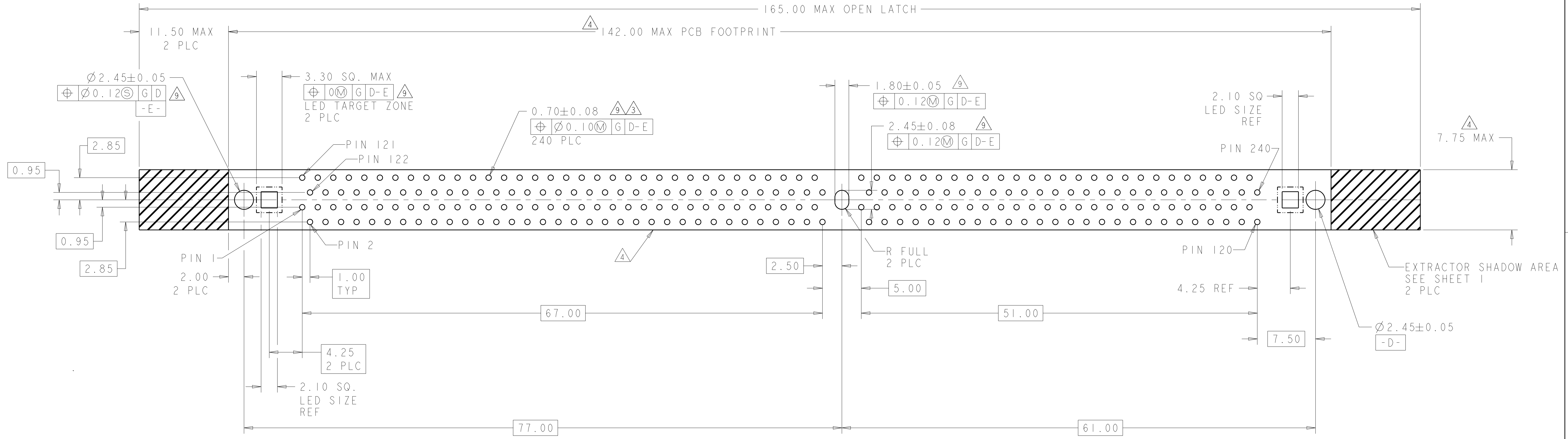


<small>THIS DRAWING IS UNPUBLISHED. RELEASED FOR PUBLICATION 20                  © COPYRIGHT 20 BY TYCO ELECTRONICS CORPORATION. ALL RIGHTS RESERVED.</small>		DWN D. RINGLER 11FEB2004 CHK M. CORRELL 18FEB2004 APVD M. YEOMANS 20SEP2005	Tyco Electronics Harrisburg, PA 17105-3608
DIMENSIONS: mm 	TOLERANCES UNLESS OTHERWISE SPECIFIED: 9 PLC ±.5 2 PLC ±0.13 5 PLC ±0.013 4 PLC ±0.001 ANGLES ±.	NAME SOCKET ASSEMBLY, VERTICAL FB DIMM, SOLDER TAIL, 240 POSITION PRODUCT SPEC 108-2214 APPLICATION SPEC 114-13154 WEIGHT - CUSTOMER DRAWING	SIZE A11 CAGE CODE 00779 DRAWING NO C=1761024 RESTRICTED TO - SCALE 4:1 SHEET 2 OF 3 REV B2

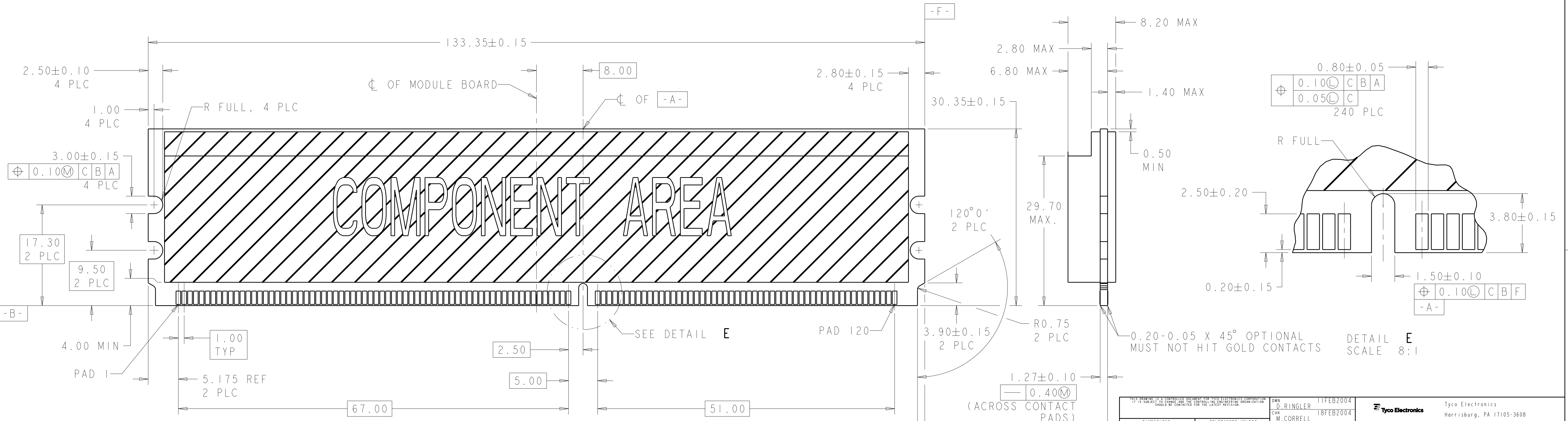
LOC	DIST	REV	DATE	BY	APPD
GP	00				

REVISIONS		DATE	BY	APPD
1	SEE SHEET 1			



RECOMMENDED PCB LAYOUT  
 VIEWED FROM CONNECTOR SIDE



RECOMMENDED MODULE LAYOUT  
 SCALE 3:1

DIMENSIONS: mm		TOLERANCES UNLESS OTHERWISE SPECIFIED: 9 PLC ±0.5 1 PLC ±0.13 5 PLC ±0.13 4 PLC ±0.001 ANGLES ±0.001		DWN: D. RINGLER 11FEB2004 CHK: M. CORRELL 18FEB2004 APVD: M. YEOMANS 20SEP2005		Tyco Electronics Harrisburg, PA 17105-3608	
MATERIAL:		FINISH:		PRODUCT SPEC: 108-2214 APPLICATION SPEC: 114-13154		NAME: SOCKET ASSEMBLY, VERTICAL FB DIMM, SOLDER TAIL, 240 POSITION SIZE: A11 CAGE CODE: 00779 DRAWING NO: C=1761024	
WEIGHT:		FINISH:		WEIGHT:		SCALE: 1:1 SHEET: 3 OF 3 REV: B2	