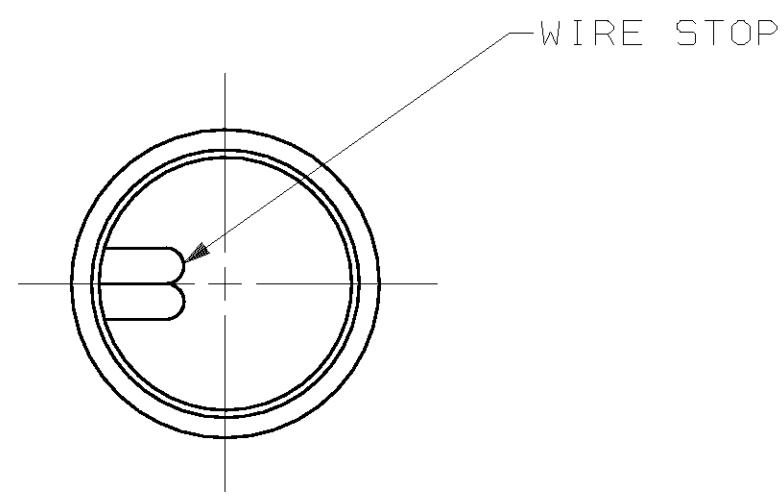
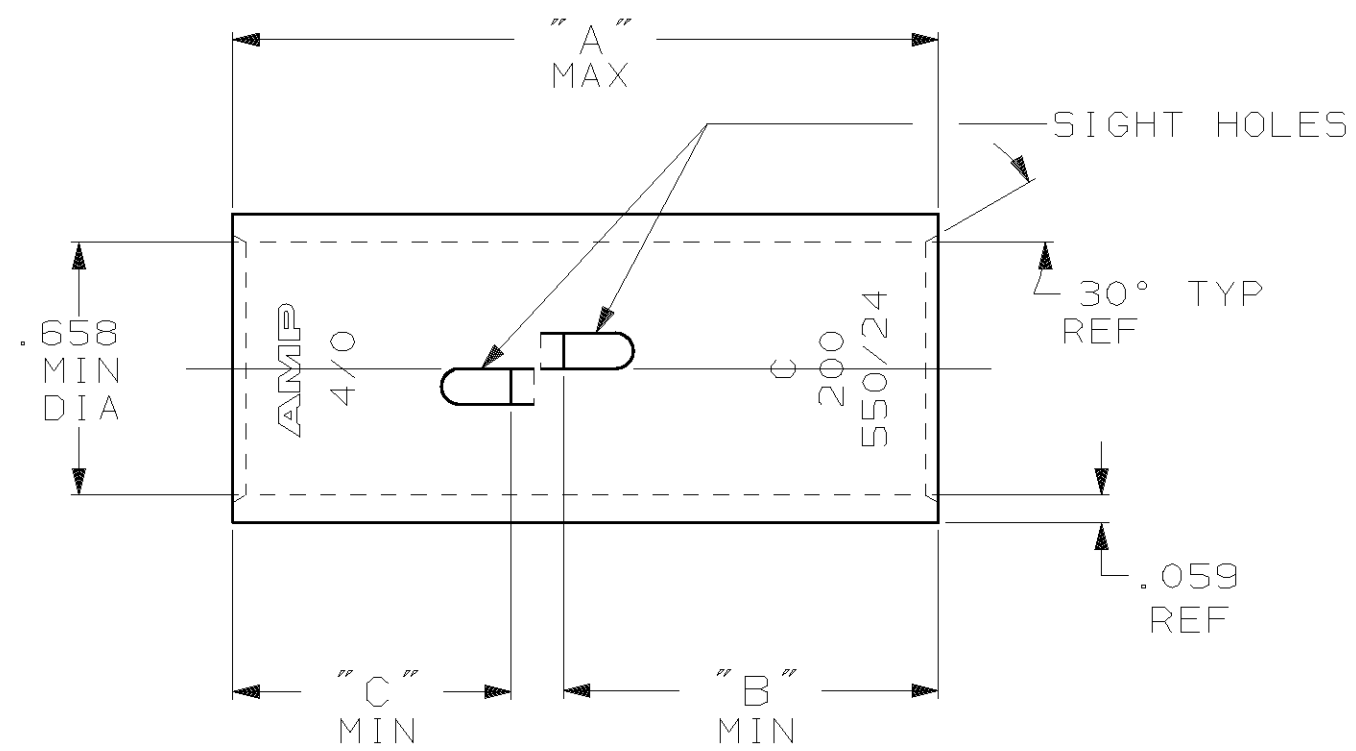


THIS DRAWING IS UNPUBLISHED. RELEASED FOR PUBLICATION, 19
 © COPYRIGHT 19 BY AMP INCORPORATED. ALL INTERNATIONAL RIGHTS RESERVED.

LOC	DIST	P	F	REVISIONS				
G	86			ZONE	LTR	DESCRIPTION	DATE	APPD
					P	REV PER 0G3A-0637-01	030CT02	JR/MS



- ① TIN PL .000150 MIN THK PER ASTM B 545
- ② PART NO: 324461; .071 LB.
PART NO: 1-324461-0; .071 LB.
PART NO: 2-324461-2; .082 LB.
PART NO: 2-324461-3; .082 LB.
- ③ CLEANED, UNPLATED
- ④ PRELIMINARY - NOT FOR PRODUCTION

.72	.97	1.89	190,000-	①	COPPER	2-324461-3
			231,000	③		ASTM-B-75
.72	.72	1.65	CM	③	ANNEALED	④ 1-324461-0
"C"	"B"	"A"	WIRE RANGE	①		324461
				FINISH	MATERIAL	PART NO
DO NOT SCALE PRINT. UNLESS SPECIFIED DIMENSIONS IN INCHES TOLERANCES ON: 2 PLC DEC ± - 3 PLC DEC ± - ANGLES ± -				DR 4/24/89 DK SCHRUM	AMP INCORPORATED Harrisburg, Pa. 17105	
				CHK 4/24/89 MS FEHER		
MATERIAL SEE TABLE				APPD 11/8/89 WJ VOCKROTH	NAME SPLICE, BUTT, AMPPOWER WIRE SIZE: 4/0 AWG	
				APPD 11/8/89 TL SHUTTER		
FINISH SEE TABLE				PRODUCT SPEC -	SIZE B	FSCM NO 00779
				APPLICATION SPEC -	SCALE 2:1	DRAWING NO 324461
WEIGHT ②					SHEET	1 OF 1