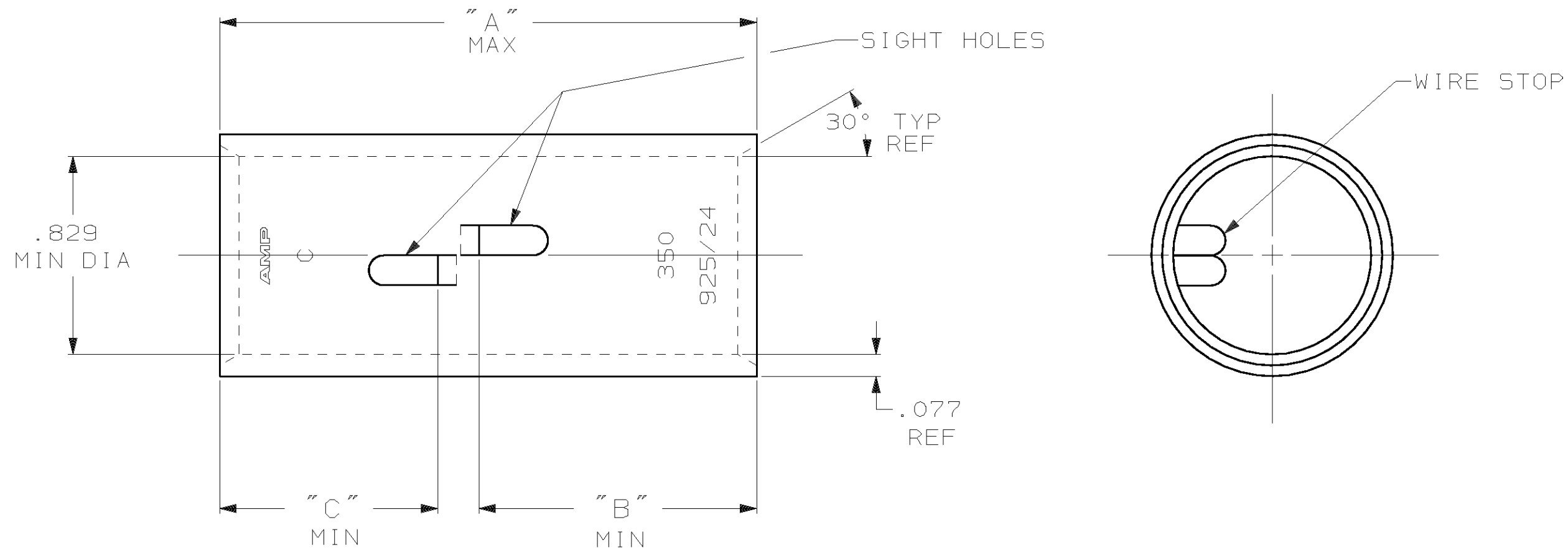


THIS DRAWING IS UNPUBLISHED. RELEASED FOR PUBLICATION, 19
 © COPYRIGHT 19 BY AMP INCORPORATED. ALL INTERNATIONAL RIGHTS RESERVED.

LOC	DIST	P	F	REVISIONS				
G	86			ZONE	LTR	DESCRIPTION	DATE	APPD
					M	REV PER 0G3A-0637-01	030CT02	JR/MS



- 1 TIN PL .000150 MIN THK MIL-T-10727
- 2 PART NO: 324464; .146 LB.
 PART NO: 1-324464-0; .146 LB.
 PART NO: 2-324464-1; .164 LB.
 PART NO: 2-324464-2; .164 LB.

.91	1.16	2.29	CLEANED	325-375 MCM	COPPER ASTM-B-75 ANNEALED	2-324464-2	
.91	.91	2.06	CLEANED			2-324464-1	
"C"	"B"	"A"	FINISH	WIRE RANGE		MATERIAL	1-324464-0
							324464
DO NOT SCALE PRINT. UNLESS SPECIFIED DIMENSIONS IN INCHES TOLERANCES ON:			DR 4/24/89	AMP INCORPORATED Harrisburg, Pa. 17105			
2 PLC DEC ± -			CHK 4/24/89				
3 PLC DEC ± -			MS FEHER	NAME SPLICE, BUTT, AMPPOWER WIRE SIZE: 350 MCM			
ANGLES ± -			APPD 11/8/89				
MATERIAL			WJ VOCKROTH	SIZE B			
SEE TABLE			APPD 11/8/89				
FINISH			TL SHUTTER	FSCM NO 00779			
SEE TABLE			PRODUCT SPEC				
			APPLICATION SPEC	DRAWING NO 324464			
			WEIGHT				
				SCALE 2:1			
				SHEET 1 OF 1			