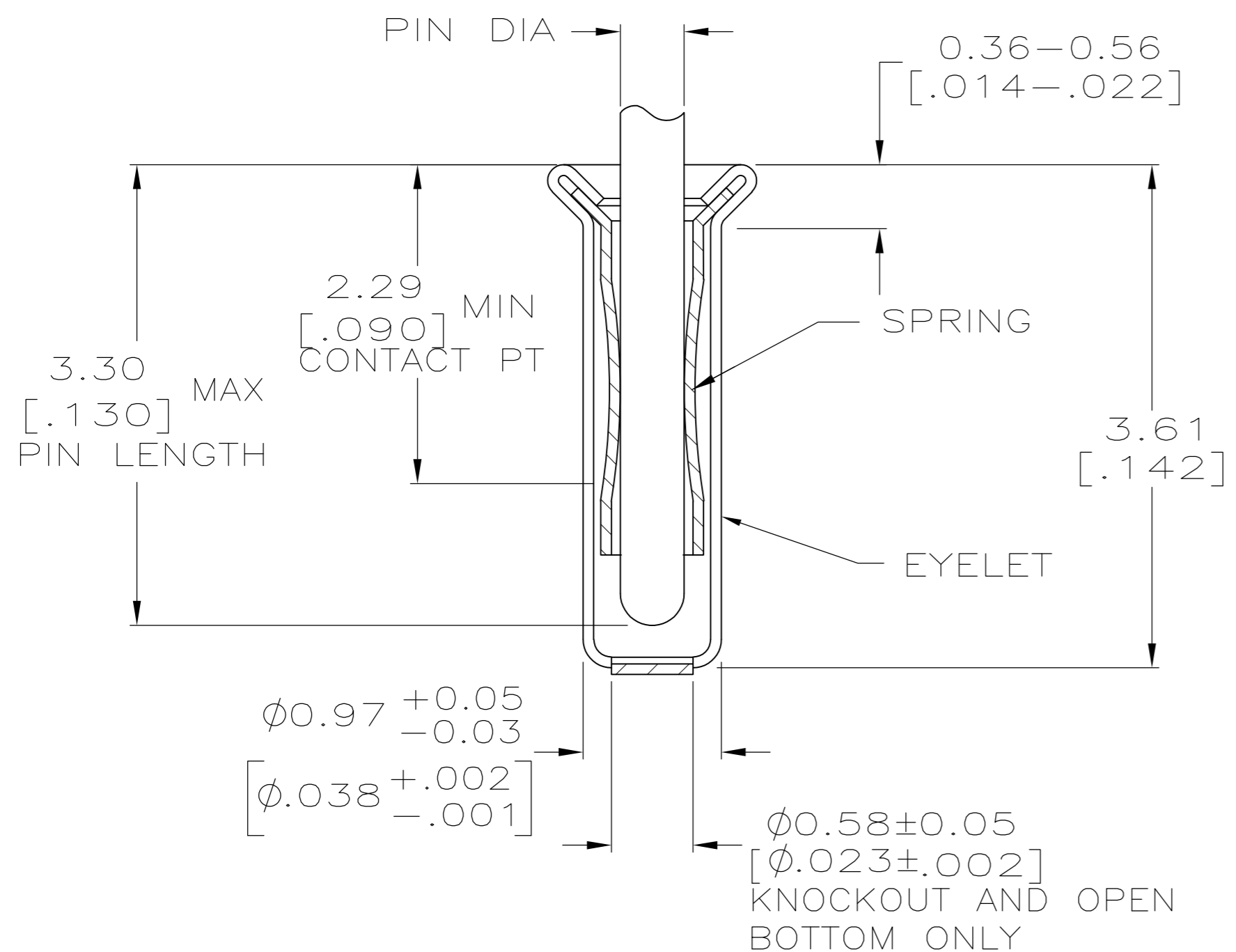
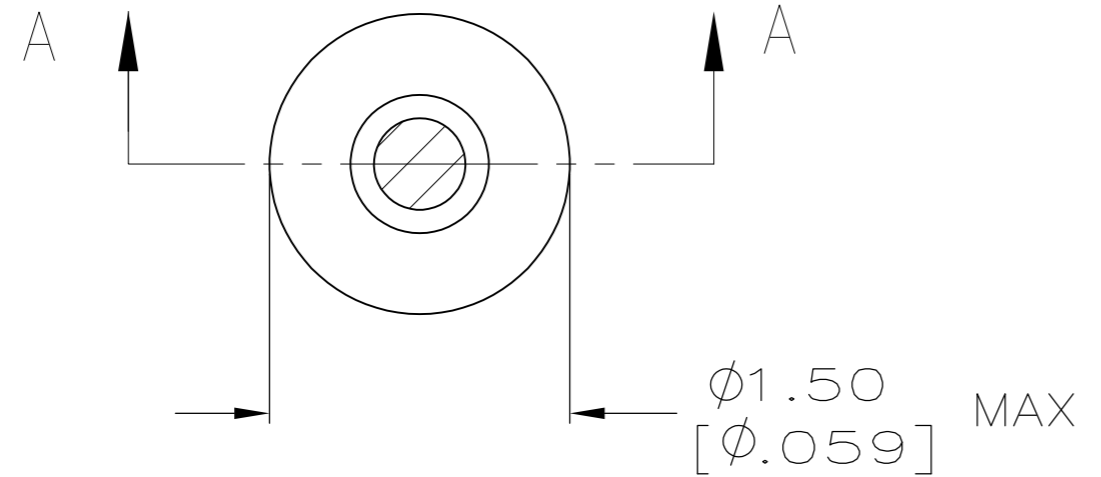


LOC		DIST		REVISIONS			
P	LTR	DESCRIPTION		DATE	DWN	APVD	
	CB3	REVISED PER ECO-06-018765		13APR07	DH	DB	
	CB4	REV PER ECO-09-021826		12JAN10	KK	AEG	



SECTION A-A

9 OBSOLETE PARTS: OBSOLETE CIS STREAMLINING PER D.RENAUD/D.SINISI

- 1 TIN PER MIL-T-10727 OR TIN LEAD .000254 [.000100] MIN THK.
- 2 GOLD PER MIL-G-45204, TYPE II, 0.00076 [.000030] MIN THK OVER NICKEL PER QQ-N-290 0.00028 [.000011] MIN THK ON CONTACT AREA.
- 3 GOLD FLASH PER MIL-G-45204, TYPE II, 0.13µm [.000005] MIN THK. OVER NICKEL PLATE PER QQ-N-290 0.51µm-1.52µm [.000020-.000060] EXT THK.
- 4. RECOMMENDED HOLE SIZE, PLATED OR UNPLATED:
 MACHINE INSERTION: 1.04±0.05 [.041±.002]
 HAND INSERTION: 1.02 +0.10/-0.00 [.040 +.004/-0.000]
- 5. APPLICATION TOOL PART NUMBER:
 MACHINE NO. 682127-2
 INSERTION HEAD NO. 682039-1
- 6 TO INSURE PROPER SPRING TENSION DO NOT EXCEED A 0.10 [.004] DIFFERENCE IN PIN DIA WHEN CHANGING TO A SMALLER PIN.
- 7. BOTTOM PLUG KNOCKOUT TOOL PART NUMBER 69729 WITH TIP PART NUMBER 69728.
- 8 MATERIAL: SPRING: BERYLLIUM COPPER (QQ-C-533)
 EYELET: COPPER (QQ-C-576)

OBSOLETE	CLOSED	0.33-0.51 [.013-.020]	GOLD 3	GOLD 2	9-330808-3
		0.33-0.51 [.013-.020]	TIN 1	TIN 1	9-330808-2
			GOLD 3	GOLD 2	7-330808-5
			TIN 1	TIN 1	7-330808-4
			GOLD 3	GOLD 2	7-330808-3
			TIN 1	TIN 1	7-330808-2
SUPSD BY 5-330808-3	KNOCKOUT	0.46-0.51 [.018-.020]	GOLD 3	GOLD 2	7-330808-1
SUPSD BY 3-330808-8			TIN 1	TIN 1	7-330808-0
9 OBSOLETE			GOLD 3	GOLD 2	6-330808-9
OBSOLETE	OPEN		TIN 1	TIN 1	6-330808-8
OBSOLETE			GOLD 3	GOLD 2	6-330808-7
	CLOSED	0.33-0.51 [.013-.020]	TIN 1	GOLD 2	6-330808-5
OBSOLETE	OPEN	0.25-0.33 [.010-.013]	TIN 1	GOLD 2	5-330808-6
	KNOCKOUT	0.33-0.51 [.013-.020]	TIN 1	GOLD 2	5-330808-4
SUPSD BY 5-330808-3			GOLD 3	GOLD 2	5-330808-3
SUPSD BY 5-5330808-4	CLOSED	0.25-0.33 [.010-.013]	TIN 1	GOLD 2	5-330808-2
			GOLD 3	GOLD 2	5-330808-1
OBSOLETE	OPEN	0.33-0.51 [.013-.020]	GOLD 3	GOLD 2	5-330808-0
OBSOLETE			TIN 1	TIN 1	4-330808-8
OBSOLETE	OPEN	0.25-0.33 [.010-.013]	TIN 1	TIN 1	4-330808-7
OBSOLETE			GOLD 3	GOLD 2	4-330808-6
OBSOLETE	OPEN	0.25-0.33 [.010-.013]	TIN 1	TIN 1	4-330808-5
	KNOCKOUT	0.33-0.51 [.013-.020]	GOLD 3	GOLD 2	4-330808-4
OBSOLETE			TIN 1	TIN 1	4-330808-3
OBSOLETE	OPEN	0.25-0.33 [.010-.013]	GOLD 3	GOLD 2	4-330808-2
	KNOCKOUT	0.33-0.51 [.013-.020]	TIN 1	TIN 1	4-330808-1
			GOLD 3	GOLD 2	4-330808-0
	CLOSED	0.25-0.33 [.010-.013]	TIN 1	TIN 1	3-330808-8
			GOLD 3	GOLD 2	3-330808-7
	OPEN	0.25-0.33 [.010-.013]	TIN 1	TIN 1	3-330808-6
			GOLD 3	GOLD 2	3-330808-5
	CLOSED	0.33-0.51 [.013-.020]	TIN 1	TIN 1	3-330808-4
SUPSD BY 5-330808-0			GOLD 3	GOLD 2	3-330808-3
OBSOLETE	OPEN	0.25-0.33 [.010-.013]	TIN 1	TIN 1	3-330808-2
			GOLD 3	GOLD 2	3-330808-1
			TIN 1	TIN 1	3-330808-0
			GOLD 3	GOLD 2	2-330808-8
			TIN 1	TIN 1	2-330808-7
			GOLD 3	GOLD 2	2-330808-6
			TIN 1	TIN 1	2-330808-5
			GOLD 3	GOLD 2	2-330808-4
			TIN 1	TIN 1	2-330808-3
			GOLD 3	GOLD 2	2-330808-2
			TIN 1	TIN 1	2-330808-1
			GOLD 3	GOLD 2	2-330808-0
			TIN 1	TIN 1	1-330808-8
			GOLD 3	GOLD 2	1-330808-7
			TIN 1	TIN 1	1-330808-6
			GOLD 3	GOLD 2	1-330808-5
			TIN 1	TIN 1	1-330808-4
			GOLD 3	GOLD 2	1-330808-3
			TIN 1	TIN 1	1-330808-2
			GOLD 3	GOLD 2	1-330808-1
			TIN 1	TIN 1	1-330808-0
			GOLD 3	GOLD 2	0-330808-8
			TIN 1	TIN 1	0-330808-7
			GOLD 3	GOLD 2	0-330808-6
			TIN 1	TIN 1	0-330808-5
			GOLD 3	GOLD 2	0-330808-4
			TIN 1	TIN 1	0-330808-3
			GOLD 3	GOLD 2	0-330808-2
			TIN 1	TIN 1	0-330808-1
			GOLD 3	GOLD 2	0-330808-0
			TIN 1	TIN 1	0-330808-8
			GOLD 3	GOLD 2	0-330808-7
			TIN 1	TIN 1	0-330808-6
			GOLD 3	GOLD 2	0-330808-5
			TIN 1	TIN 1	0-330808-4
			GOLD 3	GOLD 2	0-330808-3
			TIN 1	TIN 1	0-330808-2
			GOLD 3	GOLD 2	0-330808-1
			TIN 1	TIN 1	0-330808-0
			GOLD 3	GOLD 2	0-330808-8
			TIN 1	TIN 1	0-330808-7
			GOLD 3	GOLD 2	0-330808-6
			TIN 1	TIN 1	0-330808-5
			GOLD 3	GOLD 2	0-330808-4
			TIN 1	TIN 1	0-330808-3
			GOLD 3	GOLD 2	0-330808-2
			TIN 1	TIN 1	0-330808-1
			GOLD 3	GOLD 2	0-330808-0
			TIN 1	TIN 1	0-330808-8
			GOLD 3	GOLD 2	0-330808-7
			TIN 1	TIN 1	0-330808-6
			GOLD 3	GOLD 2	0-330808-5
			TIN 1	TIN 1	0-330808-4
			GOLD 3	GOLD 2	0-330808-3
			TIN 1	TIN 1	0-330808-2
			GOLD 3	GOLD 2	0-330808-1
			TIN 1	TIN 1	0-330808-0
			GOLD 3	GOLD 2	0-330808-8
			TIN 1	TIN 1	0-330808-7
			GOLD 3	GOLD 2	0-330808-6
			TIN 1	TIN 1	0-330808-5
			GOLD 3	GOLD 2	0-330808-4
			TIN 1	TIN 1	0-330808-3
			GOLD 3	GOLD 2	0-330808-2
			TIN 1	TIN 1	0-330808-1
			GOLD 3	GOLD 2	0-330808-0

THIS DRAWING IS A CONTROLLED DOCUMENT.		DWN	4-5-91	Tyco Electronics Corporation	
DIMENSIONS: mm [INCHES]		CHK	8-22-91	Harrisburg, PA 17105-3608	
TOLERANCES UNLESS OTHERWISE SPECIFIED:		APVD	8-22-91	MINIATURE SPRING SOCKET ASSEMBLY	
0 PLC ± -		PRODUCT SPEC		-	
1 PLC ± -		APPLICATION SPEC		-	
2 PLC ± -		WEIGHT	-	-	
3 PLC ± 0.20 [.008]		CUSTOMER DRAWING		-	
4 PLC ± -		SCALE	20:1	-	
ANGLES ± -		SHEET	1 of 1	-	
FINISH SEE TABLE		REV	CB4	-	