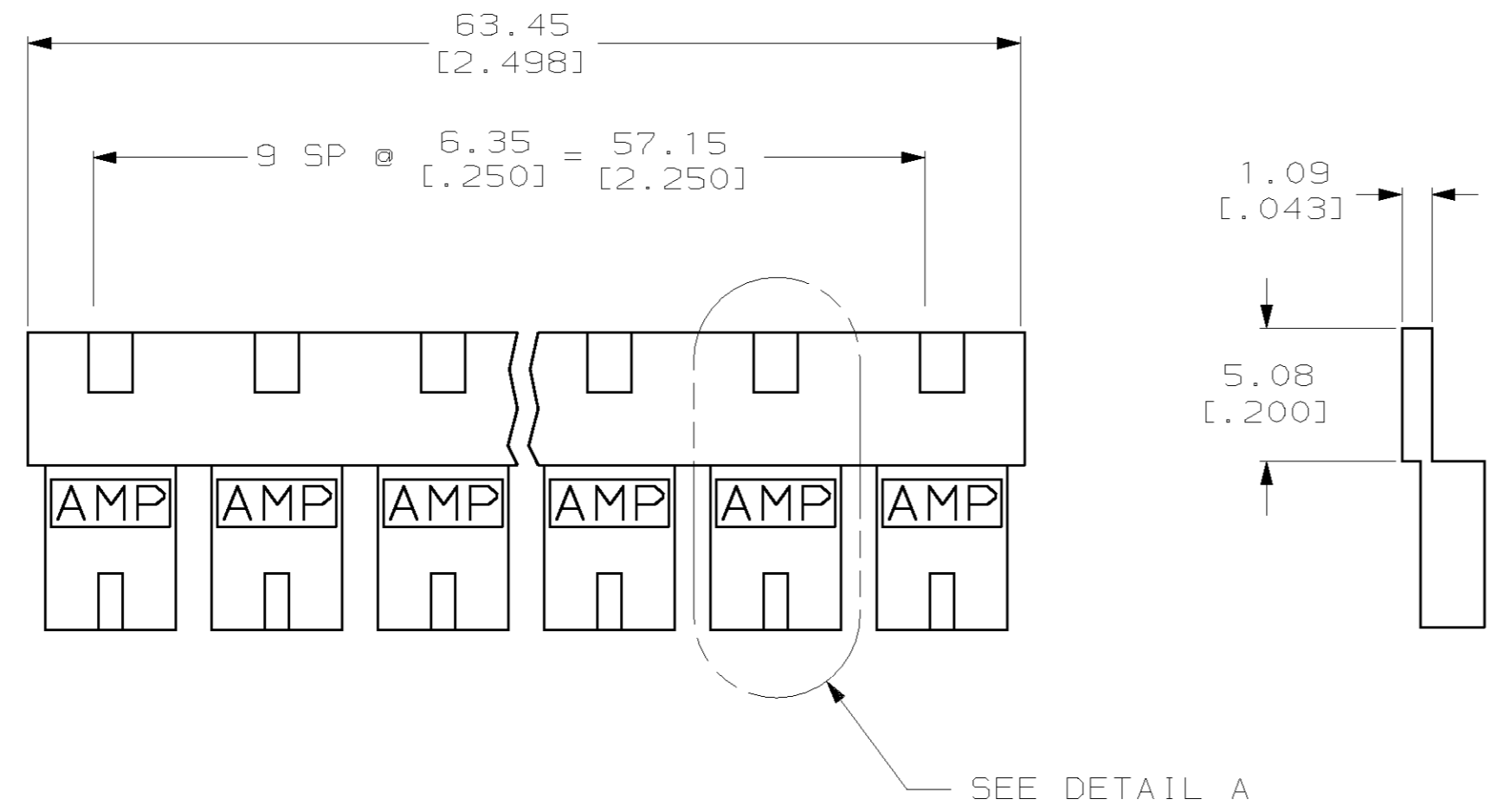
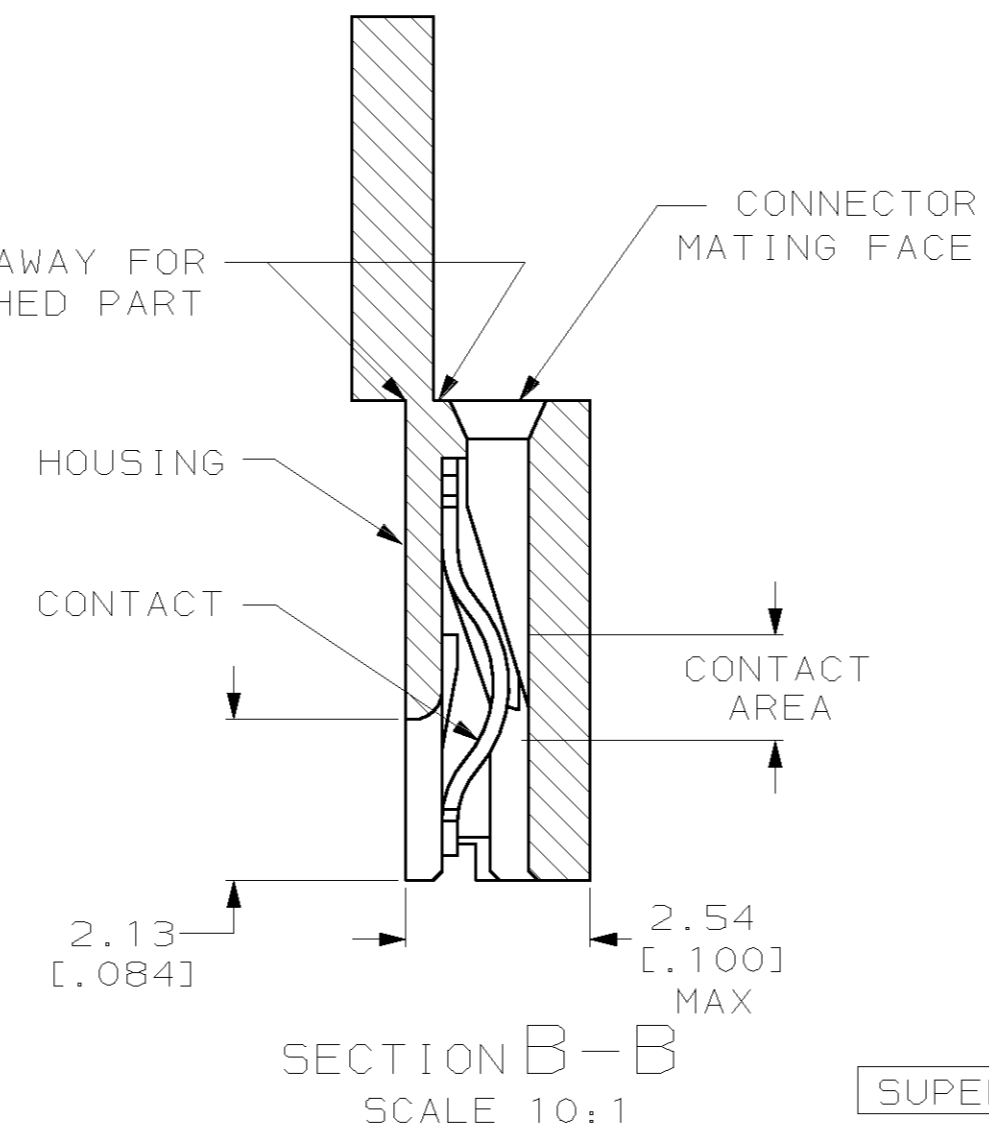
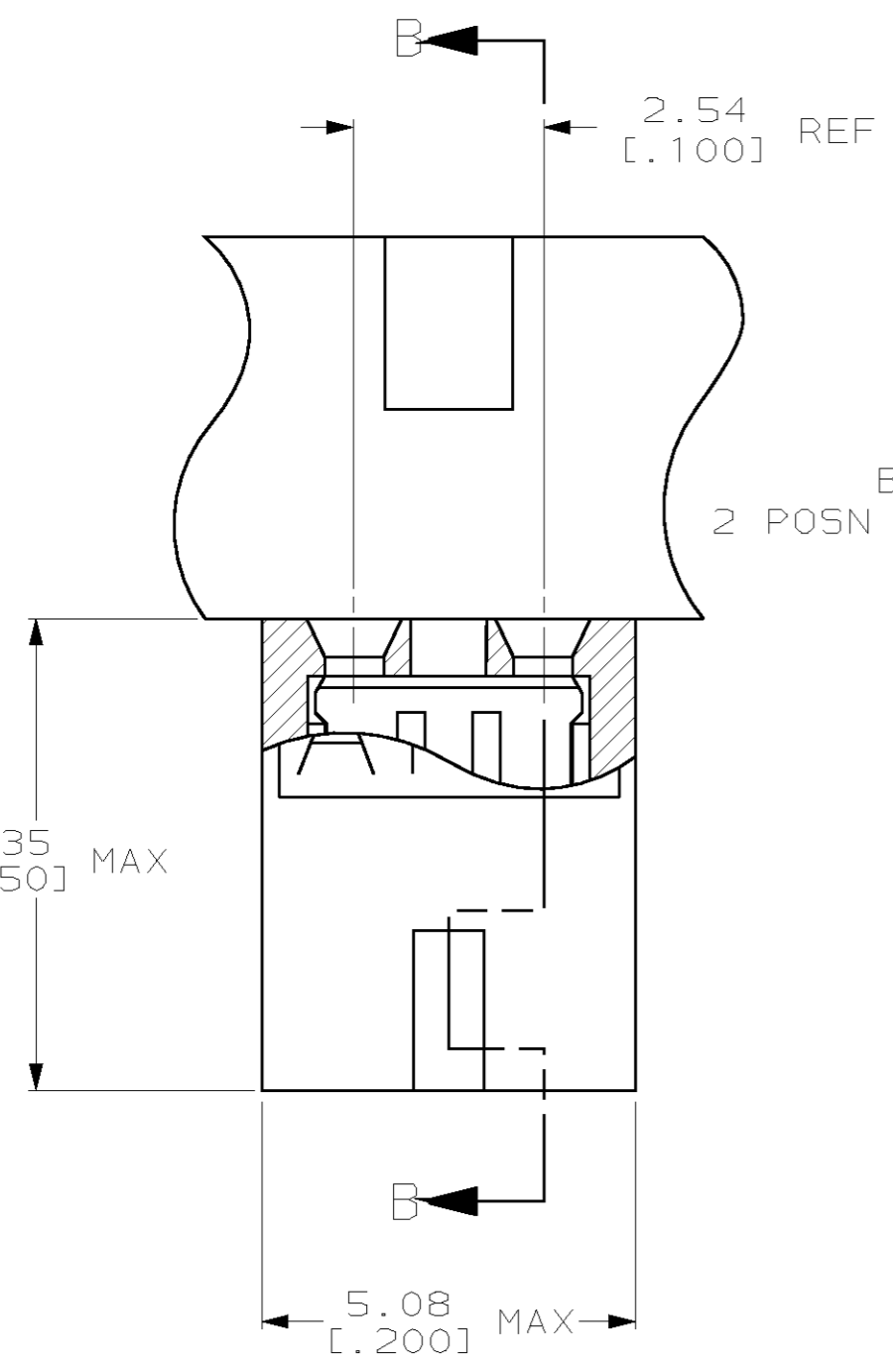


THIS DRAWING IS UNPUBLISHED. RELEASED FOR PUBLICATION .19
 © COPYRIGHT 19 BY AMP INCORPORATED. ALL RIGHTS RESERVED.

LOC	DIST	REVISIONS			
P	LTR	DESCRIPTION	DATE	DWN	APVD
AG	53	REV PER 063C-0653-04	18JAN05	RB	MM



- ① MATERIAL:
HOUSING: GLASS-FILLED POLYESTER, COLOR-SEE TABLE.
- ② CONTACT PLATED WITH 0.00254 [.000100] TIN-LEAD OVER ALL.
- ③ CONTACT PLATED WITH 0.00038 [.000015] GOLD IN CONTACT AREA OVER 0.00127 [.000050] NICKEL OVER ALL.
- ④ PART NO. DENOTES INDIVIDUAL TWO POSITION SHUNT, WHICH IS PACKAGED ON BREAKAWAY COMBS OF TEN SHUNTS.
- 5. CONNECTOR MATES WITH WIRE WRAP POSTS, 0.64 [.025] SQUARE OR ROUND AND 0.56 [.022] X 0.66 [.026] POSTS. LENGTH 5.08 [.200] MINIMUM.
- ⑥ CONTACT PLATED WITH 0.00013 [.000005] GOLD IN CONTACT AREA OVER 0.00127 [.000050] NICKEL OVER ALL.
- ⑦ PART NO. DENOTES INDIVIDUAL TWO POSITION SHUNT WHICH IS PACKAGED LOOSE PIECE.
- ⑧ CONTACT PLATED WITH 0.00076 [.000030] GOLD IN CONTACT AREA OVER 0.00127 [.000050] NICKEL OVER ALL.
- ⑨ CONTACT PLATED WITH 0.00254 [.000100] MATTE TIN OVER ALL.



CONTACT MATERIAL	HOUSING COLOR	FINISH	PART NO
PHOSPHOR BRONZE	BLACK	⑨	2-382811-1
	BLACK	⑧	2-382811-0
	BLACK	⑥	1-382811-8
PHOSPHOR BRONZE	BLACK	③	1-382811-6
	BLACK	③	1-382811-0
	RED	③	382811-9
	BLACK	⑥	382811-8
	BLACK	③	382811-6
	BLACK	②	382811-5
	BLUE	⑥	382811-4
BLUE	③	382811-2	
BLUE	②	382811-1	

OBSOLETE
 SUPERSEDED BY 382811-2
 OBSOLETE

THIS DRAWING IS A CONTROLLED DOCUMENT.		DWN W. SORAH 8-18-93	AMP Incorporated Harrisburg, PA 17105-3608
DIMENSIONS: mm [INCHES]		CHK R. TALLEY 8-23-93	
TOLERANCES UNLESS OTHERWISE SPECIFIED: 0 PLC ± 1 PLC ± 2 PLC ±0.26 [.0103] 3 PLC ± 4 PLC ± ANGLES ±		APVD D. HUFFMAN 8-23-93	NAME
MATERIAL HOUSING: --- ① CONTACT: SEE TABLE		PRODUCT SPEC 108-1476	ECONOMY SHUNT ASSEMBLY
FINISH SEE TABLE		APPLICATION SPEC 114-1059	RESTRICTED TO
CUSTOMER DRAWING		WEIGHT -	SIZE A2
		SCALE 4:1	CAGE CODE 00779
		SHEET 1 OF 1	DRAWING NO 382811
		REV K	